

Multimeters & Panel Meters

YS-80 Series Moving Coil Meters

Detailed product specifications are available on: us.100y.com.tw

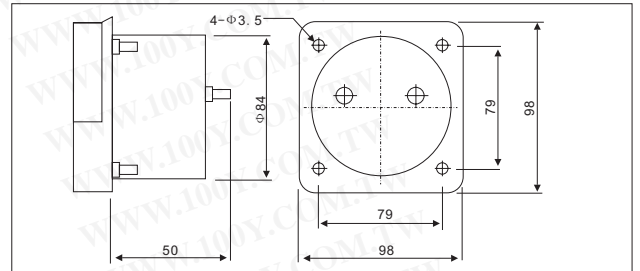
Part No.	Product No.	Description	Install way	L(A)*W(B)(mm)	Measure range
20134	YS-80-DC-1A	DC Long Scale Switchboard Meter	Panel Mounting	81*81mm	DC1A
39810	YS-80-DC-20V	DC Long Scale Switchboard Meter	Panel Mounting	81*81mm	DC20V
20137	YS-80-DC-30V	DC Long Scale Switchboard Meter	Panel Mounting	81*81mm	DC30V
20133	YS-80-DC-3A	DC Long Scale Switchboard Meter	Panel Mounting	81*81mm	DC3A
20136	YS-80-DC-50V	DC Long Scale Switchboard Meter	Panel Mounting	81*81mm	DC50V

YS-10 Series Moving Coil Meters

Detailed product specifications are available on: us.100y.com.tw



Item	Range	Class
AC-A	1A ~ 50A	1.5
AC-A	1A ~ 5A	1.5
AC-V	150V ~ 600V	1.5
AC-V	1V ~ 600V	1.5
DC-A	50μA ~ 50A	1.5
DC-V	30mV ~ 600V	1.5
RPM	50 ~ 6000	1.5
H.Z	45 ~ 65	1.5



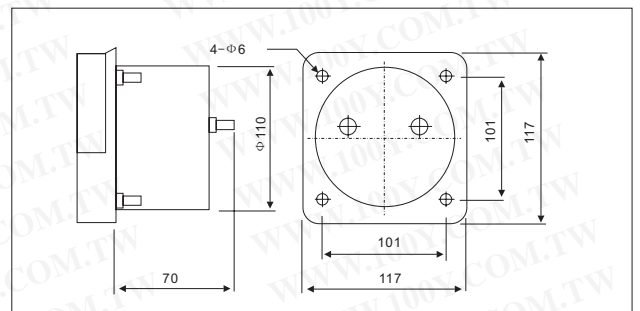
Part No.	Product No.	Description	L(A)*W(B)(mm)	Measure range	Install way
17897	YS-10-AC100A	AC Long Scale Switchboard Meter	100*100mm	AC-100A	600W/DC, 1200W/AC

YS-120 Series Moving Coil Meters

Detailed product specifications are available on: us.100y.com.tw



Item	Range	Class
AC-A	1A ~ 60A	1.5
AC-A	1A ~ 5A	1.5
AC-V	150V ~ 600V	1.5
AC-V	1V ~ 600V	1.5
DC-A	50μA ~ 60A	1.5
DC-V	30mV ~ 600V	1.5
RPM	50 ~ 6000	1.5
H.Z	45 ~ 65	1.5
K.W	1Φ ~ 3Φ	1.5
P.F (COS θ)	1Φ ~ 3Φ	1.5



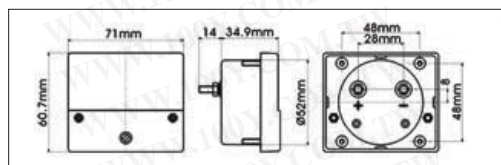
Part No.	Product No.	Description	Install way	L(A)*W(B)(mm)	Measure range
12133	YS-12	Long Scale Switchboard Meter	Panel Mounting	120mm*120mm	600W/DC, 1200W/AC

YS-670 Series Moving Coil Meters

Detailed product specifications are available on: us.100y.com.tw



Part No.	Product No.	Description	Install way	L(A)*W(B)(mm)	Measure range
12347	670-AC-10A	AC Long Scale Switchboard Meter	Panel Mounting	60*70mm	AC10A
9247	670-AC-150V	AC Long Scale Switchboard Meter	Panel Mounting	60*70mm	AC 0-150V



Part No.	Product No.	Description	Install way	L(A)*W(B)(mm)	Measure range
45647	670-AC-20A	AC Long Scale Switchboard Meter	Panel Mounting	60*70mm	AC 0~20A



Part No.	Product No.	Description	Install way	L(A)*W(B)(mm)	Measure range
9244	670-AC-300V	AC Long Scale Switchboard Meter	Panel Mounting	60*70mm	AC 0~300V

