

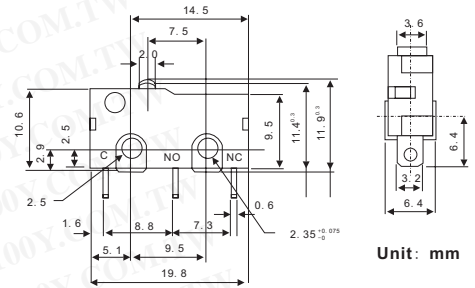
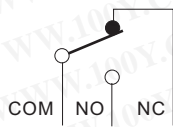
Switches & Control Gear

Miniature Micro Switch

Detailed product specifications are available on: us.100y.com.tw



SCHE. MATIC



Part No.	Product No.	Description	A/VAC
6666	SM-00	Micro Switch	3A/125/250Vac



Part No.	Product No.	Description	A/VAC
31358	SM1-0504A	Micro Switch	5A/125/250Vac
39924	SM2-0305A	Micro Switch	3A/125/250Vac
30920	SM2-0500AA	Micro Switch	5A/125/250Vac
32099	SM2-0501A	Micro Switch	5A/125/250Vac
39539	SM2-0503A	Micro Switch	5A/125/250Vac
39582	SM2-0511A	Micro Switch	5A/125/250Vac



- Economical, subminiature snap action switch offers long service life(30 million operations minimum)
- All models are free from overtravel restrictions permit easy setting
- Wide switching capacity range from microvoltage/current loads (1mA at 5 VDC to high-capacity loads 10. 1A at 250VAC)
- Standard operating force, low force or super-low force models available

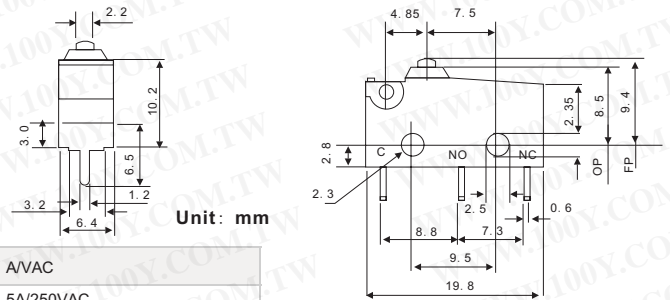
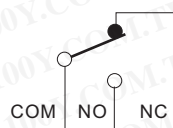
Part No.	Product No.	Manufacturer	Description	A/VAC
50495	SS-01GL13-E	OMRON	Micro Switch	0.1A/125Vac , 0.1A/30Vdc



Part No.	Product No.	Manufacturer	Description	A/VAC
40906	SS-5-F	OMRON	Snap Action Switch	5A/125Vac 3A/250Vac
40008	SS-5GL-F	OMRON	Snap Action Switch	5A/125Vac 3A/250Vac
16921	SS-5GL2	OMRON	Snap Action Switch	5A/125Vac 3A/250Vac



SCHE. MATIC



Part No.	Product No.	Description	A/VAC
48493	SW5-00N	Micro Switch-Water Proof Type	5A/250VAC

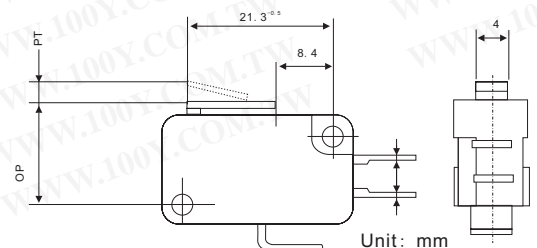


Part No.	Product No.	Description	A/VAC
13195	V-105-1A5	Micro Switch	125VDC/0.3-0.6A



OF	
RF min	
PT max	1.5mm
OT min	0.6mm
MD max	0.5mm
OP	15.3+/-0.5mm

Part No.	Product No.	Description	A/VAC
10642	VM-01	Micro Switch	3A 125/250VAC



T E L : Taiwan: 886-3-5753170
 F A X : Taiwan: 886-3-5753172
 E-mail: Taiwan: us_sale@100y.com.tw

Shenzhen: 86-755-83298787
 Shenzhen: 86-755-83640655
 Shenzhen: 100y@163.com

Shanghai: 86-21-54151736
 Shanghai: 86-21-64605107
 Shanghai: 100y-1@163.com