

# Switches & Control Gear

## Micro Switch

Detailed product specifications are available on: [us.100y.com.tw](http://us.100y.com.tw)

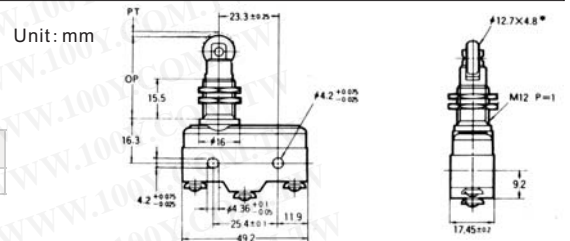


### FEATURES

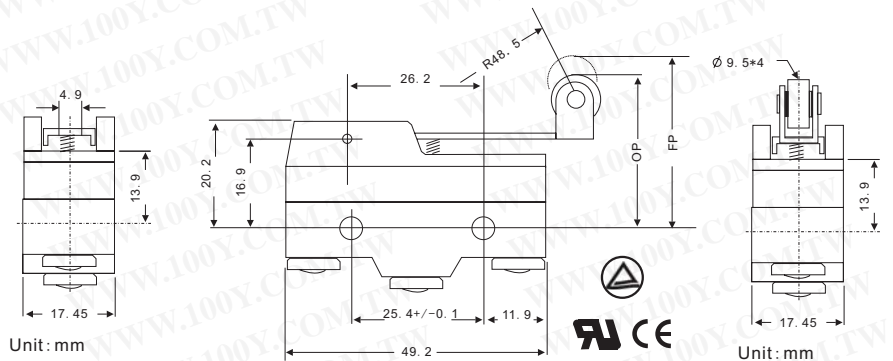
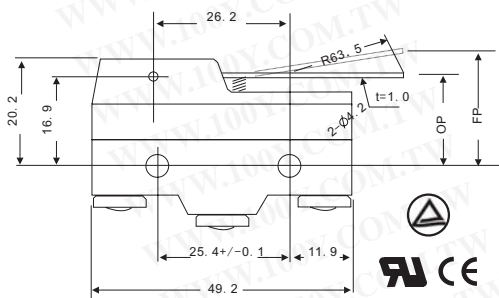
- Wide variety of actuators
- Wide operating speed range
- High precision

Operating speed	0.01mm~1m/sec(push button type)
Operating frequency	Mechanically: 240 operations/min electrically: 20 operations/min
Contact resistance	15mmΩ max
Insulation resistance	100MΩ min (at 500VDC)
Vibration	10~55Hz, double amplitude 1.5mm
Ambient temperature	general purpose type: -25°C to +65°C
Ambient humidity	general purpose type: 85%RH max General purpose type: +5° to +35°C
Weight	Approx: 7.2-8g

Part No.	Product No.	Manufacturer	Description	A/VAC
6530	TM-1308	TEND	Micro Switch	15A/125/250Vac



Operating speed	0.01mm~1m/sec(push button type)
Operating frequency	Mechanically: 240 operations/min electrically: 20 operations/min
Contact resistance	15mmΩ max
Insulation resistance	100MΩ min (at 500VDC)
Vibration	10~55Hz, double amplitude 1.5mm
Ambient temperature	general purpose type: -25°C to +65°C
Ambient humidity	general purpose type: 85%RH max General purpose type: +5° to +35°C
Weight	Approx: 7.2-8g



Part No.	Product No.	Manufacturer	Description	A/VAC
40794	TM-1701	TEND	Micro Switch	15A/125/250Vac
40795	TM-1703	TEND	Micro Switch	15A/125/250Vac

### Characteristics



V-10-1A4



V-115-1A4

Operating speed	0.1 mm to 1 m/s (pin plunger models)
Operating frequency	Mechanical:600 operations/min max. Electrical:30 operations/min max.
Insulation resistance	100 MΩ min. (at 500 VDC)
Contact resistance (initial value)	15 mΩ max.
Dielectric strength (see note 2)	1,000 VAC, 50/60 Hz for 1 min between terminals of the same polarity V-21, V-16, and V-11 models: 2,000 VAC, 50/60 Hz for 1 min between current-carrying metal parts and ground, and between each terminal and non-current-carrying metal parts V-15 and V-10 models: 1,500 VAC, 50/60 Hz for 1 min between current-carrying metal parts and ground, and between each terminal and non-current-carrying metal parts
Vibration resistance (see note 3)	Malfunction: 10 to 55 Hz, 1.5-mm double amplitude
Ambient operating temperature	-25°C to 80°C (at ambient humidity of 60% max.) (with no icing) -25°C to 150°C for heat-resistive model (at ambient humidity of 60% max.) (with no icing)
Ambient operating humidity	85% max. (for 5°C to 35°C)
Weight	Approx. 6.2 g (pin plunger models)

