

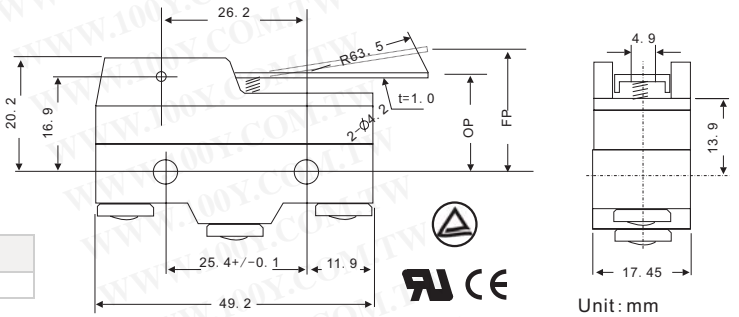
Switches & Control Gear

Micro Switch

Detailed product specifications are available on: us.100y.com.tw



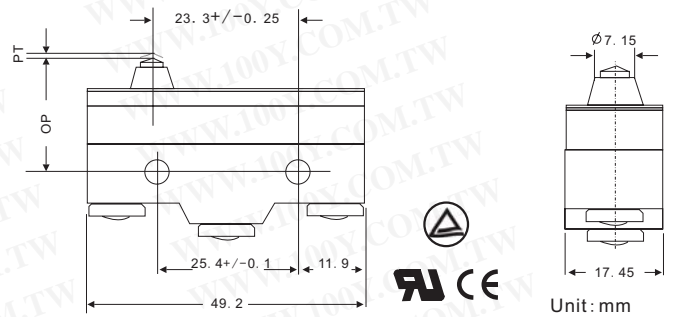
OF	70 g
RF min	14 g
PT max	10mm
OT min	5.6mm
MD max	1.27mm
OP	19+/-0.8mm
15A 125VAC or 250VAC	



Part No.	Product No.	Description	A/VAC
8368	5104	HIGHLY_Micro Switch	15A/125/250Vac



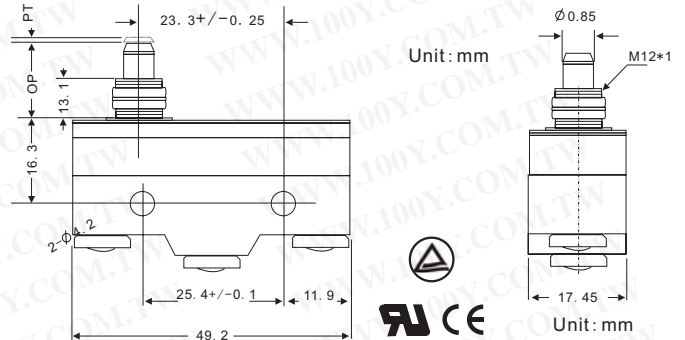
OF	250-350 g
RF min	114 g
PT max	0.4mm
OT min	1.6mm
MD max	0.05mm
OP	21.5+/-0.5mm
15A 125VAC or 250VAC	



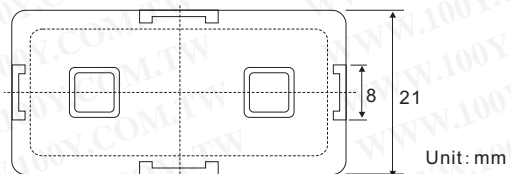
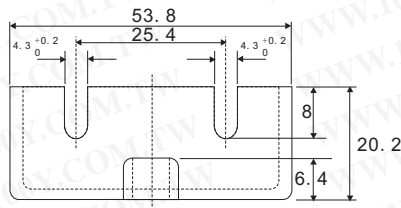
Part No.	Product No.	Description	A/VAC
3552	5105	Micro Switch	15A/125/250Vac



OF	250-350 g
RF min	114 g
PT max	0.4mm
OT min	5.5mm
MD max	0.05mm
OP	21.8+/-0.8mm
15A 125VAC or 250VAC	



Part No.	Product No.	Description	A/VAC
7703	5106	Micro Switch	15A/125/250Vac



Part No.	Product No.	Manufacturer	Description
51339	AP-B	OMRON	AP-B

Part No.	Product No.	Manufacturer	Description	A/VAC
51127	D4MC-2020	OMRON	Enclosed Switch	10A/250VAC,0.5A/125VDC



Part No.	Product No.	Manufacturer	Description
39035	SHL-Q2155	OMRON	Enclosed Switch
19484	SHL-Q2255	OMRON	Enclosed Switch

- We provide a wide range of products to development and maintenance engineers in all type of business
- If you cannot find the components you want on the catalogue, please call us.

Taiwan: 886-3-5753170
Shanghai: 021-54151736 Shenzhen: 0755-83298787

Centenary Materials
Waiting for your phone call



T E L : Taiwan: 886-3-5753170
F A X : Taiwan: 886-3-5753172
E-mail: Taiwan: us_sale@100y.com.tw

Shenzhen: 86-755-83298787
Shenzhen: 86-755-83640655
Shenzhen: 100y@163.com

Shanghai: 86-21-54151736
Shanghai: 86-21-64605107
Shanghai: 100y-1@163.com