

# Switches & Control Gear

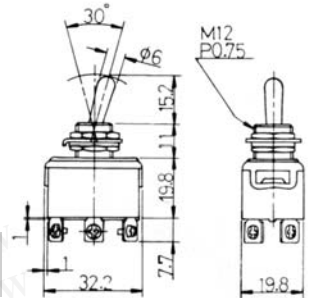
## Toggle Switch

Detailed product specifications are available on: [us.100y.com.tw](http://us.100y.com.tw)



Rating: AC 125V 15A 250V 10A  
 Contact R.:50mΩ Max.  
 Insulation R.:DC500V 100MΩ Min.  
 Dielectric Strength : AC 1000V 1 minute.  
 Operating Temperature : -20°C~+65°C  
 Electrical Life :50,000 make-and-break cycles at full load.

Unit: mm

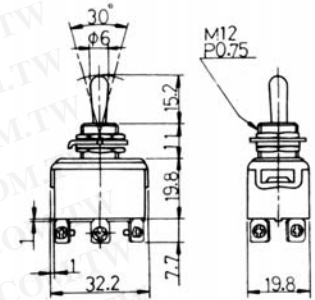


| Part No. | Product No. | Description   | No. of Pos. | Volt./Current | Type  |
|----------|-------------|---------------|-------------|---------------|-------|
| 7745     | 6327N-6P2   | Toggle Switch | 6P2         | 10A/250Vac    | ON-ON |



Rating: AC 125V 15A 250V 10A  
 Contact R.:50mΩ Max.  
 Insulation R.:DC500V 100MΩ Min.  
 Dielectric Strength : AC 1000V 1 minute.  
 Operating Temperature : -20°C~+65°C  
 Electrical Life :50,000 make-and-break cycles at full load.

Unit: mm



| Part No. | Product No. | Description   | No. of Pos. | Volt./Current | Type      |
|----------|-------------|---------------|-------------|---------------|-----------|
| 11140    | 6328-6P3    | Toggle Switch | 6P3         | 15A/125Vac    | ON-OFF-ON |



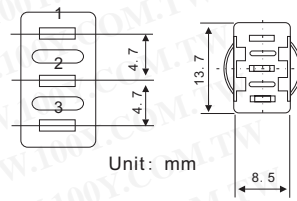
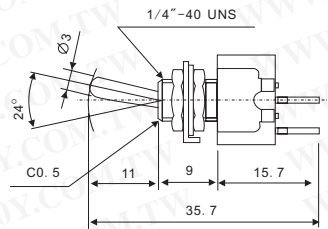
### SPECIFICATIONS

Contact rating: refer to "Contact material options" for more info  
 Electrical life:50,000 make-and-break cycles at full load  
 Contact resistance: 10mΩ max typ. initial@2-4 VDC  
 100mA for both silver and gold contacts  
 Insulation resistance: 1,000MΩ min  
 Dielectric strength: 1,500V RMS. © Sea level  
 Operating temperature: -30°C to 85°C

### MATERIALS

CASE: Diallyl phthalate (DAP) (UL 94V-0)  
 TOGGLE HANDLE: Brass, chrome plated  
 Bushing: Brass, nickel plated  
 Housing: stainless steel  
 Terminal seal: Epoxy

| Part No. | Product No.  | Manufacturer | Description   | No. of Pos. | Volt./Current | Type      |
|----------|--------------|--------------|---------------|-------------|---------------|-----------|
| 13318    | IM33T1B1M1Q5 | TAIWAY       | Toggle Switch | 9P3         | 5A/125V       | ON-OFF-ON |



Unit: mm

| Part No. | Product No. | Description   | No. of Pos. | Volt./Current | Type   |
|----------|-------------|---------------|-------------|---------------|--------|
| 4231     | MT-1021     | Toggle Switch | 2P2         | 6A/125Vac UL  | ON-OFF |



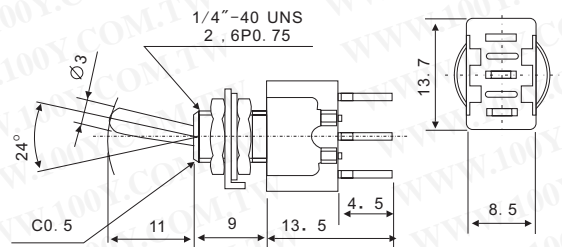
MT-1031-3P2



MT-1032-3P3NR



MT-1062



Unit: mm

| Part No. | Product No.   | Description   | No. of Pos. | Volt./Current | Type      |
|----------|---------------|---------------|-------------|---------------|-----------|
| 7739     | MT-1031-3P2   | Toggle Switch | 3P2         | 6A/125Vac     | ON-ON     |
| 4232     | MT-1032-3P3NR | Toggle Switch | 3P3         | 6A/125Vac     | ON-OFF-ON |
| 4230     | MT-1062       | Toggle Switch | 6P3         | 6A/125Vac     | ON-OFF-ON |

- We provide a wide range of products to development and maintenance engineers in all type of business
- If you cannot find the components you want on the catalogue, please call us.

Taiwan: 886-3-5753170  
 Shanghai: 021-54151736 Shenzhen: 0755-83298787

**Centenary Materials**  
 Waiting for your phone call



T E L : Taiwan: 886-3-5753170  
 F A X : Taiwan: 886-3-5753172  
 E-mail : Taiwan: [us\\_sale@100y.com.tw](mailto:us_sale@100y.com.tw)

Shenzhen: 86-755-83298787  
 Shenzhen: 86-755-83640655  
 Shenzhen: [100y@163.com](mailto:100y@163.com)

Shanghai: 86-21-54151736  
 Shanghai: 86-21-64605107  
 Shanghai: [100y-1@163.com](mailto:100y-1@163.com)