

Switches & Control Gear

2 Way Select Switch

Detailed product specifications are available on: us.100y.com.tw

Part No.	Product No.	Manufacturer	Description	Volt./Current	Fixed hole Dia.	Color	Contact Type
44097	TSSL-251a/1b	TEND	№25Long knob selector switch 2 positions 1A1B/	10A/250VAC(max)	25m/m	red	1A or1B/
44107	TSSL-3012-R	TEND	№30Long knob selector switch 2 positions 1A1B	10A/250VAC(max)	30m/m	red	1A1B
44110	TSSL-3013-R	TEND	№30Long knob selector switch 3 positions	10A/250VAC(max)	30m/m	RED	1A1B
44104	TSSL-301a/1b	TEND	№30Long knob selector switch 2 positions 1a or 1b	10A/250VAC(max)	30m/m	red	1a or 1b

3 Way Select Switch

Detailed product specifications are available on: us.100y.com.tw

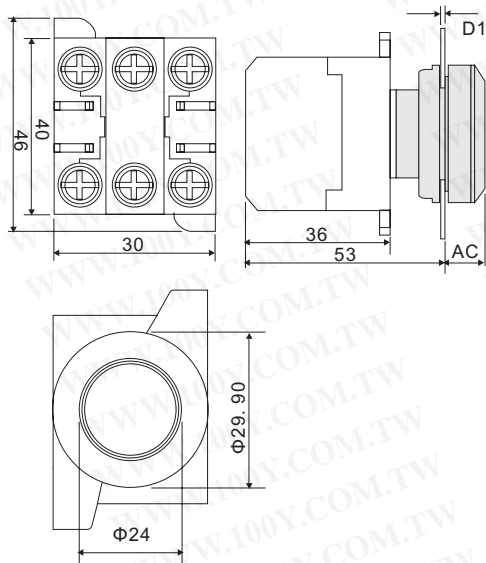


Series Feature

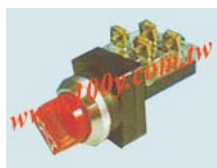
- Elegant and sophisticated design, add the extra value and esthetic feeling into applications.
- Professional selection of engineering materials, overcome the harshest of your environment.
- Friendly handling and modulus design, save your treasure time while set-up and installing.
- Flexible and modular assembly, effectively decrease the stock cost on your hand.
- Whole series slim; delicate and light, go up to the requirement of protection Ip40.
- Lower and flush housing actuators, highly increase the fine appearance of your panel.
- 2225 and 30m/m mounting holes, fulfill your intentions of choice and replacement.
- Contact sliding mechanism, avoid the pollution of contacts and increase switching reliability.
- Approved by safety standards CCC and CE, provide you with fully safety assured products.

Technical Specifications

safety standard	CE/ EN60947.5.1, CCC/GB14048.5-2001
rated capacity	Ui =600VAC, Ith=10A
contact rating	AC15:250VAC/6A DC13:250VDC/0.6A
contact resistance	MAX. 50mΩ
dielectric strength	2500VAC 50HZ, 1min.
insulation resistance	> 100MΩat 500VDC
vibration resistance	10g @40~500Hz
lamp lifetime	incandescent lamp: ≤1,000 hrs LED lamp: ≥5,000 hrs
mechanical lifetime	pushbutton switches: momentary >3,000,000 maintained >500,000 selector switches: momentary >500,000 maintained >500,000 keylock switches: momentary >500,000 maintained >500,000 emergency stop switches: >300,000 units: cycles
electrical lifetime	contact block: AC15 250VAC/6A >1,000,000 DC13 250VDC/0.6A >1,000,000
storage temperature	-40 +80°C
operating temperature	-25 +55°C



Part No.	Product No.	Manufacturer	Description	Fixed hole Dia.	Color	Contact Type	Lamp (V)
41419	E2S3K1A	META	22m/m 3 Way Select Switch	22m/m	Black	Short handle 3 Alternating 1NO	
41423	E2S3K1A5AR	META	22m/m 3 Way Select Switch	22mm	Red	Short handle 3 Alternating 1NO	220VAC



Operating temperature	-20°C--+60°C		
Contact resistance	Use rating voltage that Following DC test voltage, The resistance data < 15Ω in 1A		
Insulated resistance	The use of high resistivity impose DC500V voltage, measured in the more than 100 ohms		
Withstanding voltage	AC2500V to accept the one minute test voltage, No short circuit, burning, destruction, insulation, and other anomalies		
Life	Mechinery	1,000 / hour of the opening and closing frequency	
	Electric	Up to more than 500,000	

Rating:

AC	AC125V	AC250V	AC500V	AC600V
	10A	6A	3A	2A
DC	DC125V	DC250V		
	2A	1A		

Color: ●●●

Item	Note
1. Style	Selection switch
2. Fixed hole Dia	∅25m/m
3. Contact number	1
4. Contact style	1a1b (NO-NC)
5. Paragraph	二

Part No.	Product No.	Manufacturer	Description	Volt./Current	Fixed hole Dia.	Color	Contact Type
44088	TSS-2513-R	TEND	№25Knob type selector switch 3 positions 1A1B	6A250V AC	25m/m	red	1A1B
39183	TSS-3013-B	TEND	3 Way Select Switch	10A/125VAC	№30	Black	1A1B
44093	TSS-3013-R	TEND	№30Knob type selector switch 3 positions 1A1B/	6A250V AC	30m/m	red	1A1B

