

Switches & Control Gear

Power Rocker Switch

Detailed product specifications are available on: us.100y.com.tw

Part No.	Product No.	Manufacturer	Description	Size	V/VAC
43279	TVS34-42	TEND	TEND_48*48(16A) Voltage cut switch	48*48	16A
43226	TVS34-61	TEND	TEND_64*64(10A) Voltage cut switch	64*64	10A
43249	TVS34-62	TEND	TEND_64*64(16A) Voltage cut switch	64*64	16A
43254	TVS34-63	TEND	TEND_64*64(25A) Voltage cut switch	64*64	25A
43219	TVS3443	TEND	TEND_48*48(25A) Voltage cut switch	48*48	25A

Rotary Switch

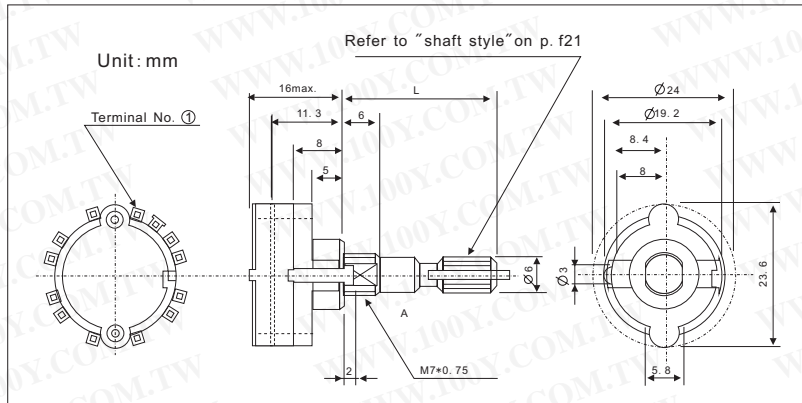
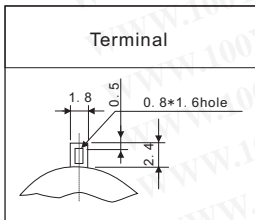
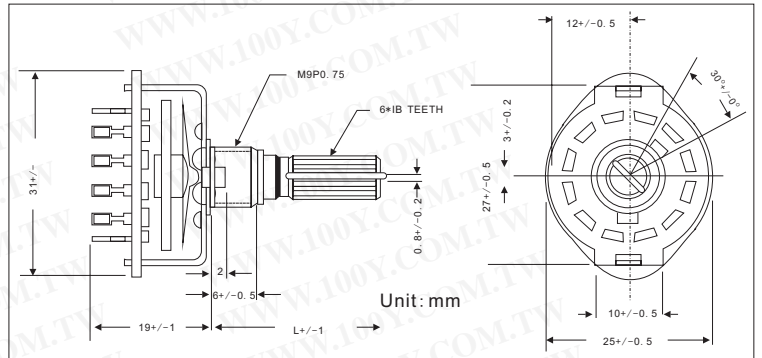
Rotary Switches

Detailed product specifications are available on: us.100y.com.tw



- Rotary Switches
- Rated electric power 0.3 (AC, 125V)
- Contact resistance : <25Ω (MAX)

Part No.	Product No.	Description	Num. Of Sections(layer)	Num. Of Position(segment)
5961	5060A	1 Sec. 3 Pos. Roatry Switches	1	3
5962	5060B	1 Sec. 4 Pos. Roatry Switches	1	4
5963	5060D	1 Sec. 6 Pos. Roatry Switches	1	6



FEATURES

- Hermetically sealed, compact rotary switch
- Excellent operational feeling and environmental characteristics
- Lead wiring type

APPLICATIONS

all types of electronic equipment such as measuring instruments and control equipment

Part No.	Product No.	Manufacturer	Description	Num. Of Sections(layer)	Num. Of Position(segment)	Num. Of Poles (Loop)
28114	SRRN124	ALPS	1 Sec. 2 Pos. 4 Poles Roatry Switches	1	2	4
6745	SRRN134	ALPS	1 Sec. 3 Pos. 4 Poles Roatry Switches	1	3	4
50755	SRRN134-N14-15mm		1 Sec. 3 Pos. 4 Poles Roatry Switches	1	3	4
40236	SRRN134-N16-20mm		1 Sec. 3 Pos. 4 Poles Roatry Switches	1	3	4
6746	SRRN143		1 Sec. 4 Pos. 3 Poles Roatry Switches	1	4	3
8086	SRRN152	ALPS	1 Sec. 5 Pos. 2 Poles Roatry Switches	1	5	2
50756	SRRN152-N32-15mm		1 Sec. 5 Pos. 2 Poles Roatry Switches	1	5	2
40235	SRRN152-N40-20mm		1 Sec. 5 Pos. 2 Poles Roatry Switches	1	5	2
8088	SRRN162	ALPS	1 Sec. 6 Pos. 2 Poles Roatry Switches	1	6	2
8087	SRRN1C1S	ALPS	1 Sec. 12 Pos. 1 Poles Roatry Switches	1	12	1



SPECIFICATIONS

Contact rating: AC/DC 150V 130mA
 Electrical life: 15,000 cycles at full load
 Contact resistance: 25m max. initial
 Insulation resistance: 100MΩ max.
 Dielectric strength: 1,000V RMS @ sea level
 Operating temperature: -30°C to 80°C
 Stops: adjustable 2 through 12 position -30°C indexing

MATERIALS

Shaft: aluminum
 Cover: PA.
 BASE: PA
 CONTACTS: PBS+Ag
 TERMINALS: Brass+Ag
 MOVEMENT: PA
 SPRING: SUS

Part No.	Product No.	Description	Num. Of Sections(layer)	Num. Of Position(segment)	Num. Of Poles(loop)
50016	Y8404-1-21-E-B-NS-37	Rotary Switches	1	12	
50014	Y8404-3-21-E-B-NS-37	Rotary Switches	3	4	

- We provide a wide range of products to development and maintenance engineers in all type of business
- If you cannot find the components you want on the catalogue, please call us.

Taiwan: 886-3-5753170
 Shanghai: 021-54151736 Shenzhen: 0755-83298787

Centenary Materials

Waiting for your phone call



T E L : Taiwan: 886-3-5753170
 F A X : Taiwan: 886-3-5753172
 E-mail: Taiwan: us_sale@100y.com.tw

Shenzhen: 86-755-83298787
 Shenzhen: 86-755-83640655
 Shenzhen: 100y@163.com

Shanghai: 86-21-54151736
 Shanghai: 86-21-64605107
 Shanghai: 100y-1@163.com