

Switches & Control Gear

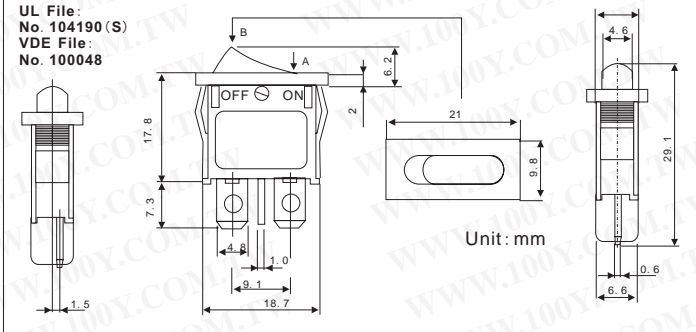
Power Rocker Switch



Materials
 Housing: PA 66
 Rocker: PC
 Contact: Silver alloy
 Terminal: Brass silver plated

Detailed product specifications are available on: us.100y.com.tw

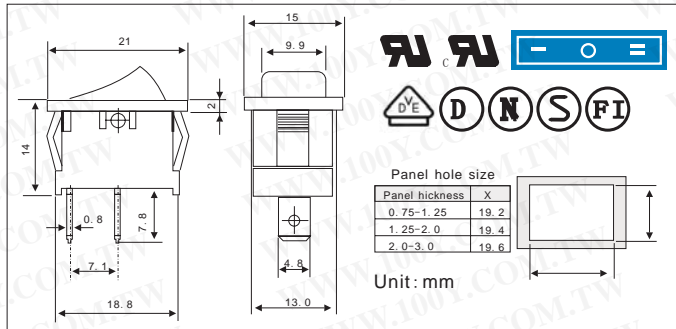
Rating:	6A 250VAC, 10A 125VAC
Mechanical Life Endurance:	50,000 cycles
Electrical Life Endurance:	10,000 cycles
Contact resistance:	<20m ohm
Insulation resistance:	>1000M ohm (5000V DC between open contacts)
High Voltage resistance:	>1500V 1minute. (initial)
Ambient temperature:	Terminal side: -20 to +85°C Actuator side: -20 to +55°C
Storage Temperature:	30 to 80°C
Atmospheric humidity:	MAX. 85%
Actuating Force:	4N (depends on different switch functions)
Flammability:	UL94V-2
Temperature rise at the terminal:	MAX30°C (UL 1054)
Solder temperature of terminal:	MAX 350°C, 3 seconds (No pressure may be placed on the terminals when soldering by hand)



Part No.	Product No.	Description	Contact Type	Button/Body Color	Pins/Terminal Type	Size	V/VAC
10020	R6-BB-0-2P	Rocker Switch	ON-OFF	Black Button/Black Background	2	6.8*19	10A/125Vac



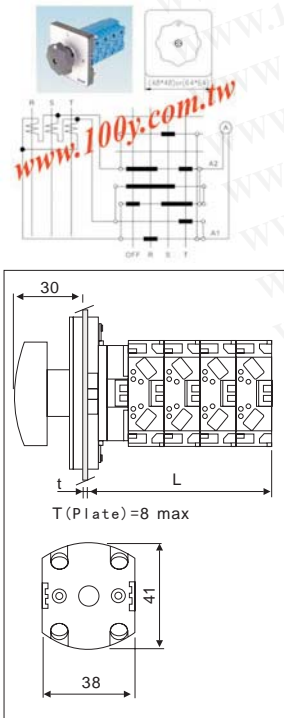
Color: ●



SPECIFICATIONS

- (G) : 6A 250VAC T85 1E4
- 6(2) A 250VAC T125
- 10A 125VAC
- (H) : 12(4) A 250VAC; 6(4) A 250VAC 5E4
- 16A 125V/10A 250VAC 1/3 HP 125-250VAC T 105
- ON-OFF-ON 3P SPDT
- Pins/Terminal Type: 3P/Solder

Part No.	Product No.	Description	Contact Type	Button/Body Color	Pins/Terminal Type	Size	V/VAC
8392	RL-3P3	Rocker Switch	OF-OFF-ON	Black Button/Black Background	3P3	13*19	10A/125Vac UL



Part No.	Product No.	Manufacturer	Description	Size	V/VAC
43269	TAS33-41	TEND	TEND_48*48(10A)Electric current cut switch	48*48	10A
43270	TAS33-413	TEND	TEND_48*48(10A) Electric current cut switch	48*48	10A
43275	TAS33-42	TEND	TEND_48*48(16A)Electric current cut switch	48*48	16A
43276	TAS33-423	TEND	TEND_48*48(16A) Electric current cut switch	48*48	16A
43280	TAS33-43	TEND	TEND_48*48(25A) Electric current cut switch	48*48	25A
43281	TAS33-433	TEND	TEND_48*48(25A)Electric current cut switch	48*48	25A
43220	TAS33-61	TEND	TEND_64*64(25A)Electric current cut switch	64*64	10A
43221	TAS33-613	TEND	TEND_64*64(10A) Electric current cut switch	64*64	10A
43245	TAS33-62	TEND	TEND_64*64(16A) Electric current cut switch	64*64	16A
43246	TAS33-623	TEND	TEND_64*64(16A)Electric current cut switch	64*64	16A
43250	TAS33-63	TEND	TEND_64*64(25A) Electric current cut switch	64*64	25A
43251	TAS33-633	TEND	TEND_64*64(25A) Electric current cut switch	64*64	25A
43272	TAS34-41	TEND	TEND_48*48(10A) Electric current cut switch	48*48	10A
43277	TAS34-42	TEND	TEND_48*48(16A) Electric current cut switch	48*48	16A
43222	TAS34-61	TEND	TEND_64*64(10A) Electric current cut switch	64*64	10A
43247	TAS34-62	TEND	TEND_64*64(16A)Electric current cut switch	64*64	16A
43252	TAS34-63	TEND	TEND_64*64(25A) Electric current cut switch	64*64	25A
43216	TAS3443	TEND	48*48(25A)Electric current cut switch	48*48	25A

- We provide a wide range of products to development and maintenance engineers in all type of business
- If you cannot find the components you want on the catalogue, please call us.

Taiwan: 886-3-5753170
 Shanghai: 021-54151736
 Shenzhen: 0755-83298787

Centenary Materials
 Waiting for your phone call



T E L : Taiwan: 886-3-5753170
 F A X : Taiwan: 886-3-5753172
 E-mail : Taiwan: us_sale@100y.com.tw

Shenzhen: 86-755-83298787
 Shenzhen: 86-755-83640655
 Shenzhen: 100y@163.com

Shanghai: 86-21-54151736
 Shanghai: 86-21-64605107
 Shanghai: 100y-1@163.com