

Switches & Control Gear

Power Rocker Switch

Detailed product specifications are available on: us.100y.com.tw



JS-606-A-Q-B/B-2-K

SPECIFICATIONS

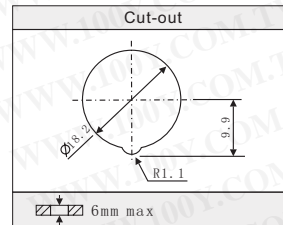
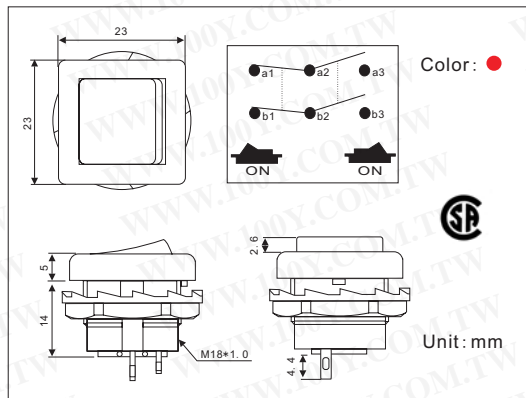
- Rating: K: 6A 125VAC/3A 250 VAC (UL CSA)
H: 10A 125VAC/6A 250 VAC (UL~KEMA)
L: 5A 125L (Inrush Current 80A)
T: 16A 125VAC/10A 250 VAC T105
- Contact resistance: 20mΩ(max.)
- Insulation resistance: DC500V 100MΩ(min)
- Dielectric strength: 1500VAC/1minute

Part No.	Product No.	Description	Contact Type	Button/Body Color	Pins/Terminal Type	Size	V/VAC
39489	JS-606-A-Q-B/B-2-K	Rocker Switch	ON-OFF	Black/Black	2P/Q	21*13	6A/125Vac



FEATURES

- MATERIAL: Actuators are nylon (UL flame: 94V-2). Terminals are silver plated brass.
- Phenolic base.



SPEC	10A 125VAC/6A 250VAC
Contact resistance	50m ohm MAX.
Insulated resistance	DC 500V 100M ohm Min.
Dielectric strength	AC 1500V 1minute

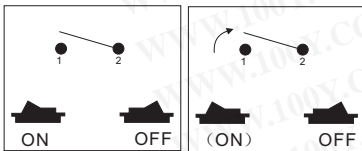
Part No.	Product No.	Description	Contact Type	Button/Body Color	Pins/Terminal Type	Size	V/VAC
14279	R13-136B-05	Rocker Switch	DPDT ON-ON	Red Button/Black Background	6P/Solder	23L*23W*19D(mm)	10A125V/6A250V



R13-243A-02

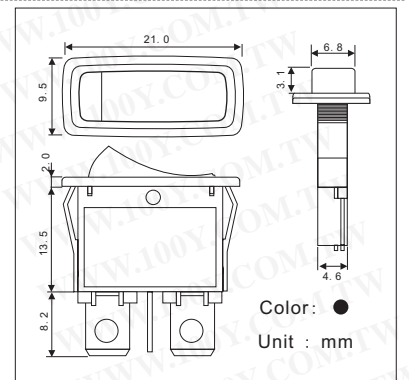


R13-243F-02



SPEC	10A 125VAC/6A 250VAC
Contact resistance	50m ohm MAX.
Insulated resistance	DC 500V 100M ohm Min.
Dielectric strength	AC 1500V 1 minute

Cut-out		
	X	Y
0.75 ~ 1.25	19.2-0.1	7.0+0.1
1.25 ~ 2	19.4-0.1	7.0+0.1
2 ~ 3	19.8-0.1	7.0+0.1

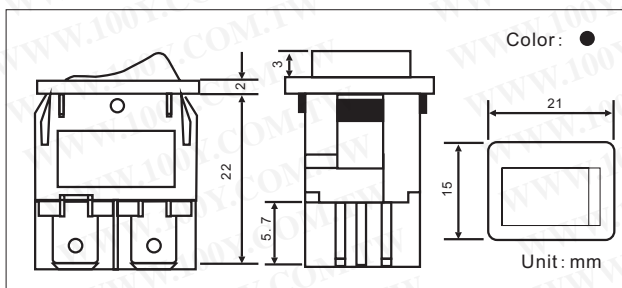


Terminal	
0 2	1.187"SQ

FEATURES

- MATERIAL: Frames are nylon with glass fiber(UL flame: 94HB). Terminals are silver plated brass.
- Illuminated actuators are molded in PC, available with red, amber, and green colors.

Part No.	Product No.	Description	Contact Type	Button/Body Color	Pins/Terminal Type	Size	V/VAC
14284	R13-243A-02	Rocker Switch	SPST ON-OFF	Black Button/Black Background	2P/1.187"SQ Quick connect	L21*W9.5*D23.7mm	10A/125V 6A/250V
12148	R13-243F-02	Rocker Switch	SPST (ON)-OFF	Black Button/Black Background	2P/4.8*0.8t Quick connect	L21*W9.5*D23.7mm	10A/125VAC 6A/250VAC



FEATURES

- MATERIAL: Frames are nylon (UL flame: 94V-2). Terminals are silver plated brass.
- Illuminated actuators are molded in PC, available with red, amber, and green colors.
- Snap-in mounting, easy to install switch into panel.



Part No.	Product No.	Description	Contact Type	Button/Body Color	Pins/Terminal Type	Size	V/VAC
14285	R13-73A-10	Rocker Switch	DPST ON-OFF	Black Button/Black Background	4P/PC ANGLE PC mounting	L21*W15*D24mm	10A/125V 6A/250V

- We provide a wide range of products to development and maintenance engineers in all type of business
- If you cannot find the components you want on the catalogue, please call us.

Taiwan: 886-3-5753170
Shanghai: 021-54151736 Shenzhen: 0755-83298787

Centenary Materials
Waiting for your phone call



T E L : Taiwan: 886-3-5753170
F A X : Taiwan: 886-3-5753172
E-mail: Taiwan: us_sale@100y.com.tw

Shenzhen: 86-755-83298787
Shenzhen: 86-755-83640655
Shenzhen: 100y@163.com

Shanghai: 86-21-54151736
Shanghai: 86-21-64605107
Shanghai: 100y-1@163.com