

# Switches & Control Gear

## Power Rocker Switch

Detailed product specifications are available on: [us.100y.com.tw](http://us.100y.com.tw)



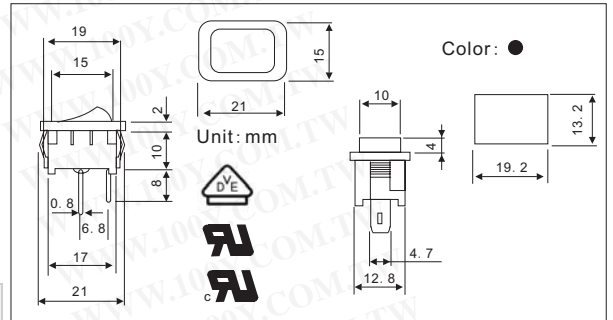
### SPECIFICATIONS

- Contact rating: refer to "contact Material options" for more info.
- Electrical life: 50,000 make-and-break cycles at full load
- Contact resistance: 10mΩ max. Initial @ 2-4VDC
- 100mA for both silver and gold plated contact
- Insulation resistance: 1,000MΩ min
- Dielectric strengths: 1,500V RMS @ sec level
- Operating temperature: -30°C to 85°C

Part No.	Product No.	Manufacturer	Description	Contact Type	Button/Body Color	Pins/Terminal Type	V/VAC
7908	3MS1R103M1Q0	TAIWAY	Rocker Switch	ON-OFF	Red/Red	3P2	5A/125Vac



Model	The characteristic
5009A	2P SPST ON-OFF
Spec	AC 10A 125V, 6A 250V
Contact resistance	50Ω MAX.
Insulated resistance	DC 500V 100Ω MIN.
Withstanding voltage	AC 1500V 1 Minute



Part No.	Product No.	Description	Pins/Terminal Type
13335	5009A	Rocker Switch	2P

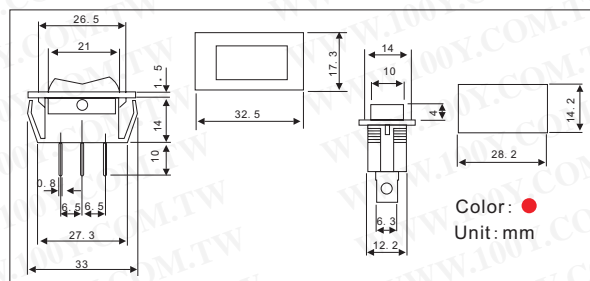
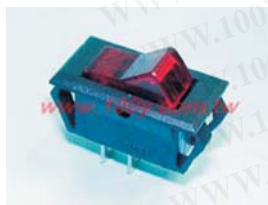


Model	KS-30 SPT-1
Applicable Wire	SPT-1 18AWG/2C
Applicable Wire size	2.7*5.4
Applicable Vol	6A 125V AC 3A 250V AC 3A 125V T

### USE Information

- Split cord, cut Non-identified conductor 3mm only
- Place cord in half without wheel.
- Press halves together, note that points pierce insulation to make contact with copper inside cut cord
- Replace nut into switch and tighten screw until secure

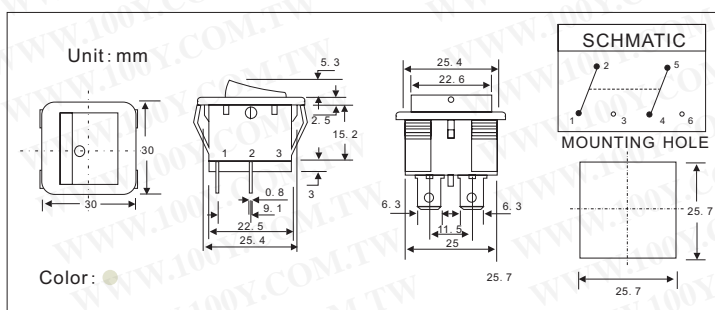
Part No.	Product No.	Description	Contact Type	Button/Body Color
12041	5054-B	Rocker Switch	ON-OFF	2A Black



Model	The characteristic
6010	2P SPST ON-OFF
Spec	10A 125V
Contact resistance	50Ω MAX.
Insulated resistance	DC 500V 100Ω MIN.
Withstanding voltage	AC 1000V 1 Minute

Pin/Terminal Type: 2P2

Part No.	Product No.	Description	Contact Type	Button/Body Color	Pins/Terminal Type	Size	V/VAC
10654	6010A-2P2	Rocker Switch	ON-OFF	Red Button/Black Background	2P2	14*28	10A 125V AC



### SPECIFICATIONS

- Contact data: 15A 125VAC  
10A 250VAC
- Contact point resistance: 50Ω (MAX.)
- Insulated resistance: 500Ω (MIN), 500VDC
- Withstanding vol: 1,000VAC, 1Minute
- Life Cycle: More than 6,000CYCLES
- Operating Force: 600+/-100GRAM

Part No.	Product No.	Description	Contact Type	Pins/Terminal Type	Size	V/VAC
3467	6018	Rocker Switch	ON-OFF	4P2	25*25	10A 125/250V AC

- We provide a wide range of products to development and maintenance engineers in all type of business
- If you cannot find the components you want on the catalogue, please call us.

Taiwan: 886-3-5753170  
Shanghai: 021-54151736 Shenzhen: 0755-83298787

**Centenary Materials**  
Waiting for your phone call



T E L : Taiwan: 886-3-5753170  
F A X : Taiwan: 886-3-5753172  
E-mail: Taiwan: [us\\_sale@100y.com.tw](mailto:us_sale@100y.com.tw)

Shenzhen: 86-755-83298787  
Shenzhen: 86-755-83640655  
Shenzhen: [100y@163.com](mailto:100y@163.com)

Shanghai: 86-21-54151736  
Shanghai: 86-21-64605107  
Shanghai: [100y-1@163.com](mailto:100y-1@163.com)