

# Switches & Control Gear

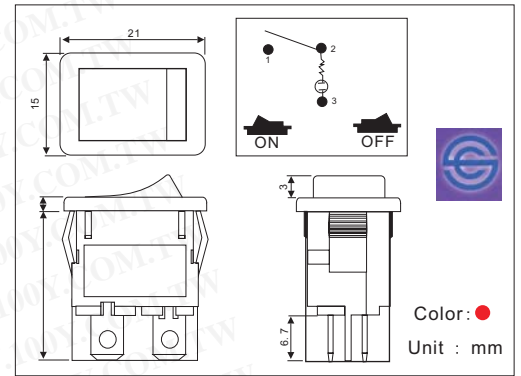
## Illuminated Power Rocker Switch

Detailed product specifications are available on: [us.100y.com.tw](http://us.100y.com.tw)

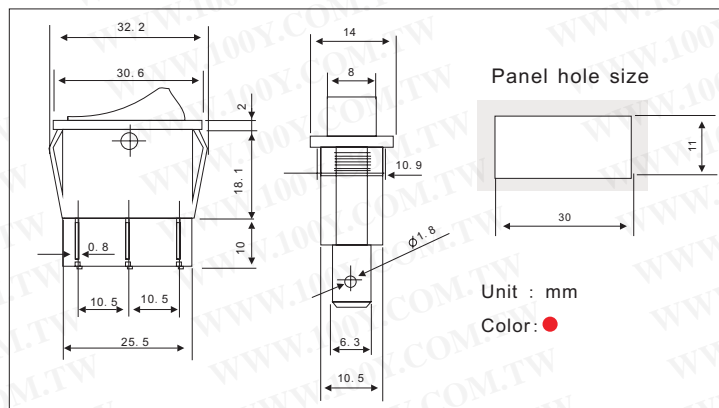


TERMINAL	
0 2	.187" SQ
0 9	PC
1 0	PC ANGLE

Contact resistance	50m ohm MAX.
Insulated resistance	DC 500V 100M ohm Min.
Dielectric strength	AC 1500V 1 minute



Part No.	Product No.	Description	Pins/Terminal Type	Contact Type	V/VAC	Button/Body Color	Indicators
14156	R13-73B-02	Rocker Switch	3P/4.8*0.8t Quick Connect)	SPST ON-OFF	10A150V/6 A250V	Red Button/Black Background	AC220V(125Vac 33k/250V 150k)



### SPECIFICATIONS

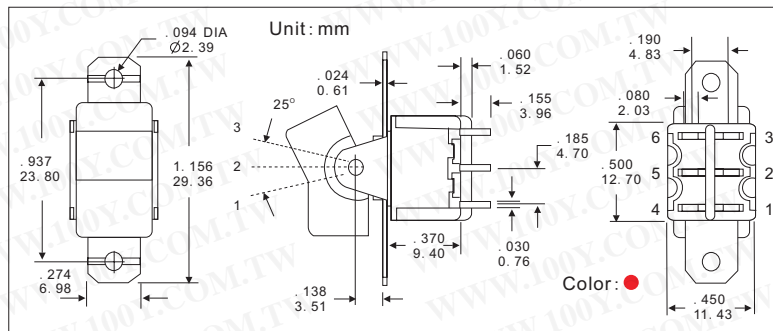
- RL2-421/N-C-30-RE/BD-P2
- ON-OFF W/Lamp 6P DPST
- 16 (4) A 250VAC T85
- 16 (4) A 250VAC T125 IE 4
- 16A 125/8A 250VAC



Part No.	Product No.	Description	Pins/Terminal Type	Contact Type	V/VAC	Button/Body Color
18072	RL1-6073B-W/R	Rocker Switch With Lamp	3P	ON-OFF	10A/250Vac	Red Button/White Background

## Power Rocker Switch

Detailed product specifications are available on: [us.100y.com.tw](http://us.100y.com.tw)



### SPECIFICATIONS

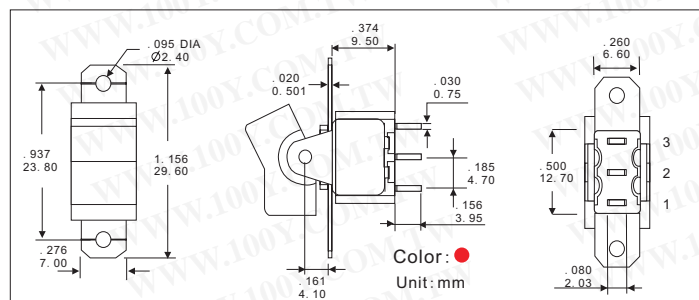
- Contact rating: refer to "contact Material options" for more info.
- Electrical life: 50,000 make-and-break cycles at full load
- Contact resistance: 10mΩ max. Initial @ 2-4VDC
- 100mA for both silver and gold plated contact
- Insulation resistance: 1,000MΩ min
- Dielectric strengths: 1,500V RMS @ sec level
- Operating temperature: -30°C to 85°C



### MATERIALS:

CASE: Dially phthalate (DAP) (UL 94V-0) HOUSING: Stainless steel  
 ROCKERS: Nylon (UL 94V-0) SWITCH SUPPORT: Brass, in plated  
 BUSHING: Brass, nickel plated TERMINAL SEAL: Epoxy

Part No.	Product No.	Description	Contact Type	Pins/Terminal Type	V/VAC
11944	0886				
7907	3MD1R103M1Q0	Rocker Switch	ON-OFF	6P2	5A/125Vac



### MATERIALS:

CASE: Dially phthalate (DAP) (UL 94V-0)  
 ROCKERS: Nylon (UL 94V-0)  
 BUSHING: Brass, nickel plated  
 HOUSING: Stainless steel  
 SWITCH SUPPORT: Brass, in plated  
 TERMINAL SEAL: Epoxy



Schematic 02C. mm.



T E L : Taiwan: 886-3-5753170  
 F A X : Taiwan: 886-3-5753172  
 E-mail: Taiwan: [us\\_sale@100y.com.tw](mailto:us_sale@100y.com.tw)

Shenzhen: 86-755-83298787  
 Shenzhen: 86-755-83640655  
 Shenzhen: [100y@163.com](mailto:100y@163.com)

Shanghai: 86-21-54151736  
 Shanghai: 86-21-64605107  
 Shanghai: [100y-1@163.com](mailto:100y-1@163.com)