

Switches & Control Gear

Illuminated Power Rocker Switch

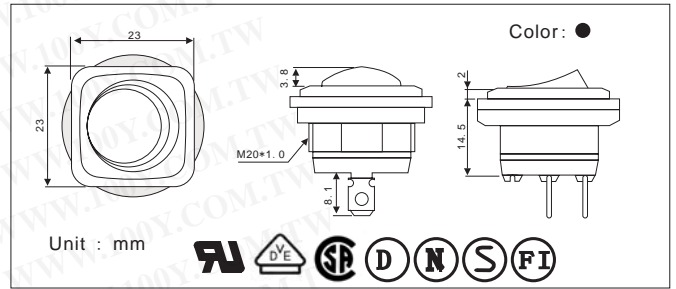
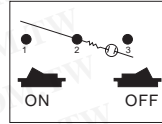
Detailed product specifications are available on: us.100y.com.tw



FEATURES

- MATERIAL: Frames are nylon (UL flame: 94V-2). Terminals are silver plated brass.
- Illuminated actuators are molded in PC, available with red, amber, and green colors.
- Snap-in mounting, easy to install switch into panel.
- Dust resistant.

SPEC	10A 125VAC/6A 250VAC
Contact resistance	50m ohm MAX.
Insulated resistance	DC 500V 100M ohm Min.
Dielectric strength	AC 1500V 1 minute



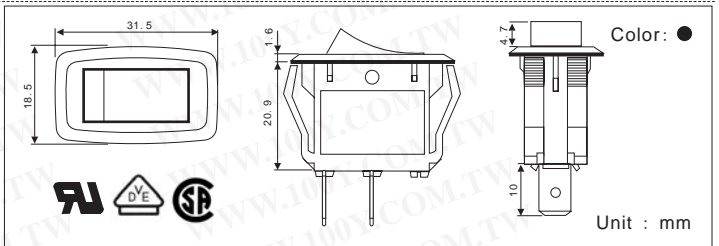
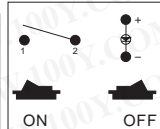
Part No.	Product No.	Description	Pins/Terminal Type	Contact Type	V/VAC	Button/Body Color	Indicators
14280	R13-135B2-02	Rocker Switch	3P/187"SQ Quick cinnect	SPST ON-OFF	10A/125VAC 6A/250VAC	Black Button/Black Background	125V/33K? 250V/150K



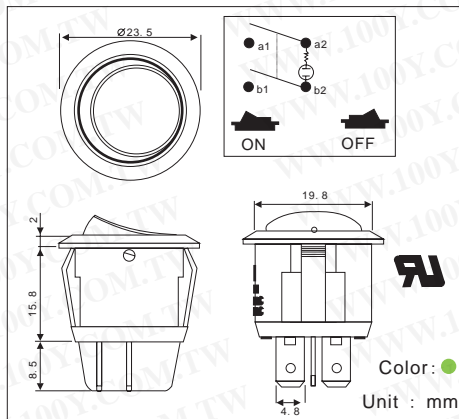
FEATURES

- MATERIAL: Frames are nylon (UL flame: 94V-2). Terminals are silver plated brass.
- Illuminated actuators are molded in PC, available with red, amber, and green colors.
- Snap-in mounting, easy to install switch into panel.

SPEC	10A 125VAC/6A 250VAC
Contact resistance	50m ohm MAX.
Insulated resistance	DC 500V 100M ohm Min.
Dielectric strength	AC 1500V 1 minute



Part No.	Product No.	Description	Pins/Terminal Type	Contact Type	V/VAC	Button/Body Color	Indicators
14410	R13-205L-B/R	Rocker Switch With Red LED	4P/SO Solder	SPST ON-OFF	16A 125V/10A 250V	Black Button/Black Background	LED Rating @10MAVf=1.85V



FEATURES

- MATERIAL: Frames are nylon (UL flame: 94V-2). Terminals are silver plated brass.
- Illuminated actuators are molded in PC, available with red, amber, and green colors.
- Snap-in mounting, easy to install switch into panel.
- Waterproof cover is optional.

SPEC	10A 125VAC/6A 250VAC
Contact resistance	50m ohm MAX.
Insulated resistance	DC 500V 100M ohm Min.
Dielectric strength	AC 1500V 1 minute

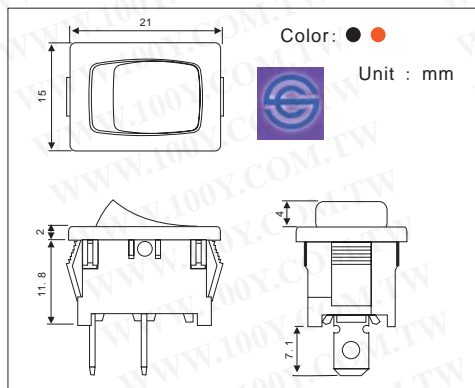
Part No.	Product No.	Description	Pins/Terminal Type	Contact Type	V/VAC	Button/Body Color	Indicators
14325	R13-244B-B/G	Rocker Switch	4P/4.8*0.8t Quick connect	DPST ON-OFF	16A125V/10A250V	Green Button/Black Background	AC220V(125Vac 33k /250V 150k)
22070	R13-244B-B/R	Rocker Switch	4P/4.8*0.8t Quick connect	DPST ON-OFF	16A125V/10A250V	Red Button/Black Background	AC220V(125Vac 33k /250V 150k)



R13-66B-02



R13-66L-05



FEATURES

- MATERIAL: Frames are nylon (UL flame: 94V-2). Terminals are silver plated brass.
- Illuminated actuators are molded in PC, available with red, amber, and green colors.
- Snap-in mounting, easy to install switch into panel.
- Waterproof cover is optional.
- Dust resistant.



T E L : Taiwan: 886-3-5753170
 F A X : Taiwan: 886-3-5753172
 E-mail : Taiwan: us_sale@100y.com.tw

Shenzhen: 86-755-83298787
 Shenzhen: 86-755-83640655
 Shenzhen: 100y@163.com

Shanghai: 86-21-54151736
 Shanghai: 86-21-64605107
 Shanghai: 100y-1@163.com