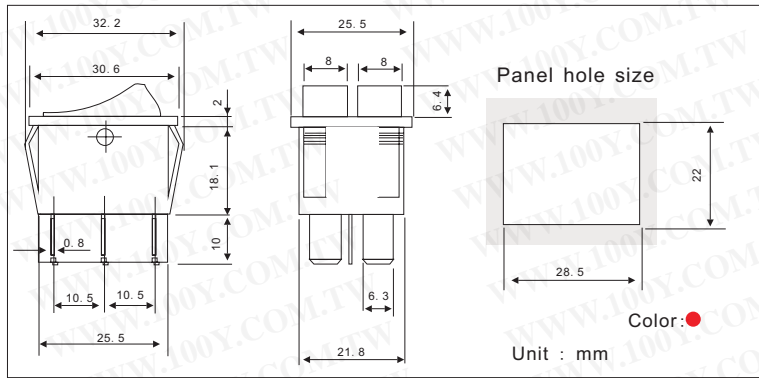


Switches & Control Gear

Illuminated Power Rocker Switch

Detailed product specifications are available on: us.100y.com.tw

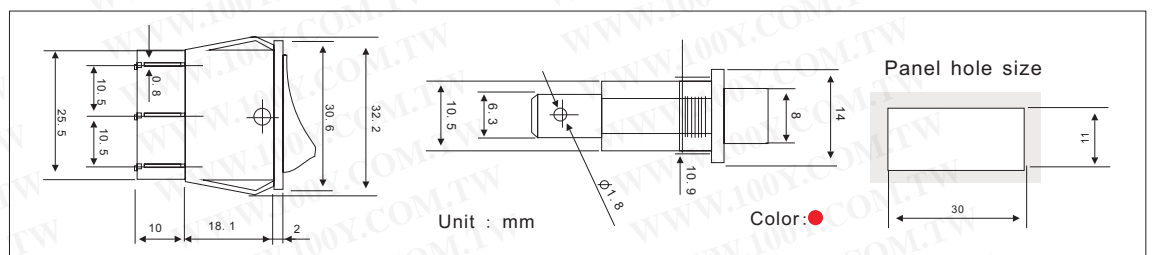


SPECIFICATIONS

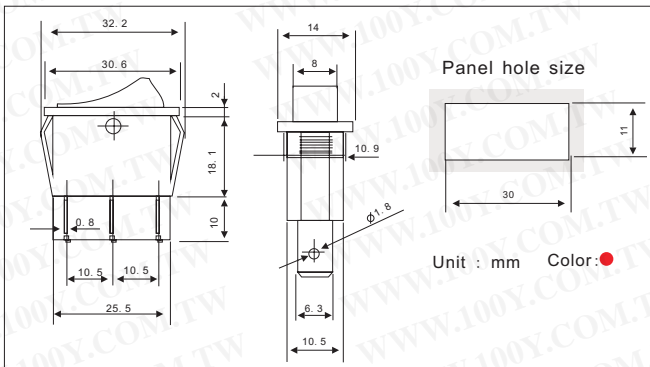
- RL2-421/N-C-30-RE/BD-P2
- ON-OFF W/Lamp 6P DPST
- 16 (4) A 250VAC T85
- 16 (4) A 250VAC T125 IE 4
- 16A 125/8A 250VAC



Part No.	Product No.	Description	Pins/Terminal Type	Contact Type	V/VAC	Button/Body Color
8394	6070P-B	Rocker Switch With Lamp	6	6P-2	10A/250Vac	Red Button/Black Background



Part No.	Product No.	Description	Pins/Terminal Type	Contact Type	V/VAC	Button/Body Color
8393	6073B-B/R UL	Rocker Switch With Lamp	3P	ON-OFF	10A/250Vac	Red Button/Black Background

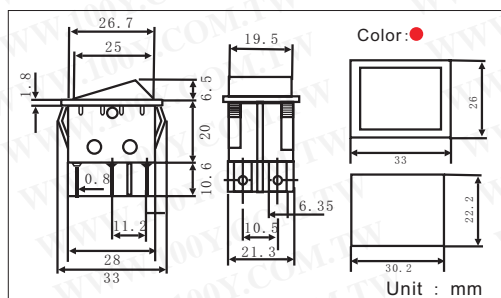
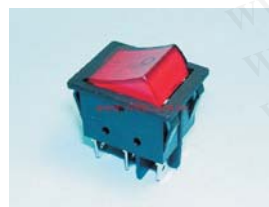


SPECIFICATIONS

- RL2-421/N-C-30-RE/BD-P2
- ON-OFF W/Lamp 6P DPST
- 16 (4) A 250VAC T85
- 16 (4) A 250VAC T125 IE 4
- 16A 125/8A 250VAC



Part No.	Product No.	Description	Pins/Terminal Type	Contact Type	V/VAC	Button/Body Color
29275	6073B-WR	Rocker Switch With Lamp	3P	ON-OFF	10A/250Vac (DC12V)	Red Button/White Background



Model	The characteristic
TL6092F	DPDT 6P Light
TL6092E	DPDT 4P Light
SPEC	125VAC-16A, 250VAC-10A
Contact resistance	50Ω MAX.
Insulated resistance	DC 500V 100Ω MIN.
Withstanding voltage	AC 1500V 1 Minute

- BSEC Color Black and White
- Greenpeace blocks orange color red
- WITH 220V 100VNEON LAMP 12V BULB

Part No.	Product No.	Description	Pins/Terminal Type	Contact Type	V/VAC	Button/Body Color
11637	6092F-BR-2	Rocker Switch With Lamp	6P	ON-ON	15A/250Vac	Red Button/Black Background
11085	6093E	Rocker Switch With Lamp	4	ON-OFF	15A/250Vac	ILLUMINATED



T E L : Taiwan: 886-3-5753170
 F A X : Taiwan: 886-3-5753172
 E-mail : Taiwan: us_sale@100y.com.tw

Shenzhen: 86-755-83298787
 Shenzhen: 86-755-83640655
 Shenzhen: 100y@163.com

Shanghai: 86-21-54151736
 Shanghai: 86-21-64605107
 Shanghai: 100y-1@163.com