

Switches & Control Gear

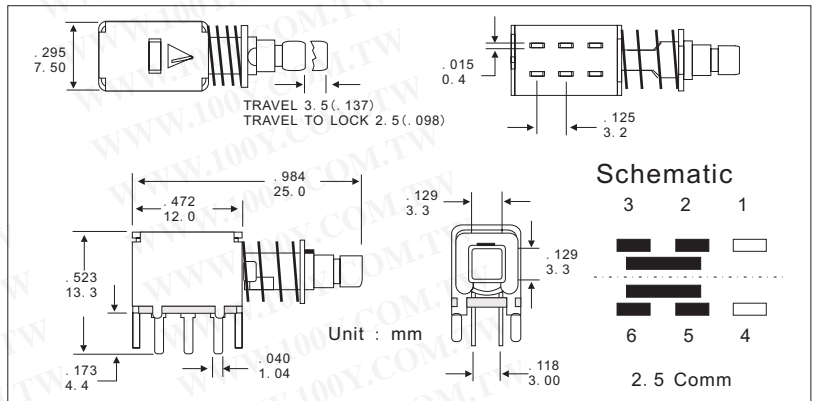
PC Push Button Switch

Detailed product specifications are available on: us.100y.com.tw



SPECIFICATIONS

Contact rating: 200mA@30VAC or VDC max
 Electrical life: 30,000 make-and-break cycle at full load
 Contact resistance: 20mΩ max. @2-4 VDC, 100ma for both coin silver and gold plated contacts
 Insulation resistance: 100MΩ min
 Dielectric strength: 500 Volt RMS @seal level
 Operating temperature: -10°C to 60°C
 TYPE: Momentary



Part No.	Product No.	Description	Pins	Pressure/Current value of tolerance
14570	YWP-656	InterLocking Button(Momentary)	6P	200mA/30V
42486	YWP-756	InterLocking Button(Alternative)	6P	200mA/30V

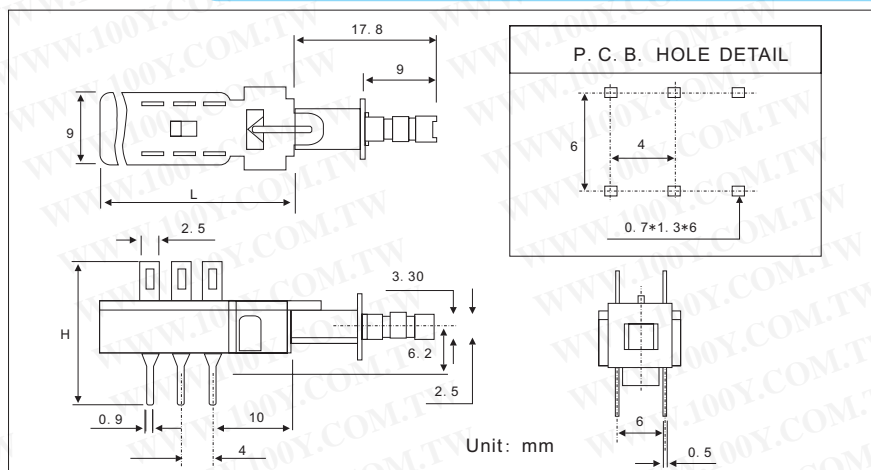
Sub-Miniature for PCB

Detailed product specifications are available on: us.100y.com.tw



GENERAL SPECIFICATIONS:

- Circuit: ON-ON
- Rating: AC. 250V 0.5A
- Contactor. (MAX): AC. 5V 1A 100MΩ
- Withstand vol. : AC. 500V 1 MINUTE
- Operating force: A-300±100G, B-200±100G
- Life cycle (max): 10,000 Cycles 40MΩ



Part No.	Product No.	Description	Type	Pins	Pressure/Current value of tolerance
6519	0867	PCB InterLocking Button	ON-ON	6P	250VAC/0.5A



SPECIFICATIONS

- Rating: AC 100V 0.5A, AC250V 0.2A, DC250V 1A
- Contact resistance: 50MΩ (Min)
- Insulation resistance: 100MΩ Min at 500VDC
- Dielectric strength: 1,000AC/1 minute
- Working temperature range: -20°C ~ +70°C

MATERIALS

- Mounting: P. C. Mount
- Contact finish: all contacts shall be silver plated
- Terminal material: Brass or copper
- Terminal finish: Silver plated
- Typical application: Dry circuit switching

Part No.	Product No.	Description	Pins	Pressure/Current value of tolerance
7091	0868	PCB InterLocking Button	12P	AC100V/0.5A, AC250V/0.2A, DC25V/1A



Part No.	Product No.	Description	Pins
18186	5044	PCB InterLocking Button	12P



APPLICABLE TO:

- Telephone and communication instruments
- Various accurate intensively
- OA machines
- Various electronic products
- Other products intemalvaly

Part No.	Product No.	Description	Type	Pins	Pressure/Current value of tolerance
16458	PS-22F78	PCB InterLocking Button	ON-(OFF)	6P	30VDC/0.3A

