

Switches & Control Gear

Standard Illuminated With Snap-action Switch Element

Detailed product specifications are available on: us.100y.com.tw

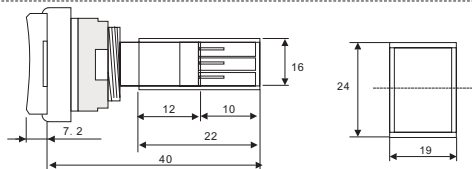


Standard state	Operating temp	-25°C to +50°C
	Operating humidity	45 to 85%RH
Contact resistance		<50Ω (Initial Value)
Insulated resistance		>100Ω
Withstanding voltage		between the recharge and non recharge AC 2500 1minute
Vibration resistance, impact resistance	Misoperation	5-55Hz, Amplitude 0.5mm
	Durability	1,000m/s ²
	Misoperation	100m/s ²

Part No.	Product No.	Manufacturer	Description	Installed Aperture	Lamp (V)
44451	ALN2F611G	IDEC	IDEC_8mm A8 Series Switches	30	AC200/220V
44449	AVLN32611NR	IDEC	IDEC_8mm A8 Series Switches	30	AC200/220V



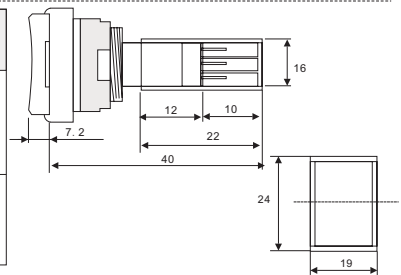
Part No.	Product No.	Description	Installed Aperture	Contact Function	Contact Rating	Lamp (V)
31182	E16-231.0+2	Rectangular Momentary Button Sitches With Lamp	16mm	1A1B	250VAC/3A	48 V



Part No.	Product No.	Manufacturer
41366	P16LAT1-1AB	DECA
41387	P16LAT1-1AB	DECA



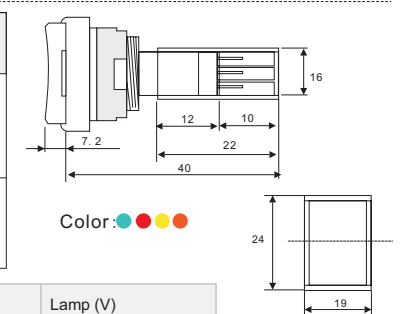
Description	Type	Contact block diagram (button not depressed)	Mounting length (A)
Illuminated or non-illuminated Pushbutton 1 pole momentary action	SPST		40mm
Illuminated or non-illuminated Pushbutton 1 pole momentary action	SPST		40mm



Part No.	Product No.	Manufacturer	Description	Installed Aperture	Contact Function	Contact Rating	Button/Body Color	Lamp (V)
40432	P16LMS1-1ABNG	DECA	Socket type Pushbutton Switch - Square type	16mm	1AB	250VAC/5A	Green	14V AC/DC
40433	P16LMS1-1ABNY	DECA	Socket type Pushbutton Switch - Square type	16mm	1AB	250VAC/5A	Yellow	14V AC/DC



Description	Type	Contact block diagram (button not depressed)	Mounting length (A)
Illuminated or non-illuminated Pushbutton 1 pole momentary action	SPST		40mm
Illuminated or non-illuminated Pushbutton 1 pole momentary action	SPST		40mm



Part No.	Product No.	Manufacturer	Description	Contact Rating	Lamp (V)
39076	P16LMT1-1AB	DECA	PUSHBUTTON SWITCHES	200mA	6V
39077	P16LMT1-1AB	DECA	PUSHBUTTON SWITCHES	200mA	6
39079	P16LMT1-1AB	DECA	PUSHBUTTON SWITCHES	200mA	6
39078	P16LMT1-1AB	DECA	PUSHBUTTON SWITCHES	200mA	6



Part No.	Product No.	Manufacturer	Description	Installed Aperture	Contact Function	Contact Rating	Button/Body Color
43904	T2BARR-1C	TEND	22Long Head(Alternate) Push botton Switch	22mm	1a1b	10A/250VAC(max)	Red

