

Switches & Control Gear

Miniature, Sub-Miniature Panel Mounting

Detailed product specifications are available on: us.100y.com.tw

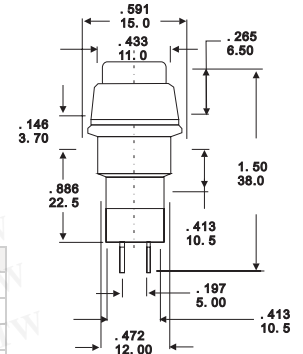
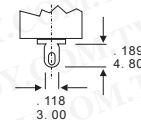
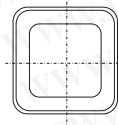


FEATURES:

- Proof voltage: 1,500 V AC
- Contact resistance: 20 MΩ max.
- Electrical life: 50,000 min.
- Mechanical life: 100,000 min.
- Circuitry : S. P. S. T
- Contact rating: 1A 250VAC
- Insulated resistance: 100MΩ
- Type: OFF-ON

SCALE 1.5: 2.61

Colors: ● ●



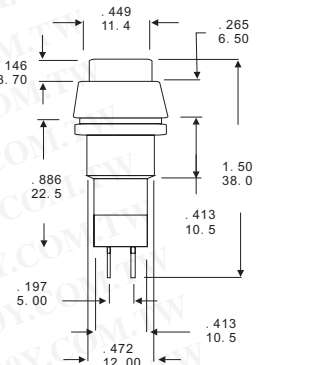
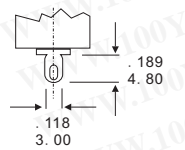
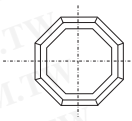
Part No.	Product No.	Description	Button/Body Color	Contact Rating	Pins/Terminal Type	Contact Function
5681	YR18-23A-3	Alternative Push Button Switches	Red	3A/250Vac	2	OFF-ON
7903	YR18-23A-502	Momentary Push Button Switches	Yellow	3A/250Vac	2P	OFF-ON
2208	YR18-23B-3	Momentary Push Button Switches	Red	3A/250Vac	2Pin	OFF-ON
7904	YR18-23B-5	Momentary Push Button Switches	Yellow	3A/250Vac	2P	OFF-ON



FEATURES:

- Proof voltage: 1,500 V AC
- Contact resistance: 20 MΩ max.
- Electrical life: 50,000 min.
- Mechanical life: 100,000 min.
- Circuitry : S. P. S. T
- Contact rating: 1A 250VAC
- Insulated resistance: 100MΩ
- Type: OFF-ON

SCALE 1.5: 2.46



Colors: ● ●

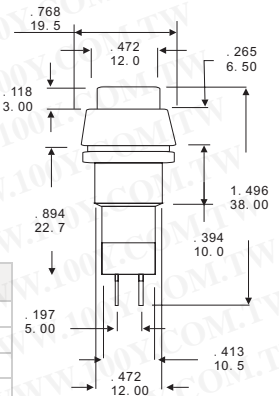
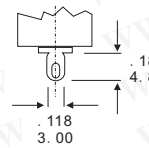
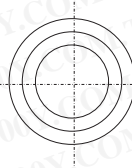
Part No.	Product No.	Description	Button/Body Color	Contact Rating	Pins/Terminal Type	Contact Function
3411	YR18-24A-3	Push Button Switches	Red	3A/125Vac	2	OFF-ON
2210	YR18-24B-3	Momentary Push Button Switches	Red	3A/250Vac	2Pin	OFF-(ON)



FEATURES:

- Proof voltage: 1,500 V AC
- Contact resistance: 20 MΩ max.
- Electrical life: 50,000 min.
- Mechanical life: 100,000 min.
- Circuitry : S. P. S. T
- Contact rating: 1A 250VAC
- Insulated resistance: 100MΩ
- Type: OFF-ON

SCALE 1.5: 2.44



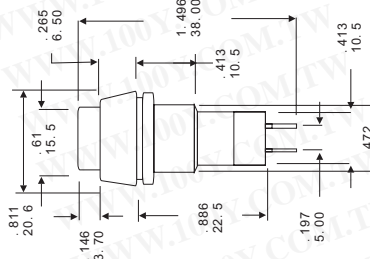
Colors: ● ●

Part No.	Product No.	Description	Button/Body Color	Contact Rating	Pins/Terminal Type	Contact Function
5680	YR18-25A-3	Alternative Push Button Switches	Red	3A/250Vac	2	OFF-ON
7902	YR18-25A-5	Alternative Push Button Switches	Yellow	3A/250Vac	2P	OFF-ON
7899	YR18-25B-302	Momentary Push Button Switches	Red	3A/250Vac	2P	OFF-ON
7901	YR18-25B-502	Momentary Push Button Switches	Yellow	3A/250Vac	2P	OFF-ON

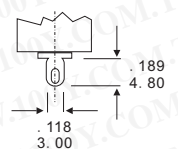
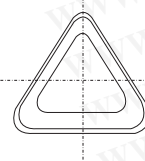


FEATURES:

- Proof voltage: 1,500 V AC
- Contact resistance: 20 MΩ max.
- Electrical life: 50,000 min.
- Mechanical life: : 100,000 min.
- Circuitry : S. P. S. T
- Contact rating: 1A 250VAC
- Insulated resistance: 100MΩ
- Type: OFF-ON



SCALE 1.5: 2.5



Colors: ● ●

Part No.	Product No.	Description	Button/Body Color	Contact Rating	Pins/Terminal Type	Contact Function
3394	YR18-26A-3	Push Button Switches	Red	3A/250Vac	2	OFF-ON
3393	YR18-26B-3	Momentary Push Button Switches	Red	3A/250Vac	2	OFF-ON

- We provide a wide range of products to development and maintenance engineers in all type of business
- If you cannot find the components you want on the catalogue, please call us.

Taiwan: 886-3-5753170
Shanghai: 021-54151736 Shenzhen: 0755-83298787

Centenary Materials
Waiting for your phone call



T E L : Taiwan: 886-3-5753170
F A X : Taiwan: 886-3-5753172
E-mail : Taiwan: us_sale@100y.com.tw

Shenzhen: 86-755-83298787
Shenzhen: 86-755-83640655
Shenzhen: 100y@163.com

Shanghai: 86-21-54151736
Shanghai: 86-21-64605107
Shanghai: 100y-1@163.com