

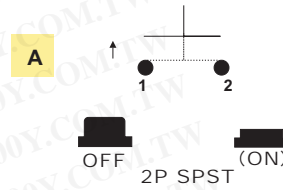
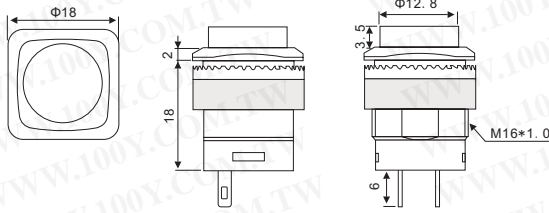
Switches & Control Gear

Miniature, Sub-Miniature Panel Mounting

Detailed product specifications are available on: us.100y.com.tw

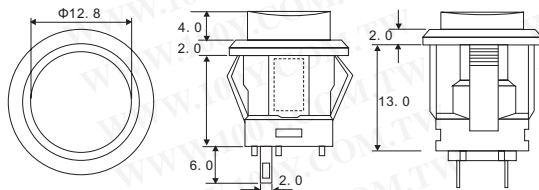


Color: ●●



Rating	
3A 125V AC	
1.5A 250V AC	
Contact resistance	
50mΩ Max	
Insulated resistance	
DC 500V 100MΩ Min	
Dielectric strength	
AC 1500V 1 minute	
Cut-out	

Part No.	Product No.	Description	Button/Body Color	Contact Rating	Pins/Terminal Type	Contact Function
32528	R13-508AL-05	Momentary Push Button Switches w/3VdcLED	Red with 3Vdc LED	3A125VAC/1.5A250VAC	4P/SO Solder	OFF-(ON) SPST
14132	R13-508BL-05	Momentary Push Button Switches w/3VdcLED	Red with 3Vdc LED	3A125VAC/1.5A250VAC	4P/SO Solder	OFF-ON SPST



FEATURES:

- Material: Frames are nylon (UL flame: 94V-2). Terminals are silver plated brass
- Illuminated actuators are molded in PC, available with red amber, and green colors

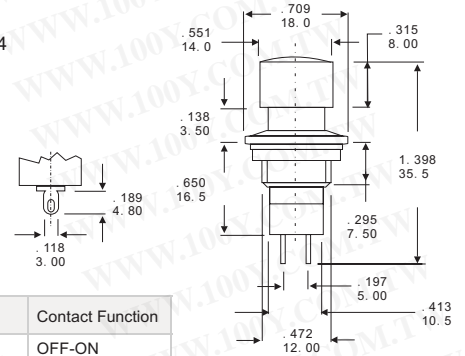
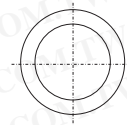
Part No.	Product No.	Description	Button/Body Color	Contact Rating	Pins/Terminal Type	Contact Function
51454	R13-523AL-05	Momentary Push Button Switches with LED	Red with LED	3A125VAC/1.5A250VAC	4P/SO Solder	OFF-(ON) SPST
50657	R13-541CL	Push Button Switches	Green /Black	16A250VAC,1HP250VAC,1/2HP125VAC	3P/250 SQ	(ON)-OFF SPST



SPECIFICATIONS

- Proofvoltage: 1,500 V AC
- Contact resistance: 20 MΩ max.
- Electrical life: 50,000 min.
- Mechanical life: 100,000 min.
- Circuitry : S. P. S, T
- Contact rating: 1A 250VAC
- Insulation resistance: 100MΩ
- Type: OFF-ON
- Color: ●

SCALE 1,5,2,4,4



Part No.	Product No.	Description	Button/Body Color	Contact Rating	Pins/Terminal Type	Contact Function
39087	R18-24A-501	Push Button Switches	Yellow	3A/125Vac	2	OFF-ON



Part No.	Product No.	Manufacturer	Description	Contact Function
39180	T21FR-IC	TEND	Miniature, Sub-Miniature Panel Mounting	OFF-ON
39385	TBM-251-R	TEND	Miniature, Sub-Miniature Panel Mounting	OFF-ON

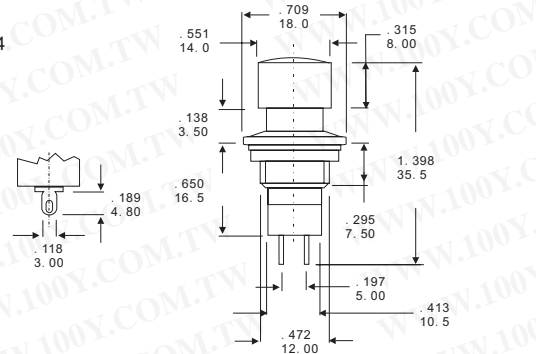
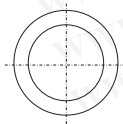


FEATURES:

- Proof voltage: 1,500 V AC
- Contact resistance: 20 MΩ max.
- Electrical life: 50,000 min.
- Mechanical life: 100,000 min.
- Circuitry : S. P. S, T
- Contact rating: 1A 250VAC
- Insulated resistance: 100MΩ
- Type: OFF-ON

Color: ●●

SCALE 1,5,2,4,4



Part No.	Product No.	Description	Button/Body Color	Contact Rating	Pins/Terminal Type	Contact Function
3382	YR18-21A-3	Alternative Push Button Switches	Red	3A/250Vac	2 Pin	OFF-ON
7905	YR18-21A-5	Alternative Push Button Switches	Yellow	3A/250Vac	2P	OFF-ON
3395	YR18-21B-3	Momentary Push Button Switches	Red	3A/250Vac	2	OFF-(ON)
7900	YR18-21B-5	Momentary Push Button Switches	Yellow	3A/250Vac	2P	OFF-ON

