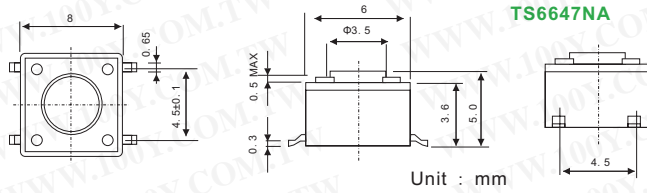


Switches & Control Gear

SMD Miniature Push Button Switches

Detailed product specifications are available on: us.100y.com.tw



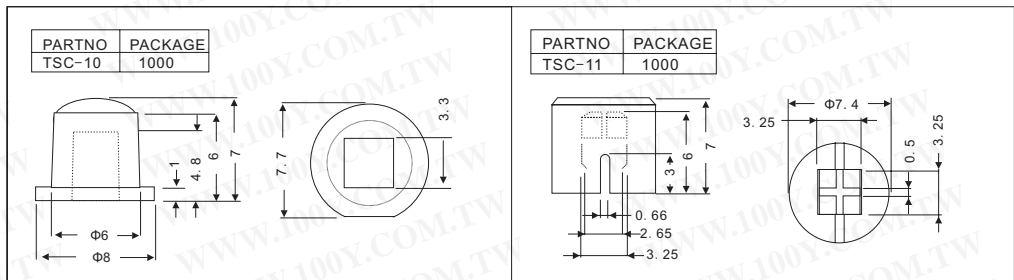
Part No.	Product No.	Manufacturer	Description	Pins	Type	Contact Rating	Button Color
23421	TS6647NA-160G-N	Kingtek	SMD Switch	4	OFF-ON Stepless	12Vdc/50mA	Black
23422	TS6647SA-160g-N	Kingtek	SMD Switch 6*6*5mm	4	OFF-ON Stepless	12Vdc/50mA	Black

Tact SW Cap

Detailed product specifications are available on: us.100y.com.tw



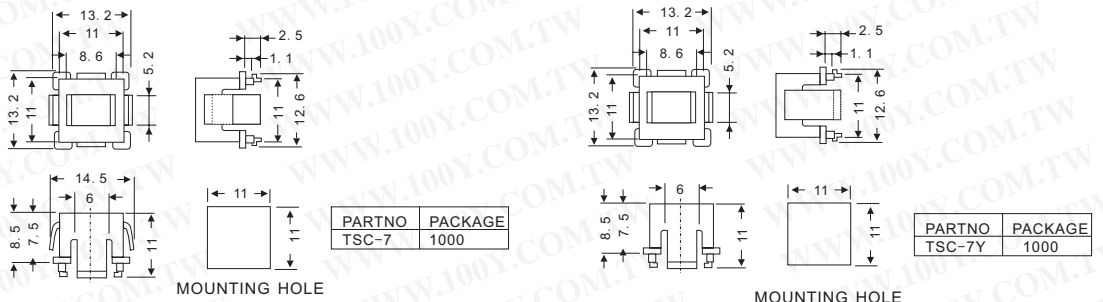
MATERIAL:ABS(UL)
FLAME CLASS:94-HB
UNIT:mm



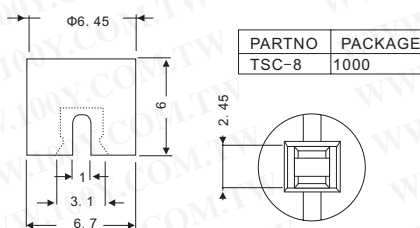
Part No.	Product No.	Description
46672	TSC-10B	TACT SWITCH CAP
46673	TSC-11S	TACT SWITCH CAP



MATERIAL:ABS(UL)
FLAME CLASS:94-HB
UNIT:mm



Part No.	Product No.	Description
46671	TSC-7V0B	TACT SWITCH HOLDER
46670	TSC-7YV0	TACT SWITCH HOLDER



MATERIAL:ABS(UL)
FLAME CLASS:94V-2
UNIT:mm

Part No.	Product No.	Description
46669	TSC-8	TACT SWITCH CAP

Push Button Switches-Panel Mounting

Detailed product specifications are available on: us.100y.com.tw



Part No.	Product No.	Description	Button/Body Color	Contact Function
41394	2SWA-E	Contact Block	For : E2 Series	1NO
41404	2SWB-E	Contact Block	For : E2 Series	1NC

