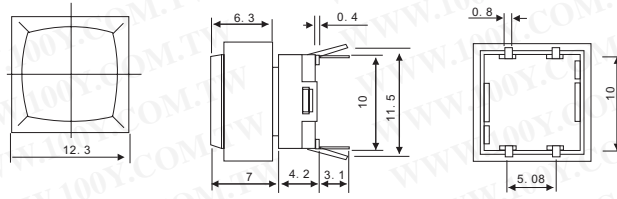


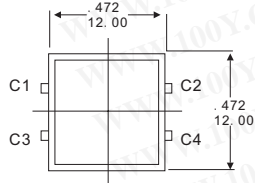
Switches & Control Gear

Miniature PCB- Keypswitches

Detailed product specifications are available on: us.100y.com.tw

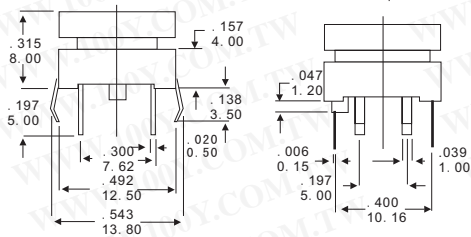


Part No.	Product No.	Manufacturer	Description	Pins	Type	Contact Rating
18417	JB-15LRP2/AT-4060-R	NKK	DIP Pushbutton Switches	6P	OFF(ON) SPST	50mA/24Vdc

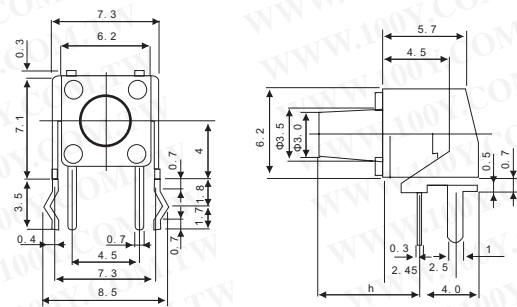


SPECIFICATIONS

- Operating temperature: 10°C~60°C
- Ambient humidity: 85% RH Max.
- Contact arrangement: S. P. S. T
- LED Rating: 50mA/12VDC Voltage 6V Max, Current 20mA Max
- Contact resistance: 100mΩ Max (initial)
- Insulation resistance: 100mΩ Min
- Dielectric withstanding voltage: 250VAC, 1minute
- Operating force: 250gf (Max)
- Total travel: 0.3mm±0.1mm
- Operating life: 300,000 cycles Min
- Malfunction durability: 10 to 55 Hz 0.75mm double amplitude during 2 hours

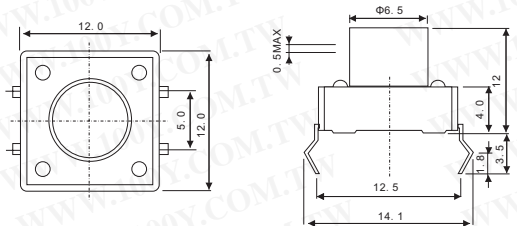


Part No.	Product No.	Manufacturer	Description	Pins	Type	Contact Rating
14909	LP-12-Y	TAIWAY	Illuminated Tact Switches	6P	SPST	50Ma/12VDC Voltage 6V Max 20mA Max



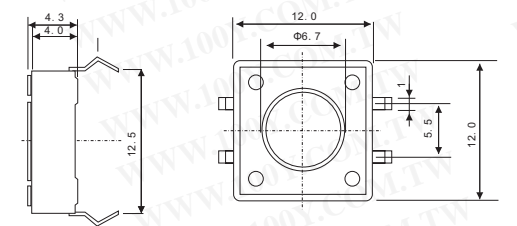
Test conditions: 5~35°C, 45~85% RH
 Operating temperature: -20~70°C (Normal humidity, Normal pressure)
 Rating: 12V DC, 50mA
 Operating force: 130±30gf
 Travel: 0.25±0.1mm
 Contact resistance: 50mΩ Max
 Life: 100,000 cycles

Part No.	Product No.	Manufacturer	Description	Pins	Type	Contact Rating
23540	TS-6601VD	Kingtek	DIP Pushbutton Switches	2	OFF-ON	12Vdc, 50mA



Test conditions: 5~35°C, 45~85% RH
 Operating temperature: -20~70°C (Normal humidity, Normal pressure)
 Rating: 12V DC, 50mA
 Operating force: 160±30gf
 Travel: 0.3±0.15mm
 Contact resistance: 100mΩ Max
 Life: 100,000 cycles

Part No.	Product No.	Manufacturer	Description	Pins	Type	Contact Rating
47309	TS2201D-160g	Kingtek	DIP Pushbutton Switches	4	OFF-ON Stepless	12Vdc/50mA



Part No.	Product No.	Manufacturer	Description	Pins	Type	Contact Rating
6667	TS2201H	Kingtek	DIP Pushbutton Switches	4	OFF-ON Stepless	12Vdc, 50mA

