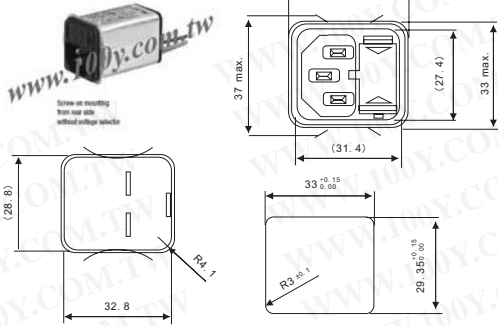


Inductors & Filters

IEC Inlet Filters

Detailed product specifications are available on: us.100y.com.tw



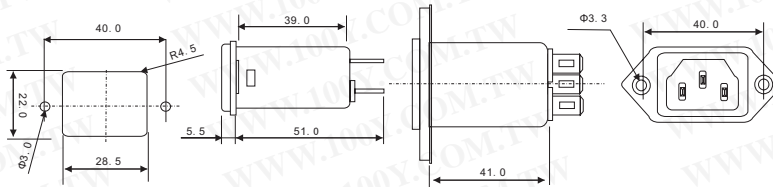
Characteristics

- Rear side mounting for efficient cost-saving assembly
- Suitable for assembly in metal plated plastic housings
- All single elements are already wired
- Plug removal necessary for fuse-link replacement
- The fuse drawer "Fingergrasp" can be removed by hand
- For added safety "Extra-Safe" fuse drawers are available
- Fuse drawer meets requirements of medical standard IEC/EN 60601-1
- The fuseholder is accessible from the equipment front
- Qualified for use in equipment according IEC/EN 60950

Part No.	Product No.	Manufacturer	Description	Current (Amp)	Vol.
45525	4301.5203	SCHURTER	EMI Filter	2A	250Vac



Part No.	Product No.	Description	Current (Amp)	Vol.
41793	CW1B-03A-T	AC Series EMI Power Line Filter	3A	250V
41790	CW1B-06A-T	AC Series EMI Power Line Filter	6A	250V



SPECIFICATION

1. Max. Leakage current (each)
Line to ground: 115V AC 60Hz 0.25mA
Line to ground: 250V AC 50Hz 0.45mA
2. Hipot rating (one minute)
Line to ground: 2250V DC
Line to line: 145 V DC
3. Power line frequency: 50/60Hz
4. Rated voltage: 115/250V AC
5. Operating temp: -25~85°C

Part No.	Product No.	Description	Current (Amp)	Vol.
39186	CW1D-06A-T(51)	AC Series EMI Power Line Filter	6A	250V
39451	CW1D-06A-T(52)	AC Series EMI Power Line Filter	6A	250V
42912	CW1D-10A-T	AC Series EMI Power Line Filter	10A	115/250V



Specifications:

- Rated Voltage: 115/250 VAC
- Power Line Frequency: 50/60 Hz
- Rated Current: 1, 2, 3, and 6 Amps.
- Maximum Leakage Current: Line-to-Ground
@ 115 VAC 60 Hz 0.5 mA
@ 250 VAC 50 Hz 1.0 mA
- Test Voltage: Line-to-Ground: 2250 VDC, one minute.
Line-to-Line: 1450 VDC, one minute.

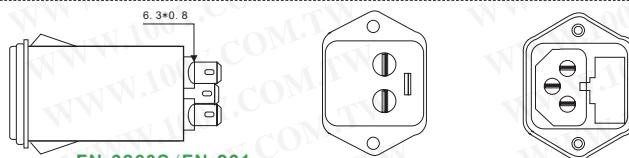
Introduction:

The AB and AC series RFI/EMI power line filters are designed for general purpose to reduce line-to-ground (common mode) interference. They are compact, with IEC power line connector, and can be easily mounted on the panel of instruments. These filters meet low leakage requirements while operating on AC lines of 115 to 250 volts 50/60Hz, and are available in current ratings of 1, 3, and 6 amps. Safety and construction are in compliance with UL, CSA, VDE, NEMKO, SEV, SETI, SEMKO, and DEMKO.

Part No.	Product No.	Description	Current (Amp)	Vol.
4254	EMI-03AC1	AC Series EMI Power Line Filter	3A	115/250V



Part No.	Product No.	Manufacturer	Description	Current (Amp)	Vol.
49743	FN2060-30-08	Schaffner	Multi-stage general purpose EMI filter	30A	250Vac



Part No.	Product No.	Manufacturer	Description	Current (Amp)	Vol.
49727	FN261-10-06	Schaffner	General purpose power entry module with fuses(Inlet+1 Fuse)	10A	250Vac
49724	FN261-2-06	Schaffner	General purpose power entry module with fuses(Inlet+1 Fuse)	2A	250Vac
49725	FN261-4-06	Schaffner	General purpose power entry module with fuses(Inlet+1 Fuse)	4A	250Vac
49726	FN261-6-06	Schaffner	General purpose power entry module with fuses(Inlet+1 Fuse)	6A	250Vac

