

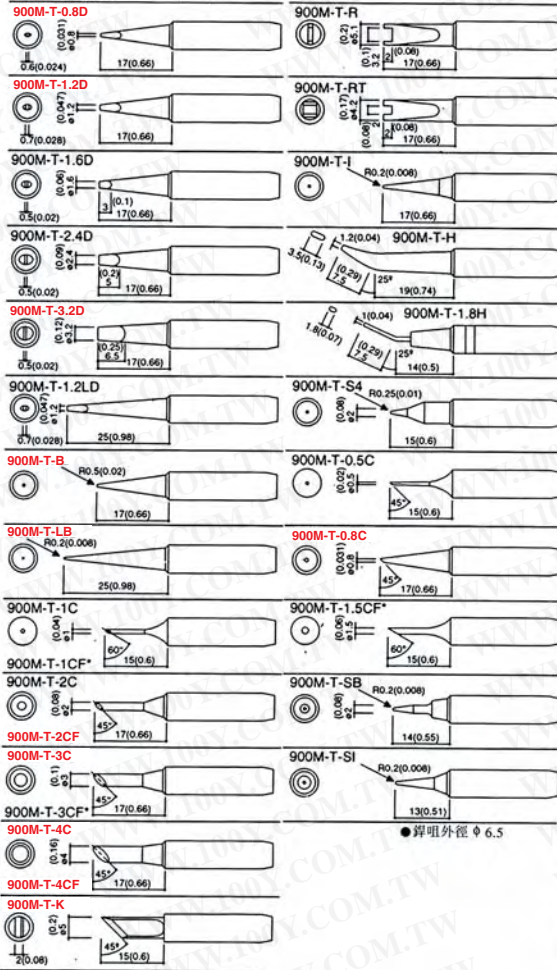
Soldering & Desoldering

HAKKO_Soldering + Available Tip Shape

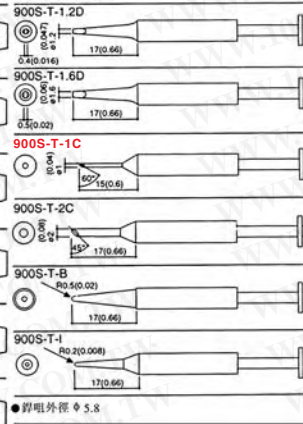
Detailed product specifications are available on: us.100y.com.tw

HAKKO (日製烙鐵頭)

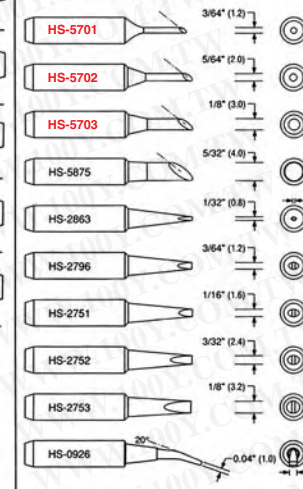
900M 系列



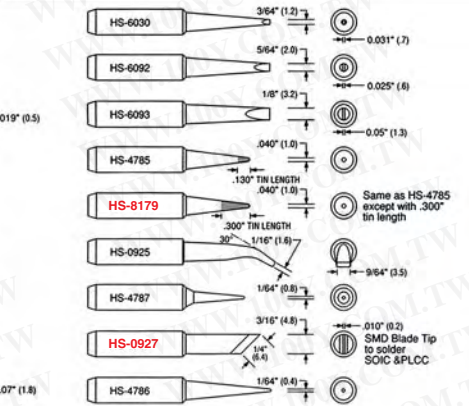
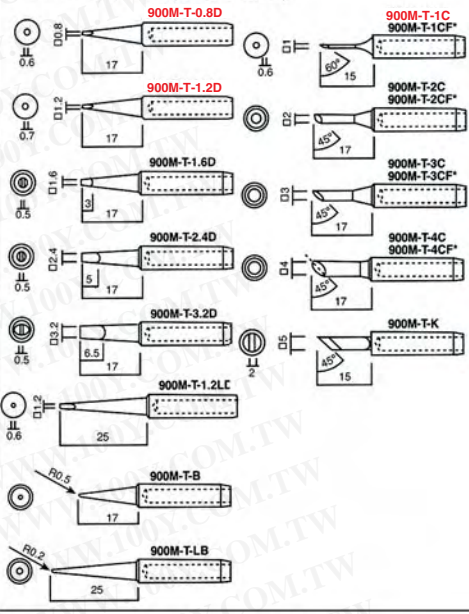
900S 系列



PLATO (美製烙鐵頭)



SOLOMON (台製烙鐵頭)



Part No.	Product No.	Manufacturer	Description	Output power W	Solder Type	Handpiece (mm)	Length(mm)	Suitable voltage	The range of control temperature °C
11529	900M-T-0.8C-Made from japan	HAKKO	Soldering Iron Tip		900M,376,933,935M,907,913	0.8mm	43mm		
4720	900M-T-0.8D	HAKKO	Soldering Iron Tip		HAKKO 907,900,933	0.8mm	42.5mm		
14582	900M-T-0.8D- Made of taiwan	SOLOMON	Soldering Iron Tip		HAKKO 907,900,933	0.8mm	42.5mm		
8284	900M-T-1.2D	HAKKO	Soldering Iron Tip		HAKKO 935M,907,913,933	1.2mm	43mm		
14583	900M-T-1.2D- Made of taiwan	SOLOMON	Soldering Iron Tip		HAKKO 935M,907,913,933	1.2mm	43mm		
48162	900M-T-1.6D	HAKKO	Soldering Iron Tip		900M,376,933,935M,907,913	1.6mm			
40808	900M-T-2.4D	HAKKO	Soldering Iron Tip			2.4mm	43mm		
36278	900M-T-2C	HAKKO	Soldering Iron Tip		HAKKO 935M,907,913,900M,376,933	2mm			
12274	900M-T-2CF	HAKKO	Soldering Iron Tip		HAKKO 935M,907,913,900M,376,933	2mm	43mm		
3257	900M-T-3.2D	HAKKO	Soldering Iron Tip		HAKKO 900M,376,933,935M	3.2mm	43mm		
8039	900M-T-3CF	HAKKO	Soldering Iron Tip		HAKKO 900M,376,933,935M,907,913	3mm	42.5mm		
12620	900M-T-4C	HAKKO	Soldering Iron Tip		HAKKO 936	4mm	43mm		
12440	900M-T-4CF	HAKKO	Soldering Iron Tip		HAKKO 935M,907,913,900M,376,933	4.0mm	43mm		
3524	900M-T-B	HAKKO	Soldering Iron Tip		HAKKO 907,900M,933	0.5mm	42.5mm		
16500	900M-T-B-Made of taiwan		Soldering Iron Tip		HAKKO 907,900M,933	0.5mm	42.5mm		
42869	900M-T-I	HAKKO	Soldering Tip	60W	936		17	AC 24V	200°C - 480°C
14731	900M-T-K	HAKKO	Soldering Iron Tip		HAKKO936、937	5mm	42mm		
27110	900M-T-K- Made of taiwan		Soldering Iron Tip		HAKKO936、937	5mm	42mm		
3256	900M-T-LB	HAKKO	Soldering Iron Tip		HAKKO 900M,376,933,935M	0.2mm	49.9mm		
16501	900M-T-LB- Made of taiwan		Soldering Iron Tip		HAKKO 900M,376,933,935M	0.2mm	49.9mm		
34916	900M-T-R	HAKKO	Soldering Iron Tip		HAKKO 900M,933,935M,376,907,913				
34917	900M-T-RT	HAKKO	Soldering Iron Tip		HAKKO 900M,933,935M,376,907,913	0.08mm	43mm		
21400	900M-T-S4	HAKKO	Soldering Iron Tip		HAKKO 936	0.08mm	43mm		



T E L : Taiwan: 886-3-5753170
 F A X : Taiwan: 886-3-5753172
 E-mail: Taiwan: us_sale@100y.com.tw

Shenzhen: 86-755-83298787
 Shenzhen: 86-755-83640655
 Shenzhen: 100y@163.com

Shanghai: 86-21-54151736
 Shanghai: 86-21-64605107
 Shanghai: 100y-1@163.com