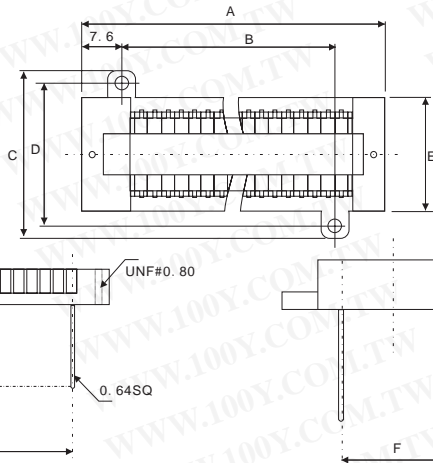


# Sockets & Accessories

## Receptacles For DIP Sockets

Detailed product specifications are available on: [us.100y.com.tw](http://us.100y.com.tw)

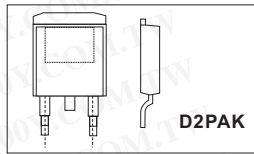


Pins	A	B	C	D	E	F	N
14	32.6	15.2	25.4	20.8	15.2	7.62 (300mil)	6
16	34.9	17.8	24.1	19.7	14.0	7.62 (300mil)	7
18	37.5	20.3	24.1	19.6	14.0	7.62 (300mil)	8
20	40.2	22.9	25.4	20.8	15.2	7.62 (300mil)	9
22	42.9	25.5	26.9	22.1	16.5	10.16 (400mil)	10
24	45.0	27.9	24.4	19.6	14.2	7.62 (300mil)	11
28	50.3	33.0	26.9	22.5	16.8	10.16 (400mil)	13
40	65.5	48.3	42.2	37.6	32.0	25.40 (1000mil)	19
64	100.3	82.4	43.2	38.6	33.0	22.86 (900mil)	31

Part No.	Product No.	Manufacturer	Description	Dis. Between Row mil	Upper/ Receptacle	Temperature Endurance °C	Pins/Pitch
26220	214-3339-19-0206	3M	14P DIP Socket	300mil	Receptacle	-50~105°C	14P/2.54mm
11607	216-3340-19-0602J	3M	16P Receptacle DIP Socket	300mil	Receptacle	-50~150°C	16Pins/2.54mm
11181	218-3341-00-0602J	3M	18P Receptacle DIP Socket	300mil	Receptacle	-50~150°C	18Pins/2.54mm
11177	220-3342-00-0602J	3M	20P Receptacle DIP Socket	300mil	Receptacle	-50~150°C	20Pins/2.54mm
12197	222-3343-19-0602J	3M	22P Receptacle DIP Socket	400mil	Receptacle	-50~150°C	22Pins/2.54mm
11180	224-1275-19-0602J	3M	24P Receptacle DIP Socket	600mil	Receptacle	-50~150°C	24Pins/2.54mm
27012	224-5240-19-0602J	3M	24P Receptacle DIP Socket	300mil	Receptacle	-50~150°C	24Pins/2.54mm
11147	228-1277-19-0602J	3M	28P Receptacle DIP Socket	600mil	Receptacle	-50~150°C	28Pins/2.54mm
3833	232-1285-39-0602J	3M	32P Receptacle DIP Socket	600mil	Receptacle	-50~150°C	32P/2.54mm
7111	240-1280-19-0602J	3M	40P Receptacle DIP Socket	600mil	Receptacle	-50~150°C	40P/2.54mm
14425	242-1281-19-0602J	3M	42P Receptacle DIP Socket	600mil	Receptacle	-50~150°C	42P/2.54mm
14512	242-1293-09-0602J	3M	42P Receptacle DIP Socket	600mil	Receptacle	-50~150°C	42Pins/1.78mm
10337	248-1282-19-0602J	3M	48P Receptacle DIP Socket	600mil	Receptacle	-50~150°C	48Pins/2.54mm
12139	264-1300-09-0602J	3M	64P Receptacle DIP Socket	800mil	Receptacle	-50~150°C	64P/1.78mm

## Other Sockets

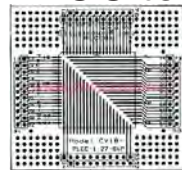
Detailed product specifications are available on: [us.100y.com.tw](http://us.100y.com.tw)



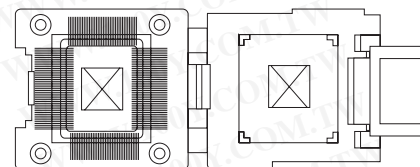
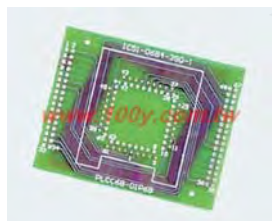
Part No.	Product No.	Description	Suitable IC Package	Pins/Pitch
29479	03660-031-6215	D2PAK SOCKET	D2PAK	3P

## Chiptool Testing Socket Adaptors PLCC to DIP PCB Adaptors

Detailed product specifications are available on: [us.100y.com.tw](http://us.100y.com.tw)



Part No.	Product No.	Description	Pins
11151	CV18-PLCC-1.27-84P	PLCC(1.27mm Pitch) to DIP PCB Adaptor	84Pins



ITEM NO. : CVT-P68-D68 (CLAM SHELL)  
 PAGE NO. : 5462  
 IC SIZE: 25.3\*25.3  
 PITCH: 1.27  
 REMARK: SOCKET NAME : IC 51-0684-390-1  
 SPECIFICATION PLCC 68 PIN

Part No.	Product No.	Description	Pins
12587	PLCC68PIN390PCB	PLCC to DIP PCB Adaptors	68Pins

- We provide a wide range of products to development and maintenance engineers in all type of business
- If you cannot find the components you want on the catalogue, please call us.



Taiwan: 886-3-5753170

Shanghai: 021-54151736 Shenzhen: 0755-83298787

# Centenary Materials

Waiting for your phone call



T E L : Taiwan: 886-3-5753170  
 F A X : Taiwan: 886-3-5753172  
 E-mail: Taiwan: [us\\_sale@100y.com.tw](mailto:us_sale@100y.com.tw)

Shenzhen: 86-755-83298787  
 Shenzhen: 86-755-83640655  
 Shenzhen: [100y@163.com](mailto:100y@163.com)

Shanghai: 86-21-54151736  
 Shanghai: 86-21-64605107  
 Shanghai: [100y-1@163.com](mailto:100y-1@163.com)