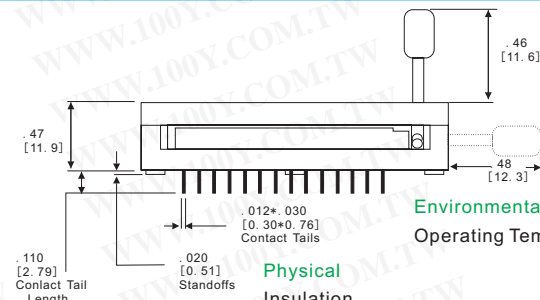
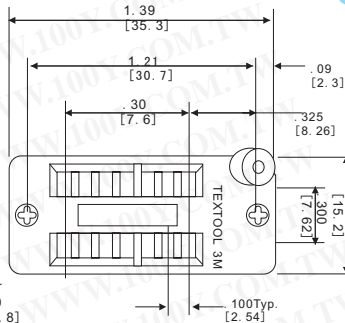
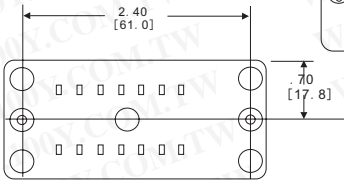


# Sockets & Accessories

## Universal ZIF Sockets

Detailed product specifications are available on: [us.100y.com.tw](http://us.100y.com.tw)



**Environmental**  
Operating Temperature Rating:  
-55°C to +150°C

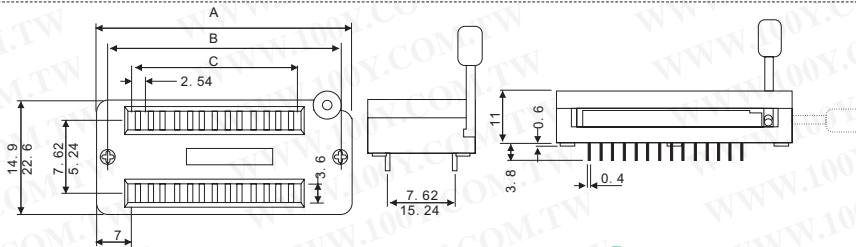
**Physical**  
Insulation  
Material: Glass Filled Polysulfone  
Flammability: UL 94V-0  
Color: Green  
Marking: 3M Logo & Part Number Identifier  
Contact  
Material: Beryllium Copper  
Plating: 30 μ" (0.76 μm) Gold over 50 μ" (1.3 μm) Nickel

- For DIPs with .100" (2.54 mm) lead spacing
- Pin counts for 14-64 leads
- Lever actuated zero insertion force mechanism
- Socket easily disassembles for repairability
- Socket contact point of .110" (2.79 mm) below top surface of socket

**Electrical**

Current Rating: 1 Amp  
Insulation Resistance: > 1x10<sup>9</sup> Ω at 500 Vdc  
Withstanding Voltage: 1000 Vrms at Sea Level

Part No.	Product No.	Manufacturer	Description	Pins/Pitch	Dis. Between Row mil	Upper /nether	Temperature Endurance °C
9930	216-3340-00-0602J	3M	16P DIP Socket	16Pins/2.54mm	300mil	Upper	-50~150°C



Position	A	B	C
14	33.2	28.7	16.24
16	35.7	31.2	17.78
20	40.8	36.3	22.86
24	45.9	41.4	27.94
28	51.0	46.5	33.03
32	56.1	51.6	38.10
40	66.2	61.7	48.26
48	76.4	71.9	58.42

**Material:**

Housing: 30% Glass filled PBT UL94V-0  
Contacts: Phosphor Bronze  
Plating: Gold plated: 3u" over 50u" nickel  
Tin plated: 100u" over 50u" nickel

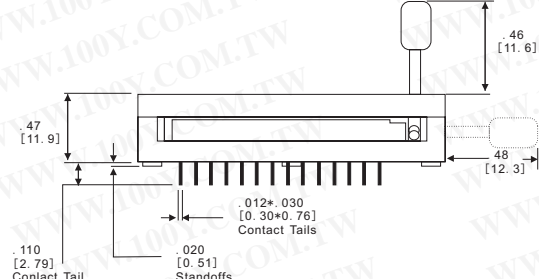
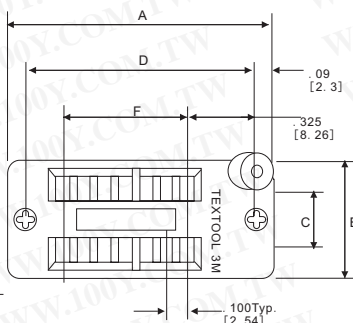
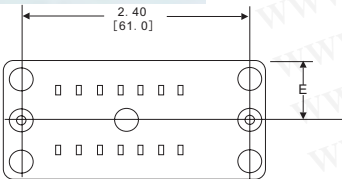
**Electrical Characteristics:**

Current Rating: 1 AMP  
Insulator Resistance: 5000MΩmin. at DC 500V  
Contact Resistance: 20mΩmax. at DC 100mA  
Operating Temperature: -55°C~+105°C

**Features:**

For DIPs with ~100" lead spacing.  
Lever actuated zero insertion force mechanism.  
Socket easily disassembles for repairability.  
Socket contact point of .110" below top surface of socket.

Part No.	Product No.	Description	Pins/Pitch	Dis. Between Row mil	Upper /nether	Temperature Endurance °C
15140	216-3345-NARROW	16P DIP Socket	16P/2.54mm	300mi	Upper	-50~105°C
15139	218-3345-NARROW	18P DIP Socket	18P/2.54mm	300mil	Upper	-50~105°C
15138	220-3345-NARROW	20P DIP Socket	20P/2.54mm	300mil	Upper	-50~105°C
15137	224-3345-NARROW	24P DIP Socket	24P/2.54mm	300mil	Upper	-50~105°C
15144	228-1290-00	28P DIP Socket	28P/1.778mm	400mil	Upper	-50~105°C
15136	228-3345-NARROW	28P DIP Socket	28P/2.54mm	300mil	Upper	-50~105°C
15142	232-6182-UNIVERSAL	32P DIP Socket	32P/2.54mm	300~600mil	Upper	-50~105°C
34629	240-6182-00	40P Green Tin Plated DIP Socket	40P/2.54mm	300~600mil	Upper	-50~105°C
15143	240-6182-10	40P Gold Plated DIP Socket	40P/2.54mm	300~600mil	Upper	-50~105°C
15145	242-1293-00	42P DIP Socket	42P/1.778mm	600mil	Upper	-50~105°C
15146	256-1293-00	56P DIP Socket	56P/1.778mm	600mil	Upper	-55~105°C



**Physical**  
Insulation  
Material: Glass Filled Polysulfone  
Flammability: UL 94V-0  
Color: Green  
Marking: 3M Logo & Part Number Identifier  
Contact  
Material: Beryllium Copper  
Plating: 30 μ" (0.76 μm) Gold over 50 μ" (1.3 μm) Nickel

- For DIPs with .100" (2.54 mm) lead spacing
  - Pin counts for 14-64 leads
  - Lever actuated zero insertion force mechanism
  - Socket easily disassembles for repairability
  - Socket contact point of .110" (2.79 mm) below top surface of socket
- Electrical**  
Current Rating: 1 Amp  
Insulation Resistance: > 1x10<sup>9</sup> Ω at 500 Vdc  
Withstanding Voltage: 1000 Vrms at Sea Level
- Environmental**  
Operating Temperature Rating:  
-55°C to +150°C



T E L : Taiwan: 886-3-5753170  
F A X : Taiwan: 886-3-5753172  
E-mail: Taiwan: [us\\_sale@100y.com.tw](mailto:us_sale@100y.com.tw)

Shenzhen: 86-755-83298787  
Shenzhen: 86-755-83640655  
Shenzhen: [100y@163.com](mailto:100y@163.com)

Shanghai: 86-21-54151736  
Shanghai: 86-21-64605107  
Shanghai: [100y-1@163.com](mailto:100y-1@163.com)