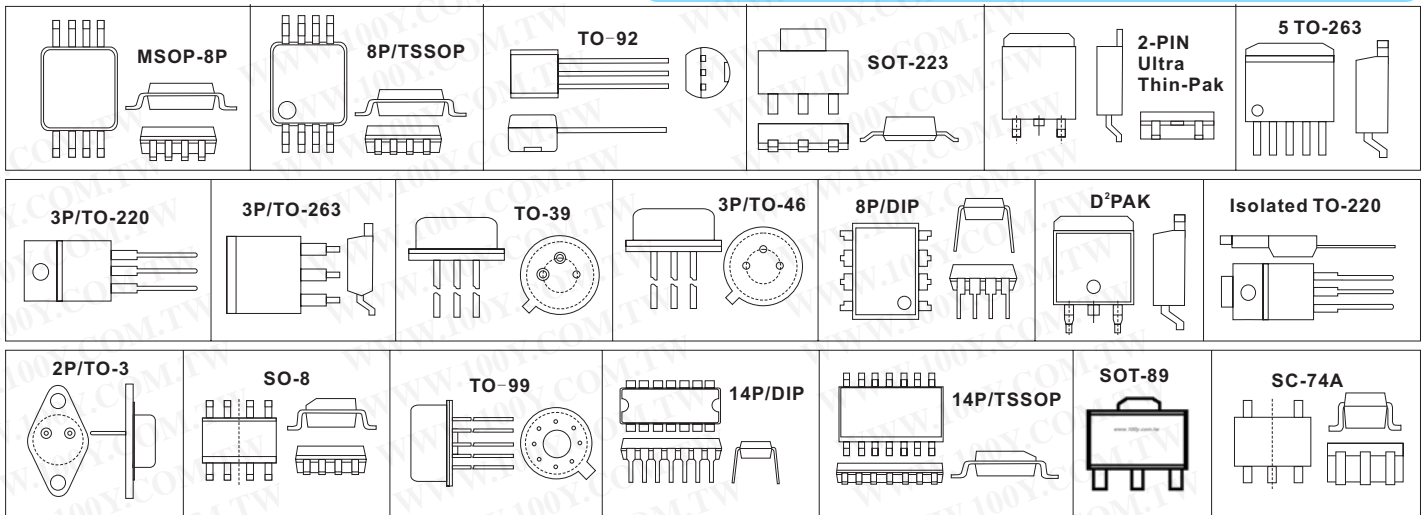


Power & Control IC

Adj. Voltage Regulators

Detailed product specifications are available on: us.100y.com.tw



Part No.	Product No.	Manufacturer	Description	Pins/Package	Vout/Iout	Temp. Range
29052	ADP3335ARM-5	ADI	ADI_High Accuracy Ultralow Iq, 500 mAAnyCAP® Low Dropout Regulator	MSOP-8P	5 V	-65~150°C
33636	ADS1202IPWT	T.I.	Motor Control Current Shunt 1-Bit, 10MHz, 2nd-Order, Delta-Sigma Modulator	TSSOP-8	2.5V	-40°C to +85°C
41069	HA17431VPTZ-E	RENESAS	High-Precision Variable Shunt Regulator(Pb Free)	TO-92	16V	-20°C to 85°C
34390	IRU1010CY	IR	1A LOW DROPOUT POSITIVE ADJUSTABLE REGULATOR	3P/SOT-223		0°C ~ +150°C
34391	IRU1050CP	IR	5A LOW DROPOUT POSITIVE ADJUSTABLE REGULATOR	2-PIN Ultra Thin-Pak		0°C To 150°C
34393	IRU1150CM	IR	4A ULTRA LOW DROPOUT POSITIVE ADJUSTABLE REGULATOR	5-PIN TO-263		0°C To 125°C
34394	IRU1175CM	IR	7.5A ULTRA LOW DROPOUT POSITIVE ADJUSTABLE REGULATOR	5-PIN TO-263		0°C To 125°C
34395	IRU1206-25CY	IR	1A VERY LOW DROPOUT POSITIVE FIXED AND ADJUSTABLE REGULATORS	3-PIN SOT-223		0°C To 125°C
34484	KA317	Fairchild	Adjustable Voltage Regulator (Positive)	TO-220		0°C ~ +125°C
34485	KA337	Fairchild				
34488	KA350	Fairchild	3-Terminal 3A Positive Adjustable Voltage Regulator	TO-220		0°C to + 125°C
22637	KA431AZTA	Fairchild	Programmable Shunt Regulator	3P/TO-92	36V	-25 -85°C
34490	KA7810	Fairchild	3-Terminal 1A Positive Voltage Regulator	3P/TO-220		0 ~ + 125°C
34492	KA7815	Fairchild	3-Terminal 1A Positive Voltage Regulator	3P/TO-220		0 ~ + 125°C
34494	KA7824	Fairchild	3-Terminal 1A Positive Voltage Regulator	3P/TO-220		0 ~ + 125°C
34541	L200CV	ST(SGS)	ADJUSTABLE VOLTAGE AND CURRENT REGULATOR	Pentawatt-5	2.85 V/2 A	-25 to 150 °C
34560	L4940V5	ST(SGS)	VERY LOW DROP 1.5 A REGULATORS	TO-220	5V/500 mA	-40 to 150 °C
39558	LM1086CS-3.3	N.S	1.5A Low Dropout Positive Regulators	3P/TO-263	3.3V/5A	0°C to +125°C
34634	LM1086CT-3.3	N.S	1.5A Low Dropout Positive Regulators	3-lead TO-220	3.3V/5A	0°C to +125°C
17530	LM1086CT-ADJ	N.S	1.5Amp Positive Voltage Regulator(1.5A Low Dropout Positive Regulators)	3P/TO-220	27V/1.5A	0°C to +125°C
15984	LM1086IS-3.3	N.S	1.5Amp Positive Voltage Regulator(1.5A Low Dropout Positive Regulators)	3P/TO-263	27V/1.5A	-40°C to +125°C
34635	LM1086IT-3.3	N.S	1.5A Low Dropout Positive Regulators	3-lead TO-220	3.3V/1.5A	740°C to +125°C
34636	LM1086IT-ADJ	N.S	1.5A Low Dropout Positive Regulators	3-lead TO-220	1.25V/1.5A	740°C to +125°C
34637	LM117H	N.S	3-Terminal Adjustable Regulator	TO-39	1.2V/0.5A	-55°C ~ +150°C
34613	LM217T	ST(SGS)	VOLTAGE REGULATOR	3P/TO-220	1.2V TO 37V/1.5A	-25 to 150°C
18471	LM234H	N.S	3-Terminal Adjustable Current Sources	3P/TO-46	40V/10mA	-25°C to +100°C
17323	LM2678S-3.3	N.S	SIMPLE SWITCHER High Efficiency 5A Step-Down Voltage Regulator	5P/TO-263	3.3V/5A	-65°C to 150°C
28071	LM305AP	T.I.	Positive Voltage Regulator	8P/DIP	4.5-40V/45mA	
14503	LM317	UTC	1.5 A Adjustable Output, Positive Voltage Regulator 1.5 A Adjustable Output,	3P/TO-252(D2PAK)	1.2V/100mA	-40°C to +125°C
34760	LM317AT	N.S	3-Terminal Adjustable Regulator	3P/TO-220	1.2V/1.5A	-40°C ~+125°C
41896	LM317BTG	ON-Semi.	1.5 A Adjustable Output, Positive Voltage Regulator	3P/TO-220		-55 to +150°C
35129	LM317D2T	ST(SGS)	1.2V TO 37V VOLTAGE REGULATOR	D2PAK	1.2 TO 37V/1.5A	0°C ~ +125°C
40411	LM317D2TG	ON-Semi.	1.5A, Adjustable Output, Positive Voltage Regulator	3P/D2PAK.	40V/1.5A	0°C ~ +125°C
6634	LM317K	N.S	3-Terminal Adjustable Regulator	2P/TO-3	1.2V/1.5A	0°C ~ +125°C
34761	LM317LD	ST(SGS)	LOW CURRENT 1.2V TO 37V ADJUSTABLE VOLTAGE REGULATOR	SO-8	1.2 to 37V/0.1A	0 to 125°C
13199	LM317LMX	N.S	10mA Adj. Regulator(3-Terminal Adjustable Regulator)	8P/SOIC	1.2V/100mA	-40°C to +125°C
48794	LM317LZ	N.S	3-Terminal Adjustable Regulator	3P/TO-92	40V/100mA	0 to 125°C
7845	LM317LZ	ST(SGS)	100mA adjustable pos. reg. (1.2V~37V)(Three-terminal adjustable output positive voltage regulator)	3P/TO-92	37V/100mA	-55 to 150°C
41061	LM317LZ	Fairchild	3-Terminal 0.1A Positive adjustable regulator	3P/TO-92	40V/100mA	0 to 125°C
1151	LM317T	N.S	3-terminal 1.5Amp adjustable voltage regulator	3P/TO-220	1.2-37V/1.5A	0°C ~ +125°C
41897	LM317T	ON-Semi.	1.5 A Adjustable Output, Positive Voltage Regulator	3P/TO-220		0°C ~ +125°C
19289	LM317T	ST(SGS)	1.5Amp adjustable voltage regulator	3P/TO-220	1.2-37V/1.5A	0°C ~ +125°C
38355	LM337D2T	ON-Semi.	Three-Terminal Adjustable Output Negative Voltage Regulator	D2PAK	-37V/1.5A	0° to +125°C
18528	LM337H	N.S	1.5A/Adj. Neg. Reg. (-1.2V~-37V)(3-Terminal Adjustable Negative Regulator)	3P/TO-220	-37V/1.5A	0°C to +125°C
6559	LM337K	N.S	1.5A/3 term. Adj. Neg. reg.(-1.2-37V)(1.5A Adjustable Negative Voltage Regulator)	2P/TO-3	-37V/1.5A	0°C to +125°C
40574	LM337LM	N.S	3-Terminal Adjustable Regulator	8P/SOIC	40V/100mA	-25° to +125°C
38438	LM337LMX	N.S	3-Terminal Adjustable Regulator	8P/SOP		
34764	LM337LZ	N.S	3-Terminal Adjustable Regulator	TO-92	1.2V/0.1A	-25°C to +125°C



T E L : Taiwan : 886-3-5753170
 F A X : Taiwan : 886-3-5753172
 E-mail : Taiwan : us_sale@100y.com.tw

Shenzhen : 86-755-83298787
 Shenzhen : 86-755-83640655
 Shenzhen : 100y@163.com

Shanghai : 86-21-54151736
 Shanghai : 86-21-64605107
 Shanghai : 100y-1@163.com