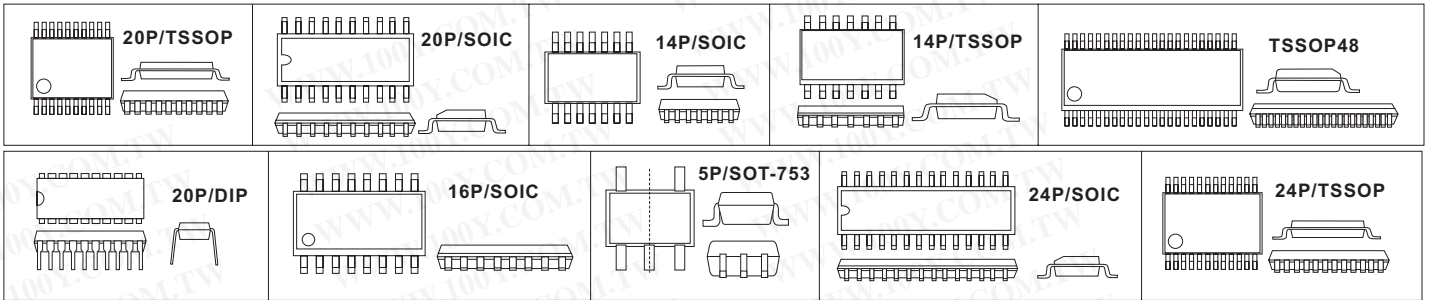


Logic IC

Other 74~Families

Detailed product specifications are available on: us.100y.com.tw



Part No.	Product No.	Manufacturer	Description	Pins/Package	Vcc(Supply voltage)	Operating Temp
49758	74LCX245MTR	ST(SGS)	LOW VOLTAGE CMOS OCTAL BUS TRANSCEIVER(3-STATE)	SOP-20P	2.0V to 3.6V	-55~125°C
19094	74LCX245WM	Fairchild	Low Voltage Bidirectional Transceiver with 5V Tolerant Inputs and Outputs	20P/SOIC	2~3.6V	-40~85°C
19095	74LCX373WM	Fairchild	Low Voltage Octal Transparent Latch with 5V Tolerant Inputs and Outputs	20P/SOIC	5V	-65 to +150°C
17011	74LV04D	PHILIPS	Hex Inverter	14P/SOIC	1~5.5V	-40~85°C
29053	74LVC00AD	PHILIPS	Quad 2-input NAND gate	14P/SOP		-40~85°C
20211	74LVC04AD	PHILIPS	Hex inverter	14P/SOIC	1.2~3.6V	-40 to +125 °C
35440	74LVC04APW	PHILIPS	Hex inverter	14P/TSSOP	1.2~3.6V	-40°C to +85°C
43047	74LVC08AD	PHILIPS	Quad 2-input AND gate	14P/SOIC	1.2V to 3.6V	-40~125°C
40702	74LVC08APW	PHILIPS	Quadruple 2-Input AND Gate	14P/TSSOP	1.2V~3.6V	-40~85°C
35436	74LVC125AD	PHILIPS	Quad buffer/line driver with 5-volt tolerant inputs/outputs 3-State	14P/SO	2.7~3.6V	-40°C to +125°C
35432	74LVC125APW	PHILIPS	Quad buffer/line driver with 5-volt tolerant inputs/outputs 3-State	14P/TSSOP	2.7~3.6V	-40°C to +125°C
48901	74LVC138AD	T.I.		SO-16	3.3 V	-40°C to +85°C
41681	74LVC138APW	PHILIPS	Quadruple 2-Input AND Gate	16P/TSSOP	1.2~3.6V	-40~85°C
17070	74LVC157	PHILIPS	Quad 2-input multiplexer	16P/SOIC(SOT109-1)	2.7~3.6V	-40~125°C
41971	74LVC157AD	PHILIPS	Quad 2-input multiplexer	SO16	2.7~3.6V	-40~125°C
28952	74LVC162244APV	IDT	16-bit buffer/line driver,5 V logic	48P/TSSOP	3.6V	-40~125 °C
47657	74LVC1G08GV	PHILIPS	3.3V PicoGate 2-Input AND Gate	5P/SOT-753	1.65~5.5V	-40°C ~ 125°C
19480	74LVC244AD	PHILIPS	tolerant inputs/outputs (3-state)	20P/SO	2.7 to 3.6V	-40 to +125 °C
47594	74LVC244ADB	PHILIPS	tolerant inputs/outputs (3-state)	20P/SSOP	2.7 to 3.6V	-40 to +125 °C
27828	74LVC244APW	PHILIPS	tolerant inputs/outputs (3-state)	20P/TSSOP	2.7 to 3.6V	-40 to +125 °C
17069	74LVC245AD	PHILIPS	Octal bus transceiver with direction pin; 3-state	20P/SOIC	2.7~3.6V	-40~85°C
19096	74LVC273	Panasonic	Octal D-type flip-flop with reset; positive-edge trigger	20P-SOIC	2.7~3.6V	-40~85°C
19482	74LVC273D	PHILIPS	Octal D-type flip-flop with reset; positive-edge trigger	20P	2.7~3.6V	-40~85°C
43567	74LVC32AD	PHILIPS	Quad 2-input OR gate	14P/SOIC	1.2~3.6V	-40~125°C
46043	74LVC32APW	PHILIPS	Quad 2-input OR gate	14P/TSSOP	1.2~3.6V	-40~125°C
39115	74LVC373AD	PHILIPS	Octal D-type transparent latch	20-SO	5	-40~85°C
39206	74LVC4245AD	PHILIPS	Octal dual supply translating transceiver	24P/SOIC	1.5~5.5V	-40 °C to +125 °C
28924	74LVC4245APW	PHILIPS	Octal dual supply translating transceiver	24P/TSSOP	1.5~5.5V	-40~85 °C
28024	74LVC4254ADB	PHILIPS	Octal dual supply translating transceiver; 3-state	SSOP24	1.5~5.5V	-40 to +85 °C
33951	74LVC541APW	PHILIPS	Octal buffer/line driver with 5-volt tolerant	20P/TSSOP		-40°C to +85°C
40194	74LVC573D	PHILIPS	Octal D-type transparent latch (3-state)	20P/SOP	1.2 V to 3.6 V	-40~85°C
35415	74LVCH162245ADGG	PHILIPS	16-bit bus transceiver with direction pin; 30ohm series termination resistors; 5V Input/Outputs tolerant 3-State	TSSOP48	2.7~3.6V	-40 to +125 °C
35413	74LVCH162245ADL	PHILIPS	16-bit bus transceiver with direction pin; 30ohm series termination resistors; 5V Input/Outputs tolerant 3-State	SSOP48	2.7~3.6V	-40 to +125 °C
35412	74LVCH16245ADGG	PHILIPS	16-bit bus transceiver with direction pin; 5V tolerant 3-State	TSSOP48	2.7~3.6V	-40 to +125 °C
35411	74LVCH16245ADL	PHILIPS	16-bit bus transceiver with direction pin; 5V tolerant 3-State	SSOP48	2.7~3.6V	-40 to +125 °C
35416	74LVCH244AD	PHILIPS	Octal buffer/line driver with 5-volt tolerant inputs/outputs 3-State	20P/SO	2.7~3.6V	-40°C to +85°C
22399	74LVT125D	PHILIPS	3.3V Quad buffer (3-State)	14P/SO	-0.5~4.6V	-40°C~85°C
48134	74LVT241PW	PHILIPS	3.3V Octal buffer/line driver (3-State)	20P/TSSOP	2.7~3.6V	40°C to +85°C
35405	74LVT244AD	PHILIPS	3.3V Octal buffer/line driver (3-State)	20P/TSSOP	2.7~3.6V	40°C to +85°C
35408	74LVT244AD	PHILIPS	3.3V Octal buffer/line driver (3-State)	20P/SOP	2.7~3.6V	-40°C to +85°C
39621	74LVT244APW	PHILIPS	3.3V Octal buffer/line driver (3-State)	20P/TSSOP	2.7~3.6V	40°C to +85°C
35402	74LVT244WM	FUJITSU	Low Voltage Octal Buffer/Line Driver with 3-STATE Outputs [FAIRCHILD]	20P/SOIC	2.7~3.6V	-40°C to +85°C
35399	74LVT245WM	Fairchild	Low Voltage Octal Bidirectional Transceiver with 3-STATE Inputs/Outputs	20P/SOIC	2.7~3.6V	-40°C to +85°C
35409	74LVTH244APW	PHILIPS	3.3V Octal buffer/line driver (3-State)	20P/TSSOP	2.7~3.6V	-40°C to +85°C
33841	74LVX08MTC	Fairchild	Low Voltage Quad 2-Input AND Gate	14P/TSSOP	2~3.6V	-40~85°C
39572	74LVX14MTC	Fairchild	Low Voltage Hex Inverter with Schmitt Trigger Input	14P/TSSOP	2~3.6V	-40~85°C
22779	74LVX161284	N.S	Low Voltage IEEE 161284 Transceiver	SSOP/48P	3.0V to 3.6V VCC 3.0V to 3.6V	-40°C to +85°C
29328	74LVX161284MEA	Fairchild	Other 74~Families	SSOP	3.0V to 3.6V	?40°C to +85°C
33842	74LVX244MTC	Fairchild	Low Voltage Octal Buffer/Line Driver with 3-STATE Outputs	20P/TSSOP	2~3.6V	-40~85°C

