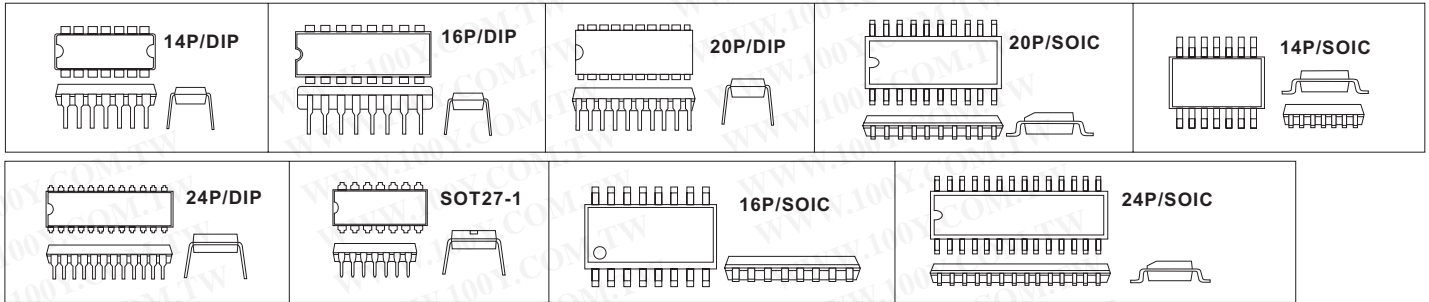


Logic IC

74F~ Fast Logic Families

Detailed product specifications are available on: us.100y.com.tw

Part No.	Product No.	Manufacturer	Description	Pins/Package	Vcc	Operating Temp
1004	74F260D	PHILIPS	Dual 5-input NOR gate	14P/SOIC	4.5~5.5V	0~70°C
749	74F32	N.S	Quad 2-input OR Gate	14P/DIP	4.5~5.5V	0~70°C
762	74F373PC	N.S	Octal D-Type Transparent Latches (3-State)	20P/DIP	4.5~5.5V	0~70°C
763	74F374	N.S	Octal D-Type Edge-Triggered (3-State)	20P/DIP	4.5~5.5V	0~70°C
39720	74F521PC	N.S	8-Bit Identity Comparator	20P/DIP	-0.5V to 7.0V	-65~150°C
40093	74F521PC	Fairchild	8-Bit Identity Comparator	20P/DIP	-0.5V to 7.0V	-65~150°C
764	74F573	N.S	Octal D-Type transparent latch(OCTAL TRANSPARENT D-TYPE LATCHES WITH 3-STATE OUTPUTS)	20P/DIP	4.5~5.5V	0~70°C
22237	74F657N		Octal transceiver with 8-bit parity generator/checker	24P/DIP	-0.5 ~7.0V	0 °C~70 °C
750	74F74	N.S	Dual D-Type Positive Edge-Triggered Flip-Flop	14P/DIP	4.5~5.5V	0~70°C
22241	74F827D		10-bit buffer/line driver, non-inverting	24P/DIP	5V	0 °C ~70 °C
751	74F86	N.S	Quad EXCLUSIVE-OR Gate(Quad 2-input exclusive-or gate)	14P/DIP	4.5~5.5V	0~70°C
22242	74FCT245TSA	Cypress	The FCT245 transceivers have non-inverting outputs.	20P/DIP	-0.5~7V	0°C~70°C
41806	74FST3257DTR2G	ON-Semi.	Quad 2:1 Multiplexer/Demultiplexer Bus Switch	TSSOP16*	-0.5V~7.0V	-65°C ~ +150°C
36396	CY74FCT245ATPC	Cypress	8-Bit Transceiver	20P/DIP	3.3V	-65°C to +135°C
33617	IDT74FCT16244ATPV	IDT	FAST CMOS 16-BIT BUFFER/LINE DRIVER	SO-48	4.5V - 5.5V	-40°C to +85°C
33618	IDT74FCT16245ATPV	IDT	FAST CMOS 16-BIT BIDIRECTIONAL TRANSCEIVERS	SO-48	5V	-40°C to +85°C
33619	IDT74FCT16374ATPV	IDT	FAST CMOS 16-BIT REGISTER (3-STATE)	SO-48	5V	-40°C to +85°C
33621	IDT74FCT164245TPV	IDT	FAST CMOS 16-BIT BIDIRECTIONAL 3.3V TO 5V TRANSLATOR	SO-48	3.3V-to-5V	-40°C to +85°C
747	MC74F11N	MOTOROLA	Triple 3-input Positive-AND Gates	14P/DIP	4.5~5.5V	0~70°C
22225	MC74F158AN	MOTOROLA	Quad 2-Input Multiplexer	16P/DIP	-0.5V~7.0V	0°C~70°C
756	MC74F163AN	MOTOROLA	Synchronous 4-bit Counter(Synchronous Presettable 4-Bit Binary Counter (Synchronous Reset))	16P/DIP	5V	0~70°C
760	MC74F244N	MOTOROLA	Octal Buffer/Line Driver (3-State)	20P/DIP	4.5~5.5V	0~70°C
761	MC74F245N	MOTOROLA	Octal bus transceiver with 3-state outputs	20P/DIP	4.5~5.5V	0~70°C
22229	MC74F280D	MOTOROLA	9-Bit Parity Generator/Checker	14P/DIP	-0.5V ~7.0V	0~70°C
22231	MC74F283DR	MOTOROLA	4-bit binary full adder with fast carry	16P/DIP	-0.5 ~7.0V	0°C~70°C
39753	MC74F32N	MOTOROLA	Quad 2-input OR Gate	14P/DIP	4.5~5.5V	0~70°C
995	MC74F86D	MOTOROLA	2-Input Exclusive-OR Gate	14P/SOIC	4.5~5.5V	0~70°C
22223	MM74F125SCX	Fairchild	Quad Buffer (3-STATE)	14P/SOIC	-0.5V~7.0V	0°C~70°C
22226	MM74F240PC	Fairchild	Octal Buffers/Line Drivers with 3-STATE Outputs	20P/PDIP	-0.5V~7.0V	0°C~70°C
22227	MM74F245PC	N.S	Octal Bidirectional Transceiver with 3-STATE Outputs	20P/PDIP	-0.5V~7.0V	0°C~70°C
22228	MM74F258PC	Fairchild	Quad 2-Input Multiplexer with 3-STATE Outputs	16P/PDIP	-0.5V~7.0V	0°C ~70°C
22232	MM74F30PC	N.S	8-Input NAND Gate	14P/PDIP	-0.5V ~7.0V	0°C~70°C
22233	MM74F32SCX	Fairchild	Quad 2-Input OR Gate	14P/SOIC	-0.5V~7.0V	0°C~70°C
22234	MM74F398PC	N.S	Quad 2-Port Register	20P/DIP	-0.5V~7.0V	0°C~70°C
22235	MM74F543PC	Fairchild	Octal Registered Transceiver	24P/PDIP	-0.5V~7.0V	0°C~70°C
22236	MM74F646PC	N.S	Octal Transceiver/Register with 3-STATE Outputs	24P/PDIP	-0.5V~7.0V	0°C~70°C
22240	MM74F676PC	Fairchild	16-Bit Serial/Parallel-In, Serial-Out Shift Register	24P/PDIP	-0.5V~7.0V	0°C ~70°C
4940	N74F04D	PHILIPS	Hex Inverter	14P/SOIC	4.5~5.5V	0~70°C
35520	N74F06D	PHILIPS	Inverter/buffer drivers	14P/SOIC	4.5 - 5.5V	0°C to +70°C
35521	N74F06N	PHILIPS	Inverter/buffer drivers	14P/DIP	4.5 - 5.5V	0°C to +70°C
35523	N74F07D	PHILIPS	Inverter/buffer drivers	14P/SOIC	4.5 - 5.5V	0°C to +70°C
35525	N74F07N	PHILIPS	Inverter/buffer drivers	14P/DIP	4.5 - 5.5V	0°C to +70°C
32468	N74F14N	PHILIPS	Hex inverter Schmitt trigger	SOT27-1	-0.5 to +7.0	0~70°C
992	SN7414	T.I.	Hex inverter Schmitt trigger	14P/DIP	4.75~5.25V	0~70°C
986	SN74F00D	T.I.	Quad 2-input NAND Gate	14P/SOIC	4.5~5V	0°C ~ 70°C
987	SN74F02D	T.I.	Quad 2-input NOR Gate	14P-SOIC	4.5~5.5V	-40~85°C
988	SN74F06D	T.I.	Hex O.C. Inverters(Inverter/buffer drivers)	14P/SOIC	4.5~5.5V	0~70°C
989	SN74F08D	T.I.	Quad 2-Input AND Gate	14P/SOIC	4.5~5.5V	0~70°C
746	SN74F10	T.I.	Triple 3-input NAND Gate	14P/DIP	4.5~5.5V	0~70°C
990	SN74F10D	T.I.	Triple 3-input NAND gate	14P/SOIC	4.5~5.5V	0~70°C
991	SN74F11D	T.I.	Triple 3-Input AND Gate	14P/SOIC	4.5~5.5V	0~70°C
14765	SN74F11DR	T.I.	Triple 3-Input AND Gate	14P/SOIC (2500pcs/R)	4.5~5.5V	0~70°C
996	SN74F125D	T.I.	Quad Buffer (3-STATE)	14P/SOIC	4.5~5.5V	0~70°C
997	SN74F126D	T.I.	Quad buffers (3-State)	14P/SOIC	4.5~5.5V	0~70°C
42815	SN74F126DR	T.I.	QUADRUPLER BUS BUFFER GATE WITH 3-STATE OUTPUTS	SOIC D	-0.5 V to 7 V	0°C to 70°C
752	SN74F138	T.I.	Expandable 3/8 Decoder(1-of-8 Decoder/Demultiplexer)	16P/DIP	4.5~5.5V	0~70°C

