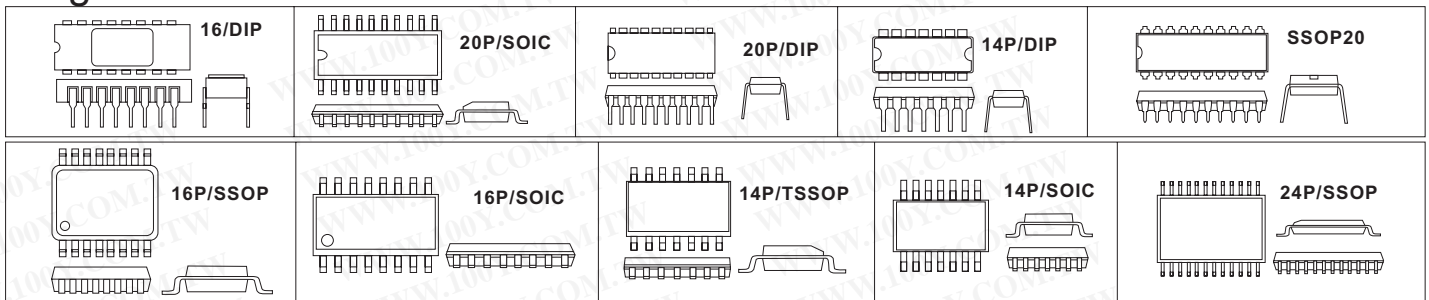


Logic IC

74HC~ High Speed CMOS Logic Families

Detailed product specifications are available on: us.100y.com.tw



Part No.	Product No.	Manufacturer	Description	Pins/Package	Vcc(Supply voltage)	Operating Temp.
19227	SN74HC245N	T.I.	OCTAL TRANSPARENT D-TYPE LATCHES WITH 3-STATE OUTPUTS	20P/DIP	2-6V	-40-85°C
37346	SN74HC245PW	T.I.	OCTAL BUS TRANSCEIVERS WITH 3-STATE OUTPUTS	20P/TSSOP	2-6V	-40-85°C
34578	SN74HC251N	T.I.	DATA SELECTORS/MULTIPLEXERS WITH 3-STATE OUTPUTS	16P/DIP	2-6V	-40°C to 85°C
43025	SN74HC253DR	T.I.	DUAL 4-LINE TO 1-LINE DATA SELECTORS/MULTIPLEXERS WITH 3-STATE OUTPUTS	SOIC	2-6V	40 C to 85 C
37395	SN74HC257N	T.I.	Quad. 2-to-1 line Data Selector/Multiplexer with 3-state outputs	16P/DIP	2-6V	-40-85°C
49560	SN74HC259N	T.I.	8-BIT ADDRESSABLE LATCHES	16P/DIP	2-6V	-40-85°C
43026	SN74HC273DW	T.I.	OCTAL D-TYPE FLIP-FLPOPS WITH CLEAR	SOIC-20	2-6V	-40 C to 85 C
34576	SN74HC273N	T.I.	OCTAL D-TYPE FLIP-FLOPS WITH CLEAR	20P/DIP	2-6V	-40°C to 85°C
34574	SN74HC27N	T.I.	TRIPLE 3-INPUT POSITIVE-NOR GATES	14P/DIP	2-6V	-40°C to 85°C
40890	SN74HC32D	T.I.	devices contain four independent 2-input OR gates.	SOIC	-0.5 V to 7 V	-40 C to 85 C
34572	SN74HC32N	T.I.	QUADRUPLE 2-INPUT POSITIVE-OR GATES	14P/DIP	2-6V	-40°C to 85°C
34568	SN74HC367N	T.I.	HEX BUFFERS AND LINE DRIVERS WITH 3-STATE OUTPUTS	16P/DIP	2-6V	-40°C to 85°C
22282	SN74HC373DWR	T.I.	OCTAL TRANSPARENT D-TYPE LATCHES WITH 3-STATE OUTPUTS	20P/DIP	-0.5-7 V	-65°C-150°C
19232	SN74HC373N	T.I.	OCTAL TRANSPARENT D-TYPE LATCHES WITH 3-STATE OUTPUTS	20P/DIP	2-6V	-55-125°C
19235	SN74HC374N	T.I.	OCTAL EDGE-TRIGGERED D-TYPE FLIP-FLOPS WITH 3-STATE OUTPUTS	DIP	2-6V	-40-85°C
44456	SN74HC377N	T.I.	OCTAL D-TYPE FLIP-FLOPS WITH CLOCK ENABLE	20P/DIP	-0.5-7V	-40-85°C
34565	SN74HC4040N	T.I.	12-BIT ASYNCHRONOUS BINARY COUNTERS	16P/DIP	2-6V	?40 °C to 85 °C
22292	SN74HC4046AM96	T.I.	High-Speed CMOS Logic Phase-Locked-Loop with VCO	16P/SOIC	5V	-55-125oC
22297	SN74HC4051MTC	T.I.	8-Channel Analog Multiplexer ? Dual 4-Channel Analog Multiplexer ? Triple 2-Channel Analog Multiplexer	16P/SSOP	-0.5-7.5V	-65°C-150°C
41738	SN74HC4060D	T.I.	14-Stage Asynchronous Binary Counters And Oscillators	16P/SOIC	2 V to 6 V	-40 °C to 85 °C
41737	SN74HC4060N	T.I.	14-Stage Asynchronous Binary Counters And Oscillators	DIP/16P	2 V to 6 V	-40 °C to 85 °C
43027	SN74HC4066DBR	T.I.	QUADRUPLE BILATERAL ANALOG SWITCH	SSOP	2-6V	-40 C to 85 C
43028	SN74HC4066PW	T.I.	QUADRUPLE BILATERAL ANALOG SWITCH	TSSOP-14	2-6V	-40 C to 85 C
43029	SN74HC4066PWR	T.I.	QUADRUPLE BILATERAL ANALOG SWITCH	TSSOP-14	2-6V	-40 C to 85 C
32120	SN74HC540N	T.I.	Octal Buffers and Line Drivers with 3-state outputs	20P/DIP	2-6V	-40-85°C
43030	SN74HC541DW	T.I.	OCTAL BUFFERS AND LINE DRIVERS WITH 3-STATE OUTPUTS	SOIC-20	2-6V	-40 C to 85 C
22307	SN74HC541N	T.I.	OCTAL BUFFERS AND LINE DRIVERS WITH 3-STATE OUTPUTS	20P/DIP	2-6V	-65°C-150°C
4490	SN74HC573	T.I.	3-STATE Octal D-Type Latch	20P/DIP	2-6V	-40-85°C
19241	SN74HC573ADW	T.I.	OCTAL TRANSPARENT D-TYPE LATCHES WITH 3-STATE OUTPUTS	20P/SOP	2-6V	-40-85°C
34561	SN74HC573AN	T.I.	OCTAL TRANSPARENT D-TYPE LATCHES WITH 3-STATE OUTPUTS	20P/DIP	2-6V	-40°C to 85°C
22312	SN74HC574N	T.I.	Octal D-type flip-flop; positive edge-trigger; 3-state	20P/DIP	5V	-40-85°C
19240	SN74HC595N	T.I.	LOGIC IC	DIP		-45-85°C
43033	SN74HC595N	T.I.	8-BIT SHIFT REGISTERS WITH 3-STATE OUTPUT REGISTERS	16P/DIP	2-6V	-40 C to 85 C
43035	SN74HC682DWR	T.I.	8-BIT MAGNITUDE COMPARATORS	SOIC-20	2 V to 6 V	-40 C to 85 C
17742	SN74HC688D	T.I.	8-bit Mag. Comparator	20P/SOIC	2-6V	-40-85°C
14764	SN74HC688DW	T.I.	8-Bit Magnitude Comparator (Equality Detector)	20P/SOIC(300mil)	2-6V	-40-85°C
29306	SN74HC688N	T.I.	8-bit Mag. Comparator	20P/DIP	2-6V	-40-85°C
28794	SN74HC74N	T.I.	Dual D Flip Flop with Preset and Clear	14P/DIP	2-6V	-40-125°C
11501	SN74HC85D	T.I.	High Speed CMOS Logic 4-Bit Magnitude Comparator	14P/SOIC	2-6V	-40-85°C
19258	SN74HC86N	T.I.	QUADRUPLE 2-INPUT EXCLUSIVE-OR GATES	14P/DIP	2-6V	-40-85°C
43036	SN74HCT00PWR	T.I.	QUADRUPLE 2-INPUT POSITIVE-NAND GATES	TSSOP-14	4.5 V to 5.5 V	-40 C to 85 C
1014	SN74HCT02D	T.I.	Quad 2-input NOR gate High-performance silicon-gate CMOS	14P/SOIC	2-6V	-40-85°C
29682	SN74HCT04N	T.I.	Hex Inverter	14P/PDIP	-0.5 ~7.0V	-40°C-85°C
1015	SN74HCT08D	T.I.	Quad 2-input AND gate. High-performance silicon-gate CMOS.	14P/SOIC	4.5-5.5V	-40-125°C
43040	SN74HCT08D	T.I.	QUADRUPLE 2-INPUT POSITIVE-AND GATES	SOIC-14	4.5 V to 5.5 V	-40 C to 85 C
43042	SN74HCT08DR	T.I.	QUADRUPLE 2-INPUT POSITIVE-AND GATES	SOIC-14	4.5 V to 5.5 V	-40 C to 85 C
10251	SN74HCT126D	T.I.	Quad buffer/line driver; 3-state	14P/SOIC	2-6V	-40-85°C
1020	SN74HCT138D	T.I.	High-Speed CMOS Logic 3- to 8-Line Decoder/Demultiplexer Inverting and Non-Inverting	16P/SOIC	4.5-8.5V	-40-85°C
43043	SN74HCT138D	T.I.	3-Line To 8-Line Decoders/Demultiplexers	SOIC-16	4.5 V to 5.5 V	-40 C to 85 C
1016	SN74HCT32DR	T.I.	Quad 2-input OR gate	14P/SOIC	4.5-5.5V	-40-85°C
1028	SN74HCT373D	T.I.	OCTAL TRANSPARENT D-TYPE LATCHES WITH 3-STATE OUTPUTS	20P/SOIC(300mil)	4.5-5.5V	-40-85°C
1029	SN74HCT374DW	T.I.	OCTAL EDGE-TRIGGERED D-TYPE FLIP-FLOPS WITH 3-STATE OUTPUTS	20P/SOIC(300mil)	4.5-5.5V	-40-85°C
17416	SN74HCT374DWR	T.I.	OCTAL EDGE-TRIGGERED D-TYPE FLIP-FLOPS WITH 3-STATE OUTPUT	20P/SOIC	4.5-5.5V	-40-85°C
43044	SN74HCT374DWR	T.I.	Octal D-type Edge-Triggered Flip-Flops With 3-State Outputs	SOIC ?20	4.5 to 5.5V	-40 C to 85 C
1030	SN74HCT573D	T.I.	TRI-STATE Octal D-Type Latch	20P/SOIC(300mil)	4.5-5.5V	-40-85°C

