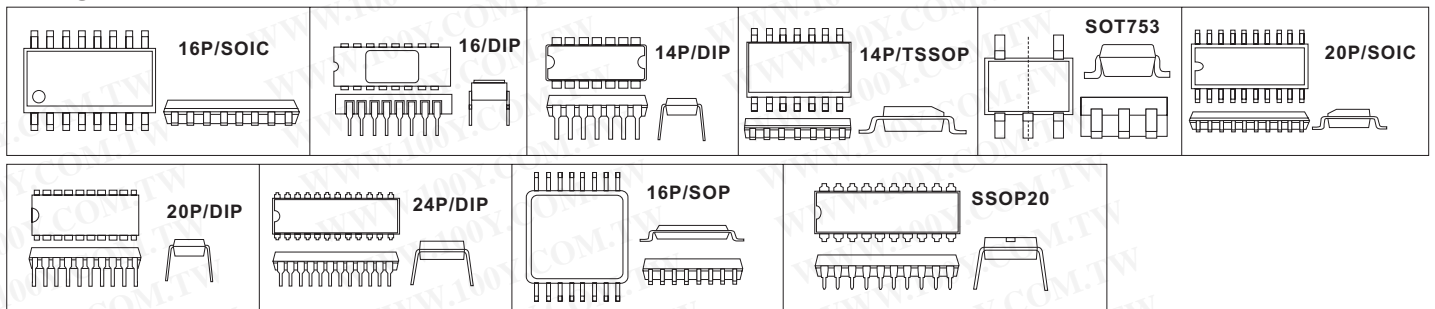


Logic IC

74HC~ High Speed CMOS Logic Families

Detailed product specifications are available on: us.100y.com.tw



Part No.	Product No.	Manufacturer	Description	Pins/Package	Vcc(Supply voltage)	Operating Temp.
42166	74HCT126D	PHILIPS	Quad buffer/line driver; 3-state	14P/SOIC	2-6V	-40~85°C
48244	74HCT138D	PHILIPS	3-to-8 line decoder/demultiplexer; inverting	16P/SOIC	4.5-5.5V	-40~85°C
39593	74HCT138N	PHILIPS	3-to-8 line decoder/demultiplexer; inverting	16P/DIP	2-6V	-40~85°C
35544	74HCT14N	PHILIPS	Hex inverting Schmitt trigger	DIP14	4.5-5.5V	-40 to +125 °C
41288	74HCT14PW	PHILIPS	HEX INVERTING SCHMITT TRIGGER	14P/TSSOP	5.5V	-40°C TO 125°C
40251	74HCT153D	PHILIPS	Dual 4-Input Multiplexer	16P/SOIC	2-6V	-40 ~ 85°C
6396	74HCT175D	PHILIPS	Quad D-type flip-flop with reset; positive-edge trigger	16P/SOIC	2-6V	-40~85°C
45002	74HCT1G04GV	PHILIPS	Inverter	SOT753	5	-45 to 125°C
44999	74HCT1G14GW	PHILIPS	Inverting Schmitt-trigger	SOT353	5V	-40 - +125
45000	74HCT1G32GV	PHILIPS	2-input OR gate	SOT753	5V	-40to+125C
35540	74HCT240N	PHILIPS	Octal buffer/line driver; 3-state; inverting			
35538	74HCT244	PHILIPS	Octal buffer/line driver; 3-state	20P/SOIC		
35536	74HCT244N	PHILIPS	Octal buffer/line driver; 3-state	20P-DIP		
1025	74HCT244WMMX	N.S	Inverting Octal 3-STATE Buffer	20P/SOIC(300mil)	4.5-5.5V	-40~85°C
1026	74HCT245D	PHILIPS	Octal 3-STATE Transceiver	20P/SOIC(300mil)	4.5-5.5V	-40~85°C
35533	74HCT245N	PHILIPS	Octal bus tranceiver; 3-state	DIP20	4.5-5.5V	-40 °C to +125 °C
1027	74HCT273D	N.S	Octal D-type flip-flop with reset; positive-edge trigger	20P/SOIC(300mil)	2-6V	-40~85°C
22324	74HCT32D	PHILIPS	Quad 2-input OR gate	14P/SO14	5V	-40~125°C
40366	74HCT367	PHILIPS	Hex buffer/line driver; 3-state	16P/SOP		
35461	74HCT373D	PHILIPS	Octal D-type transparent latch; 3-state	20P/SOIC	4.5-5.5V	
37166	74HCT373DB	PHILIPS	Octal D-type transparent latch; 3-state	20P/SSOP	4.5-5.5V	
35457	74HCT373N	PHILIPS	Octal D-type transparent latch; 3-state	20P/DIP		
35454	74HCT374N	PHILIPS	Octal D-type flip-flop; positive edge-trigger; 3-state	20P/DIP		
31928	74HCT393D	PHILIPS	Dual 4-bit binary ripple counter	14P/SOIC	4.5V	-40~85°C
39221	74HCT423D	PHILIPS	Dual retriggerable monostable multivibrator with reset	16P/SO (SOT109-1)	5 V	25 °C
35451	74HCT541N	PHILIPS	Octal buffer/line driver; 3-state	20P/DIP		
22325	74HCT573D	PHILIPS	HIGH-SPEED Si-gate CMOS devices	20P/SOIC	5V	-40~85°C
33070	74HCT573N	PHILIPS	Octal D-type transparent latch; 3-state	20P/DIP	4.5V	-40~+85°C
35446	74HCT688D	PHILIPS	8-bit magnitude comparator	20P/SOIC		
1017	74HCT74D	PHILIPS	Dual D-type flip-flop with set and reset; positive-edge trigger	14P/SOIC	2-6V	-40~125°C
1018	74HCT86D	PHILIPS	Quad 2-input exclusive OR gate, high-performance silicon-gate CMOS	14P/SOIC	2-6V	-40~85°C
22326	74HCT86N	GS Battery	HIGH-SPEED Si-gate CMOS devices and are pin compatible with low power Schottky TTL	14P/SOT	2-6V	-40~125°C
44480	74LVC257APW	PHILIPS	Quad 2-input multiplexer with 5 V tolerant inputs/outputs; 3-state	16P/TSSOP	1.2-3.6V	-40~85°C
738	CD4094BMS	HARRIS	4-Bit Shift Register/Latch with 3-State Output(8-bit serial-input shift register with latched 3-state outputs, high-performance silicon-gate CMOS)	16P/DIP	2-6V	-55-125°C
29054	CD74HC154EN		4-to-16 Line Decoder	24P/PDIP	2-6V	-40 ~85 °C
22262	CD74HC238E	T.I.	High Speed CMOS Logic 3-to-8 Line Decoder/Demultiplexer Inverting and Non-Inverting	16P/DIP	5V	-55-125°C
38237	CD74HC238E	T.I.	High Speed CMOS Logic 3-to-8 Line Decoder/Demultiplexer Inverting and Non-Inverting	16P/DIP	2V-6V	-55-125°C
41731	CD74HC238M	T.I.	High Speed CMOS Logic 3-to-8 Line Decoder/Demultiplexer Inverting and Non-Inverting	16P/SOIC	5v	-55-125°C
35673	CD74HC4020E	HARRIS	High Speed CMOS Logic 14-Stage Binary Counter	16P/DIP	2-6V	-55-125°C
40713	CD74HC4051E	T.I.	High Speed CMOS Logic Analog Multiplexers/Demultiplexers	DIP/16P	4.5V to 5.5V	-55 ~ 125 °C
22295	CD74HC4051M96	T.I.	High Speed CMOS Logic Analog Multiplexers/Demultiplexers	16P/SOIC	5V	-55 ~ 125 °C
22298	CD74HC4052M96	T.I.	High Speed CMOS Logic Analog Multiplexers/Demultiplexers	16P/SOIC	5V	-55C~125C
32818	CD74HCT00E	T.I.	High Speed CMOS Logic Quad 2-Input NAND Gate	14 Ld PDIP	5V	-55 to 125°C
32819	CD74HCT04E	T.I.	High Speed CMOS Logic Hex Inverter	14 Ld PDIP	4.5V to 5.5V	-55 to 125°C
32820	CD74HCT04M	T.I.	High Speed CMOS Logic Hex Inverter	14 Ld SOIC	4.5V to 5.5V	-55 to 125°C
32821	CD74HCT08E	T.I.	High Speed CMOS Logic	14 Ld PDIP	4.5V to 5.5V	-55 to 125°C
32822	CD74HCT08M	T.I.	High Speed CMOS Logic	14 Ld SOIC	4.5V to 5.5V	-55 to 125°C
32824	CD74HCT11E	T.I.	High Speed CMOS Logic Triple 3-Input AND Gate	14 Ld PDIP	4.5V to 5.5V	-55 to 125°C
32825	CD74HCT123E	T.I.	High Speed CMOS Logic Dual Retriggerable Monostable Multivibrators with Resets	16 Ld PDIP	4.5V to 5.5V	-55 to 125°C
32826	CD74HCT123M	T.I.	High Speed CMOS Logic Dual Retriggerable Monostable Multivibrators with Resets	16 Ld SOIC	4.5V to 5.5V	-55 to 125°C
32827	CD74HCT125E	T.I.	High Speed CMOS Logic Quad Buffer, Three-State	14 Ld PDIP	4.5V to 5.5V	-55 to 125°C
33823	CD74HCT126M	T.I.	High Speed CMOS Logic Quad Buffer, Three-State	14P/SOIC	4.5-5.5V	-55-125°C
32828	CD74HCT138E	T.I.	High Speed CMOS Logic 3-to-8 Line Decoder/ Demultiplexer Inverting and Non-Inverting	16 Ld PDIP	4.5V to 5.5V	-55 to 125°C
32829	CD74HCT138M	T.I.	High Speed CMOS Logic 3-to-8 Line Decoder/ Demultiplexer Inverting and Non-Inverting	16 Ld SOIC	4.5V to 5.5V	-55 to 125°C
32830	CD74HCT147E	T.I.	High Speed CMOS Logic 10-to-4 Line Priority Encoder	16 Ld PDIP	4.5V to 5.5V	-55 to 125°C

