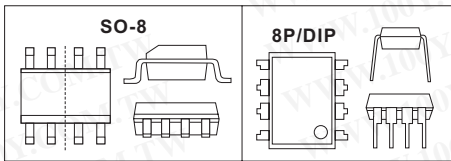


# Drivers & Interface IC

## MOSFET & IGBT Drivers Intersil(Harris)\_MOSFET & IGBT Drivers

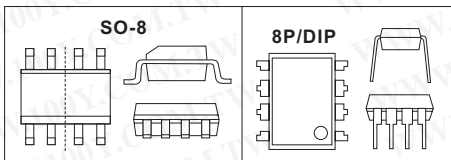
Detailed product specifications are available on: [us.100y.com.tw](http://us.100y.com.tw)



Part No.	Product No.	Manufacturer	Description	Pins/Package	Supply voltage	Operating Temp
39553	ICL7667CBA	Intersil	Dual power MOSFET driver	8P/SOIC	15V	0°C~ +70°C
3901	ICL7667CBA	HARRIS	Dual power MOSFET driver	8P/SOIC	15V	0°C~ +70°C
3903	ICL7667CPA	HARRIS	Dual Power MOSFET Driver	8P/DIP	15V	0°C~ +70°C
37283	ICL7667CPAZ	Intersil	Dual Power MOSFET Driver	8P/DIP	4.5~15V	0°C~ +70°C

## Mot. & ON\_MOSFET & IGBT Drivers

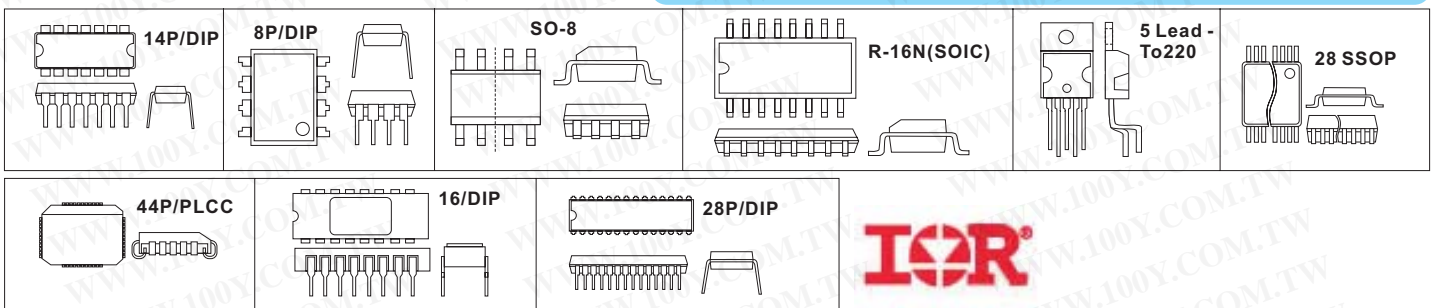
Detailed product specifications are available on: [us.100y.com.tw](http://us.100y.com.tw)



Part No.	Product No.	Manufacturer	Description	Pins/Package	Supply voltage	Operating Temp
40006	MC33151	ON-Semi.	High Speed Dual MOSFET Drivers	8P/SOIC	20V	-40~85°C
40168	MC33151P	ON-Semi.	High Speed Dual MOSFET Drivers	8P/DIP	20V	-40~85°C
37087	MC34151P	ON-Semi.	High Speed Dual MOSFET Drivers	8P/DIP	20V	0~70°C
22028	MC34152P	ON-Semi.	High Speed Dual MOSFET Driver	8P/DIP	20V	0~70°C

## IR\_MOSFET & IGBT Drivers

Detailed product specifications are available on: [us.100y.com.tw](http://us.100y.com.tw)



Part No.	Product No.	Manufacturer	Description	Pins/Package	Supply voltage	Operating Temp
37331	IR2010	IR	HIGH AND LOW SIDE DRIVER	14 Lead PDIP	200V	
40171	IR2011	IR	HIGH AND LOW SIDE DRIVER	8P/DIP	-0.3~25V	-55 to 150 °C
15673	IR2101PBF	IR	HIGH AND LOW SIDE DRIVER	8P/DIP	25V	
33713	IR2101S	IR	HIGH AND LOW SIDE DRIVER	8 Lead SOIC	25V	
34481	IR2102	IR	HIGH AND LOW SIDE DRIVER	8 Lead PDIP	600V max.	
33714	IR2103	IR	HALF-BRIDGE DRIVER	8 Lead PDIP	25V	
33716	IR2104	IR	HALF-BRIDGE DRIVER	8 Lead PDIP	25V	
33717	IR2104S	IR	HALF-BRIDGE DRIVER	8 Lead SOIC	25V	
33731	IR2105	IR	High Voltage, High Speed Power MOSFET and IGBT Driver	8 Lead PDIP	10 to 20V	
33732	IR2105S	IR	High Voltage, High Speed Power MOSFET and IGBT Driver	8 Lead SOIC	10 to 20V	
33733	IR2106	IR	HIGH AND LOW SIDE DRIVER	8 Lead PDIP	10 to 20V	
33734	IR21064	IR	HIGH AND LOW SIDE DRIVER	14 Lead PDIP	10 to 20V	
33735	IR2106S	IR	HIGH AND LOW SIDE DRIVER	8 Lead SOIC	10 to 20V	
33736	IR2108	IR	HIGH AND LOW SIDE DRIVER	8-Lead PDIP	25V	
33737	IR2108S	IR	HIGH AND LOW SIDE DRIVER	8 Lead SOIC	25V	
33741	IR21094	IR	HALF-BRIDGE DRIVER	14 Lead PDIP	25V	
33746	IR21094S	IR	HALF-BRIDGE DRIVER	14 Lead SOIC	25V	
33749	IR2109S	IR	HALF-BRIDGE DRIVER	8 Lead SOIC	25V	
33754	IR2111PbF	IR	HALF-BRIDGE DRIVER	8P/PDIP	25V	
33755	IR2111SPbF	IR	HALF-BRIDGE DRIVER	8 Lead SOIC	25V	
33757	IR2112S	IR	HIGH AND LOW SIDE DRIVER	16 Lead SOIC	25V	
33759	IR2113S	IR	HIGH AND LOW SIDE DRIVER	16 Lead SOIC	25V	
33764	IR2122	IR	CURRENT SENSING SINGLE CHANNEL DRIVER	8 Lead PDIP	25V	
33766	IR2125	IR	CURRENT LIMITING SINGLE CHANNEL DRIVER	8-pin DIP	25V	
33771	IR2127	IR	CURRENT SENSING SINGLE CHANNEL DRIVER	8P/DIP	25V	
33774	IR2127S	IR	CURRENT SENSING SINGLE CHANNEL DRIVER	8 Lead SOIC	25V	
33776	IR2130S	IR	3-PHASE BRIDGE DRIVER	28 Lead SOIC	25V	
33777	IR2132J	IR	3-PHASE BRIDGE DRIVER	44 Lead PLCC	25V	
33778	IR2132S	IR	3-PHASE BRIDGE DRIVER	28 Lead SOIC	25V	
33779	IR2133	IR	3-PHASE BRIDGE DRIVER	28 Lead DIP	25V	
33780	IR2133S	IR	3-PHASE BRIDGE DRIVER	28 Lead SOIC	25V	
33788	IR2136S	IR	3-PHASE BRIDGE DRIVER	28 lead SOIC	25V	
33791	IR21531D	IR	SELF-OSCILLATING HALF-BRIDGE DRIVER	8P/DIP	15.6 V	
33793	IR21531S	IR	SELF-OSCILLATING HALF-BRIDGE DRIVER	8P/SOIC	15.6 V	
33789	IR2153D	IR	SELF-OSCILLATING HALF-BRIDGE DRIVER	8 Lead PDIP	15.6V	
33790	IR2153S	IR	SELF-OSCILLATING HALF-BRIDGE DRIVER	8 Lead SOIC	15.6V	

