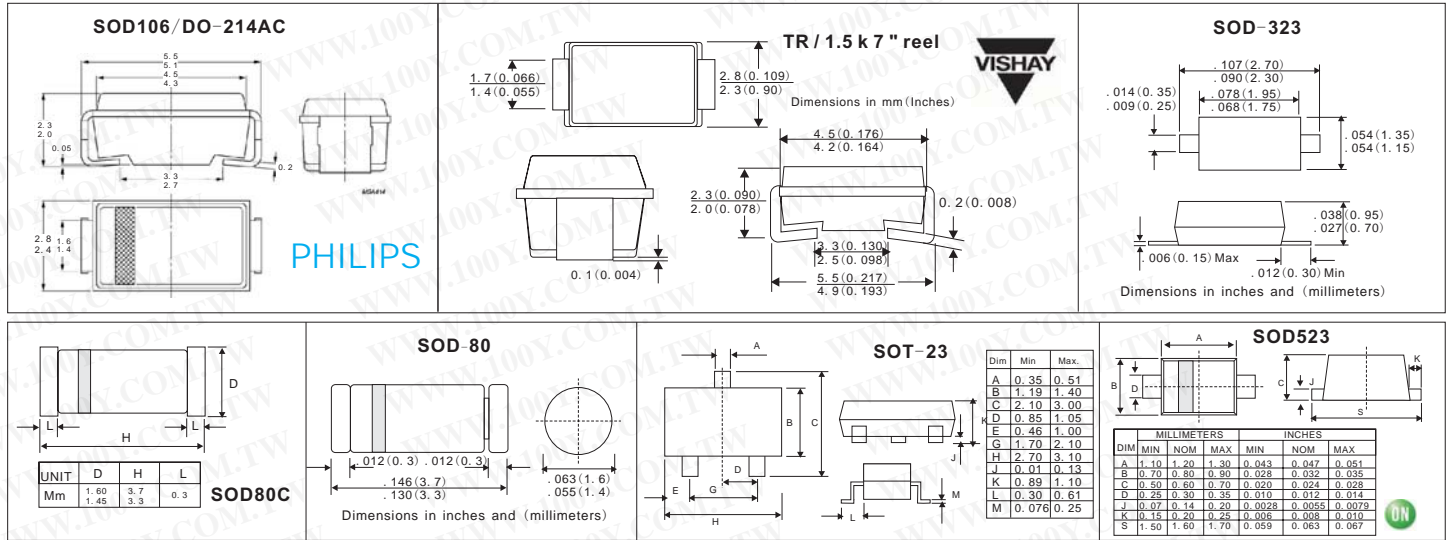


Semiconductors-Discretes

SMD Zener Diodes

Detailed product specifications are available on: us.100y.com.tw



Part No.	Product No.	Manufacturer	Description	Package	Vz	Pd max/W	Izt/mA
32580	BZG03-C100	PHILIPS	Volt. Regulator Diode	SOD106	100Vz		5mA
25930	BZG03-C12	PHILIPS	Volt. Regulator Diode	DO-214AC	12Vz	1.25W	50mA
41677	BZG03-C150	VISHAY	Voltage stabilization	TR / 1.5 k 7 " reel	256v	3w	2mA
41673	BZG03-C240	VISHAY	Voltage stabilization	TR / 1.5 k 7 " reel	256v	3w	2mA
40878	BZT52C11S		200mW ZENER Diode	SOD-323	10.4-11.6V	200mW	5mA
40877	BZT52C9V1S		200mW ZENER Diode	SOD-323	8.5-9.6V	200mW	5mA
16256	BZV55-C5V1	PHILIPS	Philips-5.1Vz Zener Diode	SOD80C	5.1V	500mW	5mA
40519	BZV55C12		12.7Vz Zener Diode	SOD-80	12.7V	500mW	5mA
39604	BZX84C 5V6	Fairchild	Zeners	SOT-23	40	350W	250mA
48172	BZX84C10	Fairchild	FSC_SMD Zeners	SOT-23	10V	350 mW	250mA
41862	BZX84C11LT1G	ON-Semi.	Zener Voltage Regulators	SOT-23	11v	225mW	5mA
41656	BZX84C15LT1	ON-Semi.	Zener Voltage Regulators	SOT-23	15V	225mW	5mA
48173	BZX84C18	Fairchild	FSC_Zeners	SOT-23	18V	350 mW	250mA
41868	BZX84C3V0LT1	ON-Semi.	Zener Voltage Regulators	SOT-23	3V	0.225W	5mA
41869	BZX84C3V9LT1G	ON-Semi.	Zener Voltage Regulators	SOT-23	3.9V	0.225W	5mA
41870	BZX84C43LT1G	ON-Semi.	Zener Voltage Regulators	SOT-23	43V	0.225W	5mA
41871	BZX84C4V7LT1G	ON-Semi.	Zener Voltage Regulators	SOT-23	4.7V	225mW	5mA
41872	BZX84C5V1LT1G	ON-Semi.	Zener Voltage Regulators	SOT-23	5.1V	0.225W	5mA
41874	BZX84C6V2ELT1G	ON-Semi.	Zener Voltage Regulators	SOT-23	6.2V	0.225W	5mA
41873	BZX84C7V5LT1G	ON-Semi.	Zener Voltage Regulators	SOT-23	7.5V	0.225W	5mA
41864	BZX84C12LT1G	ON-Semi.	Zener Voltage Regulators	SOT-23	12V	225mW	5mA
41866	BZX84C20LT1G	ON-Semi.	Zener Voltage Regulators	SOT-23	20v	225mW	5mA
29065	MM3210V	WEITRON	WEITRON_200mW Zener Diode	SOD-323	10Vz	200mW	5mA
40563	MM3211V	WEITRON	WEITRON_200mW Zener Diode	SOD-323	11Vz	200mW	5mA
42176	MM3211VT1G	ON-Semi.	Zener Diode	SOD-323	11V	0.2w	5mA
40250	MM3215V	WEITRON	WEITRON_200mW Zener Diode	SOD-323	15Vz	200mW	5mA
42177	MM3215VT1G	ON-Semi.	Zener Diode	SOD-323	15V	0.2W	5mA
29066	MM3216V	WEITRON	WEITRON_200mW Zener Diode	SOD-323	16.2Vz	200mW	5mA
42178	MM3220VT1	ON-Semi.	Zener Diode	SOD-323	20V	0.2W	5mA
40391	MM3224V	WEITRON	WEITRON_200mW Zener Diode	SOD-323	24.2Vz	200mW	5mA
42179	MM322V7T1	ON-Semi.	Zener Diode	SOD-323	2.7V	0.2W	5mA
42180	MM324V3ST1G	ON-Semi.	Zener Voltage Regulators	SOD-323	4.3V	0.2W	5mA
42181	MM324V7ST1G	ON-Semi.	Zener Voltage Regulators	SOD-323	4.7V	0.2W	5mA
40249	MM325V1	WEITRON	WEITRON_200mW Zener Diode	SOD-323	5.1Vz	200mW	5mA
42182	MM325V1ST1G	ON-Semi.	Zener Voltage Regulators	SOD-323	5.1V	0.2W	5mA
42183	MM327V5ST1G	ON-Semi.	Zener Voltage Regulators	SOD-323	7.5V	0.2W	5mA
42184	MM328V2ST1	ON-Semi.	Zener Voltage Regulators	SOD-323	8.2V	0.2W	5mA
42185	MM329V1ST1G	ON-Semi.	Zener Voltage Regulators	SOD-323	9.1V	0.2W	5mA
42186	MM329V1T1G	ON-Semi.	Zener Diode	SOD-323	9.1v	0.2W	5mA
42187	MM5224VT1	ON-Semi.	Zener Voltage Regulators	SOD-523	24V	0.2W	5mA
42188	MM522V4ST1G	ON-Semi.	Zener Voltage Regulators	SOD-523	2.4V	0.2W	5mA
42189	MM5243VT1	ON-Semi.	Zener Voltage Regulators	SOD-523	43V	0.2W	2mA
42190	MM524V7T1G	ON-Semi.	Zener Voltage Regulators	SOD-523	4.7V	0.2W	5mA
42191	MM525V1T1G	ON-Semi.	Zener Voltage Regulators	SOD-523	5.1V	0.2W	5mA
42232	MMB233VALT1G	ON-Semi.	Dual Common Anode Zeners	SOT-23	33 V		
42234	MMB25221BLT1G	ON-Semi.	Zener Voltage Regulators	SOT-23	2.4V	0.225W	20mA
42235	MMB25222BLT1	ON-Semi.	Zener Voltage Regulators	SOT-23	2.5V	0.225W	20mA
42236	MMB25225BLT1G	ON-Semi.	Zener Voltage Regulators	SOT-23	3V	0.225W	20mA

