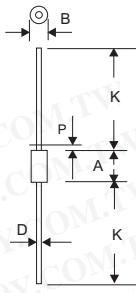


Semiconductors-Discretes

Other_TVS

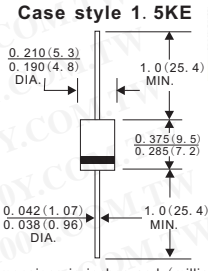
Detailed product specifications are available on: us.100y.com.tw



MOSORB
CASE 41A-04
ISSUE D

DIM	INCHES		MILLIMETERS	
	MIN	MAX	MIN	MAX
A	0.335	0.374	8.50	9.50
B	0.189	0.203	4.80	5.30
D	0.038	0.042	0.96	1.06
K	1.000	---	25.40	---
P	---	0.050	---	1.27

Case style 1.5KE



0.210 (5.3)
0.190 (4.8)
DIA. L

1.0 (25.4)
MIN.

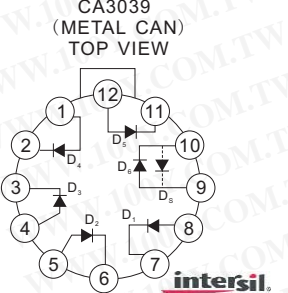
0.375 (9.5)
0.285 (7.2)

0.042 (1.07)
0.038 (0.96)
DIA.

1.0 (25.4)
MIN.

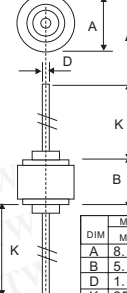
Dimensions in inches and (millimeters)

CA3039 (METAL CAN) TOP VIEW



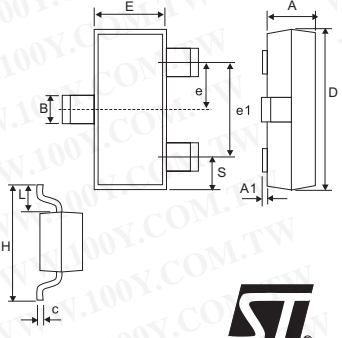
intersil

AXIAL LEAD BUTTON
CASE 194-04
ISSUE H



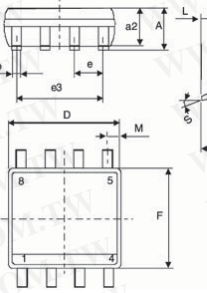
DIM	MILLIMETERS		INCHES	
	MIN	MAX	MIN	MAX
A	8.43	8.69	0.332	0.342
B	5.94	6.25	0.234	0.246
D	1.27	1.35	0.050	0.053
K	25.15	25.65	0.990	1.010

SOT23 (Plastic)



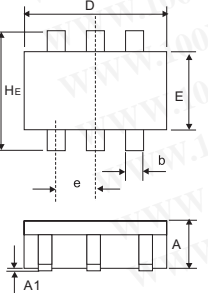
REF.	Millimeters		Inches	
	Min	Max	Min	Max
A	0.89	1.4	0.035	0.055
A1	0	0.1	0	0.004
B	0.3	0.51	0.012	0.02
c	0.085	0.18	0.003	0.007
D	2.75	3.04	0.108	0.12
e	0.85	1.05	0.033	0.041
e1	1.7	2.1	0.067	0.083
E	1.2	1.6	0.047	0.063
H	2.1	2.75	0.083	0.108
L	0.6typ.	---	0.024typ	---
S	0.35	0.65	0.014	0.026

SO-8 (Plastic)



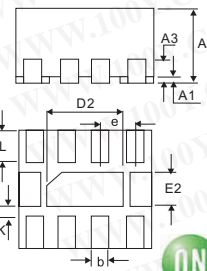
REF.	Millimeters			Inches		
	Min	Typ.	Max	Min	Typ.	Max
A	0.1	---	1.75	0.004	---	0.069
a2	---	---	1.65	---	---	0.065
b	0.35	---	0.48	0.014	---	0.019
b1	0.19	---	0.25	0.007	---	0.010
C	---	0.50	---	---	0.020	---
c1	---	---	45° (typ)	---	---	---
D	4.8	---	5.0	0.189	---	0.197
E	5.8	---	6.2	0.228	---	0.244
e	---	1.27	---	---	0.050	---
e3	---	3.81	---	---	0.150	---
F	3.8	---	4.0	0.15	---	0.157
L	0.4	---	1.27	0.016	---	0.050
M	---	---	0.6	---	---	0.024
S	---	---	8° (max)	---	---	---

TSOP-6
CASE 318F-05
ISSUE L



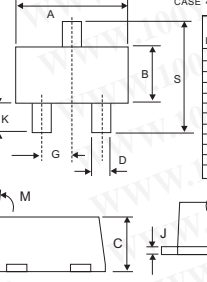
DIM	MILLIMETERS		INCHES	
	MIN	NOM	MIN	MAX
A	0.90	1.00	0.035	0.039
A1	0.01	0.06	0.001	0.002
b	0.25	0.37	0.010	0.015
c	0.10	0.18	0.004	0.007
D	2.90	3.00	0.114	0.118
E	1.30	1.50	0.051	0.059
e	0.85	0.95	0.034	0.037
L	0.20	0.40	0.008	0.016
He	2.50	2.75	0.099	0.108
θ	0°	10°	0°	10°

DFN8
CASE 506AK-01
ISSUE C



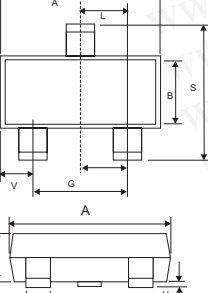
DIM	Millimeters	
	MIN	MAX
A	0.80	1.00
A1	0.00	0.05
A3	0.20	REF
b	0.15	0.25
D	1.60	BSC
D2	0.70	0.90
E	1.60	BSC
E2	0.30	0.50
e	0.40	BSC
K	0.20	---
L	0.20	0.40

SC-89, 3-LEAD
CASE 463C-03 ISSUE C



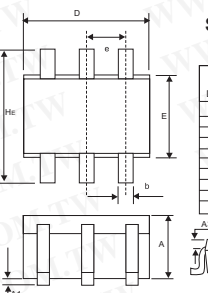
DIM	MILLIMETERS			INCHES		
	MIN	NOM	MAX	MIN	NOM	MAX
A	1.50	1.60	1.70	0.059	0.063	0.067
B	0.75	0.85	0.95	0.030	0.034	0.040
C	0.50	0.70	0.80	0.024	0.028	0.031
D	0.23	0.28	0.33	0.009	0.011	0.013
G	0.50	BSC	---	0.020	BSC	---
H	0.53	REF	---	0.021	REF	---
J	0.10	0.15	0.20	0.004	0.006	0.008
K	0.30	0.40	0.50	0.012	0.016	0.020
L	1.10	REF	---	0.043	REF	---
M	---	10	---	---	10	---
N	1.50	1.60	1.70	0.059	0.063	0.067

SOT-23



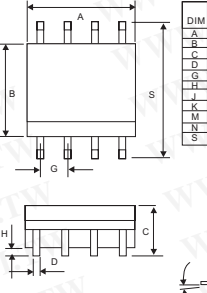
DIM	MILLIMETERS		INCHES	
	MIN	MAX	MIN	MAX
A	2.80	3.04	0.1102	0.1197
B	1.20	1.40	0.0472	0.0551
C	0.89	1.11	0.0350	0.0440
D	0.37	0.60	0.0146	0.0239
G	7.75	2.04	0.0701	0.0807
H	0.113	0.190	0.0045	0.0075
J	0.085	0.177	0.0034	0.0070
K	0.45	0.60	0.0180	0.0238
L	0.89	1.02	0.0350	0.0401
S	2.10	2.50	0.0830	0.0984
V	0.45	0.60	0.0177	0.0238

SC-88/SC70-6/SOT-363
CASE 419B-02
ISSUE V



DIM	MILLIMETERS		INCHES	
	MIN	NOM	MIN	MAX
A	0.80	0.95	1.10	0.031
A1	0.00	0.05	0.10	0.000
a3	0.20	REF	---	0.008
b	0.10	0.21	0.30	0.004
c	0.10	0.14	0.25	0.004
D	1.80	2.00	2.20	0.071
E	1.15	1.25	1.35	0.045
e	0.65	BSC	---	0.026
L	0.10	0.20	0.30	0.004
Hf	2.00	2.10	2.20	0.078

SO-8
CASE 751-07
ISSUE AB



DIM	MILLIMETERS		INCHES	
	MIN	MAX	MIN	MAX
A	8.00	8.50	0.3150	0.3347
B	3.80	4.00	0.1500	0.1575
C	1.35	1.75	0.0531	0.0689
D	0.33	0.51	0.0130	0.0200
G	1.27	BSC	---	0.050
H	0.10	0.25	0.0040	0.0100
J	0.19	0.25	0.0075	0.0100
K	0.40	1.27	0.0160	0.0500
M	---	8	---	8
N	0.25	0.50	0.0100	0.0200
S	5.80	6.20	0.2280	0.2440

Part No.	Product No.	Manufacturer	Description	Power (W)	Stand-off V _{rw}	V _{br} min	V _{br} max	Unidirectional/directional	Package
35588	1N6267A	ON-Semi.	1500 Watt MOSORB Transient Voltage Suppressors 6.8 V Unidir	1500W	5.8V	6.45V	7.14V	uni-directional	AXIAL LEAD
35589	1N6277A	ON-Semi.	1500 Watt MOSORB Transient Voltage Suppressors 6.8 V Unidir	1500W	15.3V	17.1V	18.9V	uni-directional	AXIAL LEAD
39419	1N6303	VISHAY	TRANSZORB® Transient Voltage Suppressor	1500 W	162v	180V	220V	uni-directional	Case Style 1.5KE
43952	CA3039	Intersil	Diode Array			5V	20V		12 Pin Metal Can
41884	DF6A.8FUT1	ON-Semi.	Quad Array for ESD Protection	0.385W		6.4V	7.2V		SC788
33118	ESDA6V1L	ST(SGS)	DUAL TRANSIL ARRAY FOR ESD PROTECTION	300W	5.25	6.1	7.2	directional	SOT23 PLASTIC
34421	ITA6V1U1	ST(SGS)	TRANSILTM ARRAY FOR DATALINE PROTECTION	300W	5V	6.10V			SO-8
35479	MR2535L	ON-Semi.	Overvoltage Transient Suppressors		20V	24V	32V		Axial Lead Button
42835	NUP4201DR2	ON-Semi.	Low Capacitance SurfaceMount TVS for High-Speed Data Interfaces	500W		6V	12V		SO-8
42539	NUP4301MR6T1G	ON-Semi.	Low Capacitance Diode			70V			TSOP-6
42541	NUP4304MR6T1G	ON-Semi.	Low Capacitance Diode Array						TSOP-6



T E L : Taiwan : 886-3-5753170
F A X : Taiwan : 886-3-5753172
E-mail : Taiwan : us_sale@100y.com.tw

Shenzhen : 86-755-83298787
Shenzhen : 86-755-83640655
Shenzhen : 100y@163.com

Shanghai : 86-21-54151736
Shanghai : 86-21-64605107
Shanghai : 100y-1@163.com