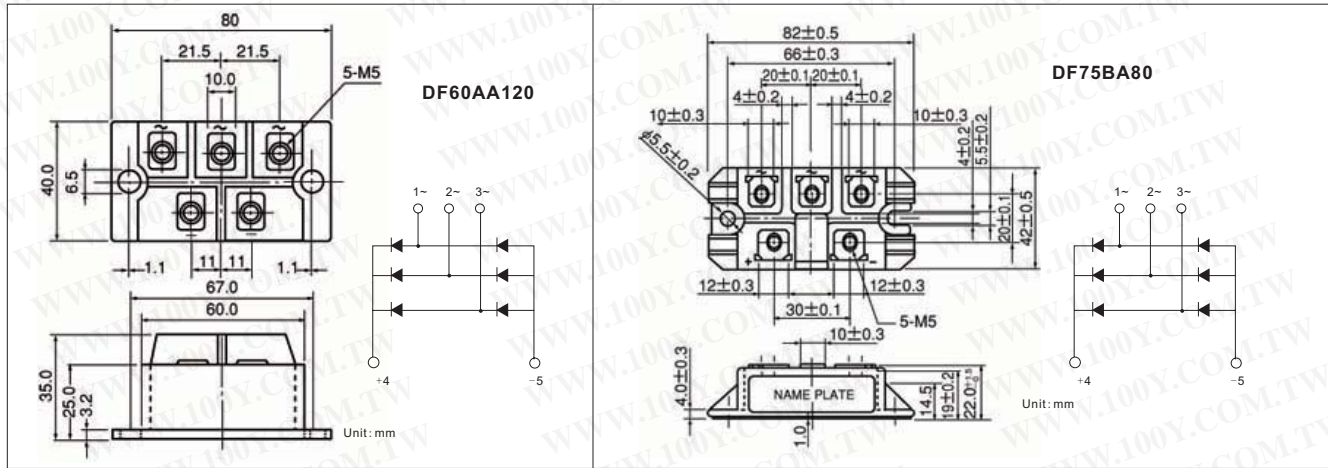
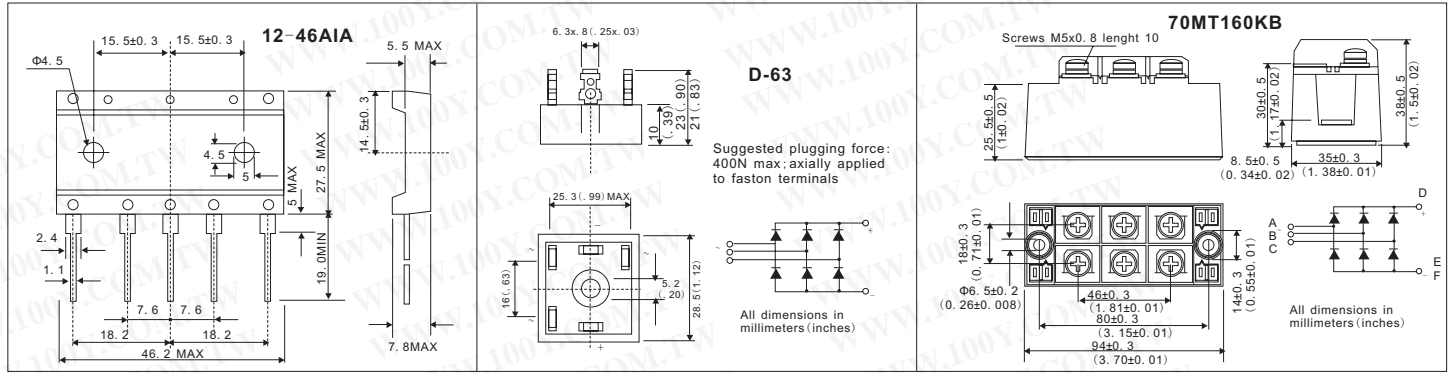


# Semiconductors-Discretes

## Three Phase Rectifiers

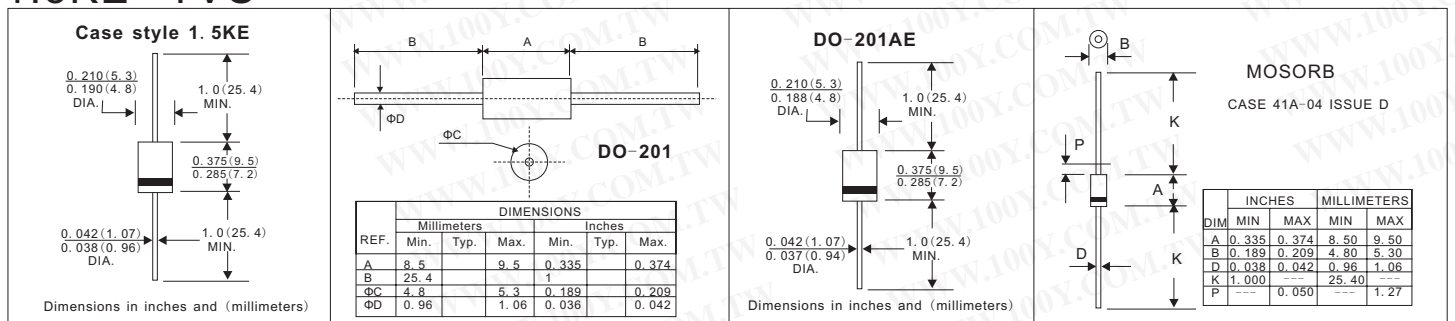
Detailed product specifications are available on: [us.100y.com.tw](http://us.100y.com.tw)



Part No.	Product No.	Manufacturer	Description	Vrrm	IF (A)	Package
35424	110MT160K	IR	THREE PHASE BRIDGE	1600A	950A	5-Lead Molded
35742	160MT80KB	IR	THREE PHASE BRIDGE	800V	160A	
16474	20L6P45	TOSHIBA	Three Phase Rectifiers	800V	20A	12-46A1A
35731	26MT120	IR	THREE PHASE BRIDGE	1200V	25A	D-63
35732	26MT160	IR	THREE PHASE BRIDGE	1600V	25A	D-63
35733	26MT60	IR	THREE PHASE BRIDGE	600V	25A	D-63
35734	26MT80	IR	THREE PHASE BRIDGE	800V	25A	D-63
16507	30G6P41	TOSHIBA	Three Phase Rectifiers	1000V	30A	
36129	36MT100	IR	THREE PHASE BRIDGE	1000V	35A	
36128	36MT120	IR	THREE PHASE BRIDGE	1200V	35A	
28438	36MT160	IR	THREE PHASE BRIDGE	160V	35A	5-Lead Molded
36124	36MT80	IR	THREE PHASE BRIDGE	800V	35A	
35660	70MT160KB	IR	THREE PHASE BRIDGE	1600V	60A	
16644	DF60AA120	SanRex	SanRex_DIODE Module	1200V	60A	
42832	DF75AA160	SanRex	DIODE Module	1600V	75A	
32196	DF75BA80	SanRex	DIODE Module	800V	75A	

## Transient Voltage Suppressors 1.5KE~TVS

Detailed product specifications are available on: [us.100y.com.tw](http://us.100y.com.tw)



Part No.	Product No.	Manufacturer	Description	Power (W)	Stand-off Vrrm	Vbr min	Vbr max	Unidirectional/Directional	Package
35366	1.5KE400A	ON-Semi.	TRANSZORB TRANSIENT VOLTAGE SUPPRESSOR	1500W	342V	360V	420V	UNDIRECTIONAL	DO-15



T E L : Taiwan: 886-3-5753170  
 F A X : Taiwan: 886-3-5753172  
 E-mail : Taiwan: [us\\_sale@100y.com.tw](mailto:us_sale@100y.com.tw)

Shenzhen: 86-755-83298787  
 Shenzhen: 86-755-83640655  
 Shenzhen: 100y@163.com

Shanghai: 86-21-54151736  
 Shanghai: 86-21-64605107  
 Shanghai: 100y-1@163.com