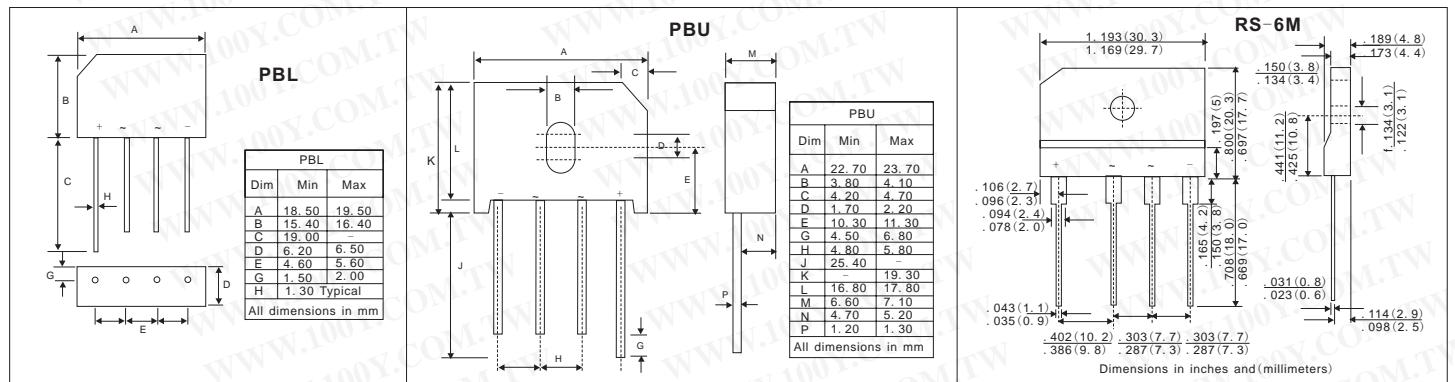
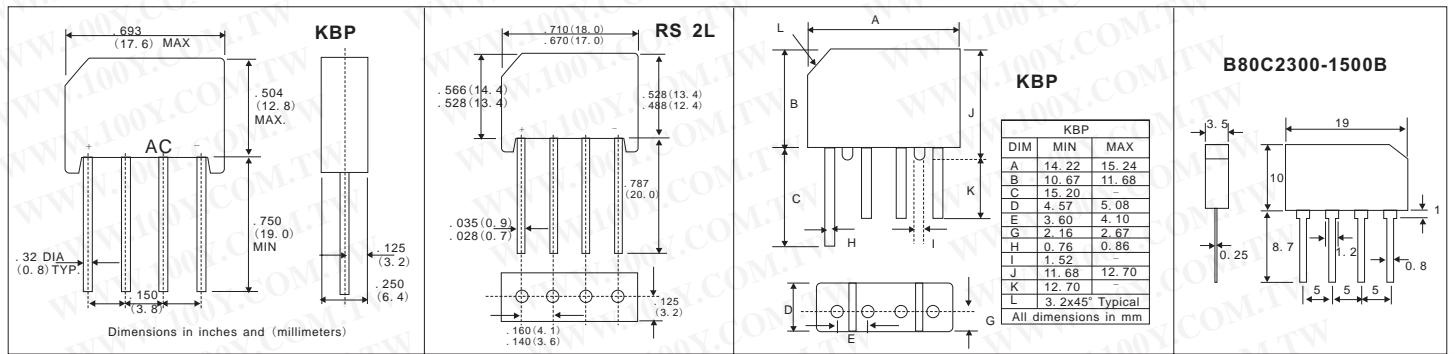
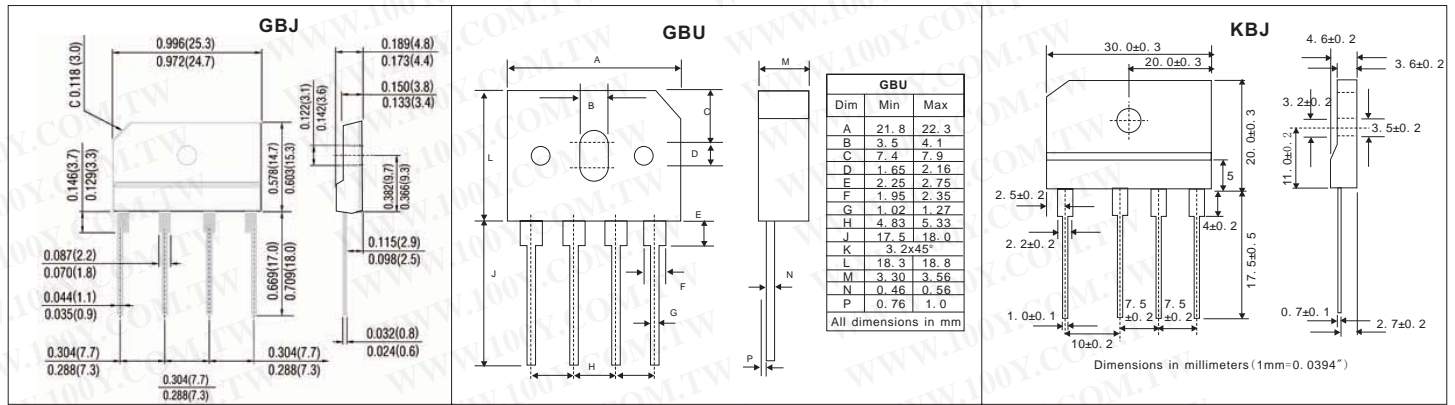


Semiconductors-Discretes

In-Line Type Full Wave Bridge Rectifiers

Detailed product specifications are available on: us.100y.com.tw



Part No.	Product No.	Manufacturer	Description	Vrrm	IF (A)	Package
35725	6GBU06	IR	6.0 Amps Single Phase Full Wave	600V	6A	4P
28651	B80C2300-1500B		Diotec_Silicon-Bridge Rectifiers	160V		
19647	GBJ8B	PANJIT	GLASS PASSIVATED SINGLE-PHASE BRIDGE RECTIFIER	100V	8A	GBJ
40688	GBU1008		Bridge Rectifiers	800V	10A	GBU
28488	KBJ1510		Bridge Rectifiers	1000	15A	KBJ
28490	KBJ2510		Bridge Rectifiers	1000	25A	KBJ
32200	KBP06	CHENG-YI	2.0A SINGLE-PHASE SILICON BRIDGE	600V	2.0A	KBP
40687	KBP06		1.5A SILICON BRIDGE RECTIFIERS	600V	1.5A	KBP
41502	KBP205		2.0A BRIDGE RECTIFIERS	1.1V	2A	RS-2L
27493	KBP206		2.0A Bridge Rectifier	600V	2.0A	KBP
8557	PBL406	LITE-ON	Bridge Rectifiers	800V	4A	PBL
7585	PBU605	LITE-ON	Bridge Rectifiers	600V	6A	PBU
4037	PBU805	LITE-ON	Bridge Rectifier	600V	8A	PBU
29814	RS605M	RECTRON	RECTRON_6.0A Single phase silicon bridge rectifier	600V	6.0A	4P/RS-6M

- We provide a wide range of products to development and maintenance engineers in all type of business
- If you cannot find the components you want on the catalogue, please call us.

Taiwan: 886-3-5753170

Shanghai: 021-54151736 Shenzhen: 0755-83298787

Centenary Materials

Waiting for your phone call



T E L : Taiwan: 886-3-5753170
 F A X : Taiwan: 886-3-5753172
 E-mail : Taiwan: us_sale@100y.com.tw

Shenzhen: 86-755-83298787
 Shenzhen: 86-755-83640655
 Shenzhen: 100y@163.com

Shanghai: 86-21-54151736
 Shanghai: 86-21-64605107
 Shanghai: 100y-1@163.com