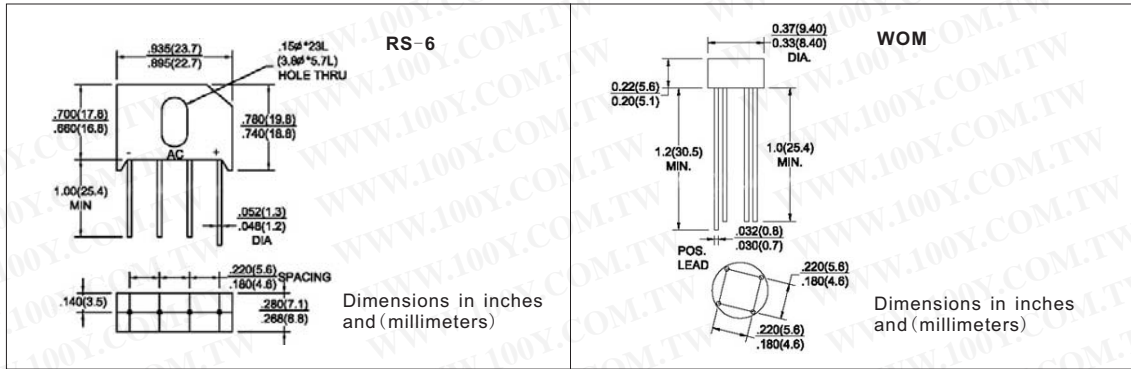


Semiconductors-Discretes

DACO_Bridge Rectifiers

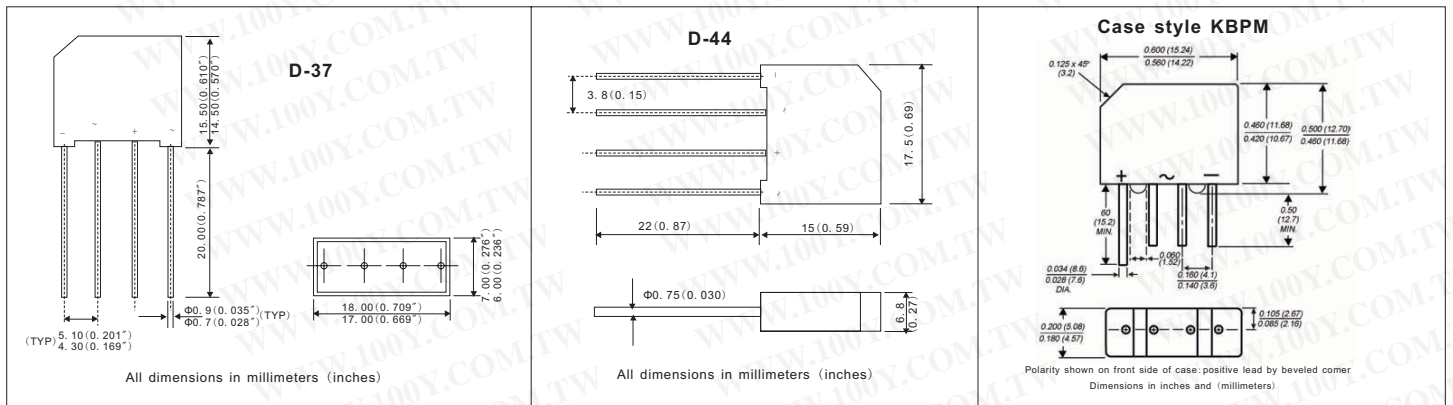
Detailed product specifications are available on: us.100y.com.tw



| Part No. | Product No. | Manufacturer | Description | Vrrm | IF (A) | Package |
|----------|-------------|--------------|---|-------|--------|---------|
| 25020 | RS601 | DACO | DACO_6.0A Single phase silicon bridge rectifier | 50V | 6.0A | 4P/RS-6 |
| 25021 | RS602 | DACO | DACO_6.0A Single phase silicon bridge rectifier | 100V | 6.0A | 4P/RS-6 |
| 25022 | RS603 | DACO | DACO_6.0A Single phase silicon bridge rectifier | 200V | 6.0A | 4P/RS-6 |
| 25023 | RS604 | DACO | DACO_6.0A Single phase silicon bridge rectifier | 400V | 6.0A | 4P/RS-6 |
| 25024 | RS605 | DACO | DACO_6.0A Single phase silicon bridge rectifier | 600V | 6.0A | 4P/RS-6 |
| 25025 | RS606 | DACO | DACO_6.0A Single phase silicon bridge rectifier | 800V | 6.0A | 4P/RS-6 |
| 25026 | RS607 | DACO | DACO_6.0A Single phase silicon bridge rectifier | 1000V | 6.0A | 4P/RS-6 |
| 25006 | W005M | DACO | DACO_1.5A Single phase silicon bridge rectifier | 50V | 1.0A | 4PWOM |
| 25007 | W01M | DACO | DACO_1.5A Single phase silicon bridge rectifier | 100V | 1.0A | 4PWOM |
| 25008 | W02M | DACO | DACO_1.5A Single phase silicon bridge rectifier | 200V | 1.0A | 4PWOM |
| 25009 | W06M | DACO | DACO_1.5A Single phase silicon bridge rectifier | 600V | 1.0A | 4PWOM |
| 25010 | W08M | DACO | DACO_1.5A Single phase silicon bridge rectifier | 800V | 1.0A | 4PWOM |
| 25011 | W10M | DACO | DACO_1.5A Single phase silicon bridge rectifier | 1000V | 1.0A | 4PWOM |

In-Line Type Full Wave Bridge Rectifiers

Detailed product specifications are available on: us.100y.com.tw



| Part No. | Product No. | Manufacturer | Description | Vrrm | IF (A) | Package |
|----------|-------------|--------------|--|-------|--------|---------|
| 35736 | 2KBB10 | IR | 1.9A single phase rectifier bridge | 100V | 1.9A | D-37 |
| 35738 | 2KBB10R | IR | 1.9A single phase rectifier bridge | 100V | 1.9A | D-37 |
| 35739 | 2KBB20 | IR | 1.9A single phase rectifier bridge | 200V | 1.9A | D-37 |
| 35740 | 2KBB20R | IR | 1.9A single phase rectifier bridge | 200V | 1.9A | D-37 |
| 35741 | 2KBB40 | IR | 1.9A single phase rectifier bridge | 400V | 1.9A | D-37 |
| 35743 | 2KBB40R | IR | 1.9A single phase rectifier bridge | 400V | 1.9A | D-37 |
| 35744 | 2KBB60 | IR | 1.9A single phase rectifier bridge | 600V | 1.9A | D-37 |
| 35745 | 2KBB60R | IR | 1.9A single phase rectifier bridge | 600V | 1.9A | D-37 |
| 35746 | 2KBB80 | IR | 1.9A single phase rectifier bridge | 800V | 1.9A | D-37 |
| 35750 | 2KBP02 | IR | 2A single phase rectifier bridge | 200V | 2A | D-44 |
| 35752 | 2KBP02M | VISHAY | GLASS PASSIVATED SINGLE-PHASE BRIDGE RECTIFIER | 200V | 2.0A | KBPM |
| 35754 | 2KBP04M | VISHAY | SINGLE-PHASE BRIDGE RECTIFIER | 400V | 2.0A | KBPM |
| 35751 | 2KBP08 | IR | 2A single phase rectifier bridge | 800V | 2A | D-44 |
| 35755 | 2KBP08M | VISHAY | SINGLE-PHASE BRIDGE RECTIFIER | 800V | 2.0A | KBPM |
| 35756 | 2KBP10M | VISHAY | SINGLE-PHASE BRIDGE RECTIFIER | 1000V | 2.0A | KBPM |



T E L : Taiwan : 886-3-5753170
 F A X : Taiwan : 886-3-5753172
 E-mail : Taiwan : us_sale@100y.com.tw

Shenzhen : 86-755-83298787
 Shenzhen : 86-755-83640655
 Shenzhen : 100y@163.com

Shanghai : 86-21-54151736
 Shanghai : 86-21-64605107
 Shanghai : 100y-1@163.com