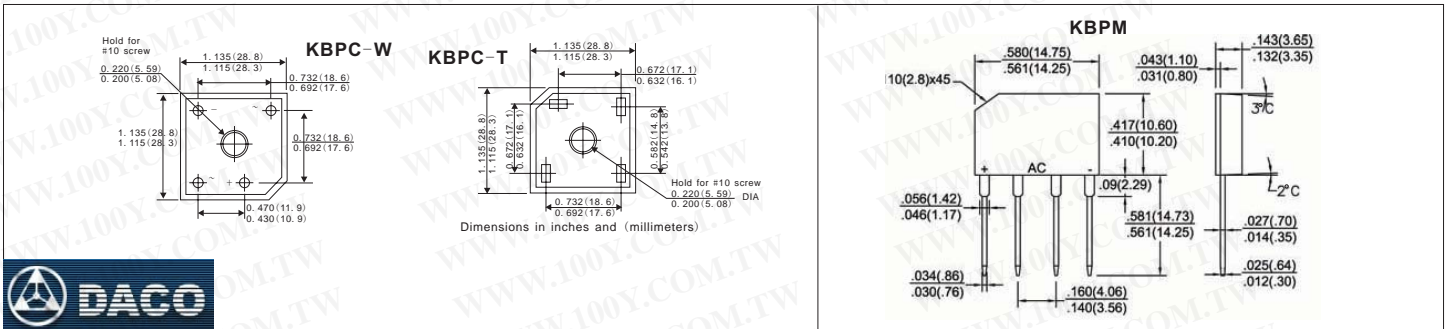


# Semiconductors-Discretes

## DACO\_Bridge Rectifiers

Detailed product specifications are available on: [us.100y.com.tw](http://us.100y.com.tw)

Part No.	Product No.	Manufacturer	Description	Vrrm	IF (A)	Package
24800	KBL801G	DACO	DACO_8.0A Single phase glass bridge rectifier	50V	8.0A	4P/KBL
24801	KBL802G	DACO	DACO_8.0A Single phase glass bridge rectifier	100V	8.0A	4P/KBL
24802	KBL803G	DACO	DACO_8.0A Single phase glass bridge rectifier	200V	8.0A	4P/KBL
24803	KBL804G	DACO	DACO_8.0A Single phase glass bridge rectifier	400V	8.0A	4P/KBL
24805	KBL806G	DACO	DACO_8.0A Single phase glass bridge rectifier	600V	8.0A	4P/KBL
24806	KBL808G	DACO	DACO_8.0A Single phase glass bridge rectifier	800V	8.0A	4P/KBL
24807	KBL810G	DACO	DACO_8.0A Single phase glass bridge rectifier	1000V	8.0A	4P/KBL



Part No.	Product No.	Manufacturer	Description	Vrrm	IF (A)	Package
24898	KBPC15005GT/W	DACO	DACO_15A Single phase glass bridge rectifier	50V	7.5A	4P/KBPC-T/W
24899	KBPC1501GT/W	DACO	DACO_15A Single phase glass bridge rectifier	100V	7.5A	4P/KBPC-T/W
24900	KBPC1502GT/W	DACO	DACO_15A Single phase glass bridge rectifier	200V	7.5A	4P/KBPC-T/W
24901	KBPC1504GT/W	DACO	DACO_15A Single phase glass bridge rectifier	400V	7.5A	4P/KBPC-T/W
24902	KBPC1506GT/W	DACO	DACO_15A Single phase glass bridge rectifier	600V	7.5A	4P/KBPC-T/W
24903	KBPC1508GT/W	DACO	DACO_15A Single phase glass bridge rectifier	800V	7.5A	4P/KBPC-T/W
24904	KBPC1510GT/W	DACO	DACO_15A Single phase glass bridge rectifier	1000V	7.5A	4P/KBPC-T/W
24932	KBPC25005GT/W	DACO	DACO_25A Single phase glass bridge rectifier	50V	12.5A	4P/KBPC-T/W
24933	KBPC2501GT/W	DACO	DACO_25A Single phase glass bridge rectifier	100V	12.5A	4P/KBPC-T/W
24934	KBPC2502GT/W	DACO	DACO_25A Single phase glass bridge rectifier	200V	12.5A	4P/KBPC-T/W
24935	KBPC2504GT/W	DACO	DACO_25A Single phase glass bridge rectifier	400V	12.5A	4P/KBPC-T/W
24936	KBPC2506GT/W	DACO	DACO_25A Single phase glass bridge rectifier	600V	12.5A	4P/KBPC-T/W
24937	KBPC2508GT/W	DACO	DACO_25A Single phase glass bridge rectifier	800V	12.5A	4P/KBPC-T/W
24938	KBPC2510GT/W	DACO	DACO_25A Single phase glass bridge rectifier	1000V	12.5A	4P/KBPC-T/W
24992	KBPC35005GT/W	DACO	DACO_35A Single phase glass bridge rectifier	50V	17.5A	4P/KBPC-T/W
24993	KBPC3501GT/W	DACO	DACO_35A Single phase glass bridge rectifier	100V	17.5A	4P/KBPC-T/W
24994	KBPC3502GT/W	DACO	DACO_35A Single phase glass bridge rectifier	200V	17.5A	4P/KBPC-T/W
24995	KBPC3504GT/W	DACO	DACO_35A Single phase glass bridge rectifier	400V	17.5A	4P/KBPC-T/W
24996	KBPC3506GT/W	DACO	DACO_35A Single phase glass bridge rectifier	600V	17.5A	4P/KBPC-T/W
24997	KBPC3508GT/W	DACO	DACO_35A Single phase glass bridge rectifier	800V	17.5A	4P/KBPC-T/W
24998	KBPC3510GT/W	DACO	DACO_35A Single phase glass bridge rectifier	1000V	17.5A	4P/KBPC-T/W
24999	KBPC50005GT/W	DACO	DACO_50A Single phase glass bridge rectifier	50V	25A	4P/KBPC-T/W
25000	KBPC5001GT/W	DACO	DACO_50A Single phase glass bridge rectifier	100V	25A	4P/KBPC-T/W
25001	KBPC5002GT/W	DACO	DACO_50A Single phase glass bridge rectifier	200V	25A	4P/KBPC-T/W
25002	KBPC5004GT/W	DACO	DACO_50A Single phase glass bridge rectifier	400V	25A	4P/KBPC-T/W
25003	KBPC5006GT/W	DACO	DACO_50A Single phase glass bridge rectifier	600V	25A	4P/KBPC-T/W
25004	KBPC5008GT/W	DACO	DACO_50A Single phase glass bridge rectifier	800V	25A	4P/KBPC-T/W
25005	KBPC5010GT	DACO	DACO_50A Single phase glass bridge rectifier	1000V	25A	4P/KBPC-T/W
24763	KBPM005G	DACO	DACO_1.5A Single phase glass bridge rectifier	50V	1.5A	4P/KBPM
24764	KBPM01G	DACO	DACO_1.5A Single phase glass bridge rectifier	100V	1.5A	4P/KBPM
24765	KBPM02G	DACO	DACO_1.5A Single phase glass bridge rectifier	200V	1.5A	4P/KBPM
24766	KBPM04G	DACO	DACO_1.5A Single phase glass bridge rectifier	400V	1.5A	4P/KBPM
24767	KBPM06G	DACO	DACO_1.5A Single phase glass bridge rectifier	600V	1.5A	4P/KBPM
24768	KBPM08G	DACO	DACO_1.5A Single phase glass bridge rectifier	800V	1.5A	4P/KBPM
24769	KBPM10G	DACO	DACO_1.5A Single phase glass bridge rectifier	1000V	1.5A	4P/KBPM
24770	KBPM2005G	DACO	DACO_2.0A Single phase glass bridge rectifier	50V	2.0A	4P/KBPM
24771	KBPM201G	DACO	DACO_2.0A Single phase glass bridge rectifier	100V	2.0A	4P/KBPM
24772	KBPM202G	DACO	DACO_2.0A Single phase glass bridge rectifier	200V	2.0A	4P/KBPM
24773	KBPM204G	DACO	DACO_2.0A Single phase glass bridge rectifier	400V	2.0A	4P/KBPM
24774	KBPM206G	DACO	DACO_2.0A Single phase glass bridge rectifier	600V	2.0A	4P/KBPM
24775	KBPM208G	DACO	DACO_2.0A Single phase glass bridge rectifier	800V	2.0A	4P/KBPM

