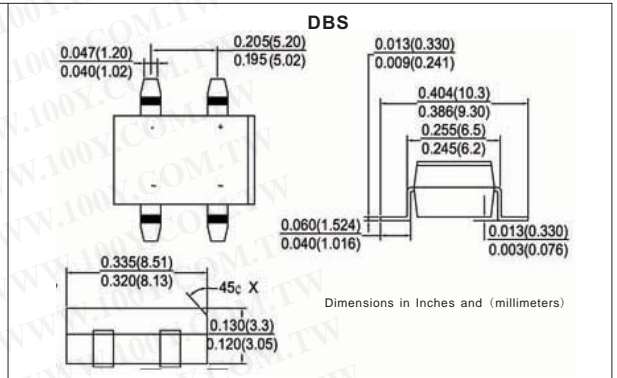
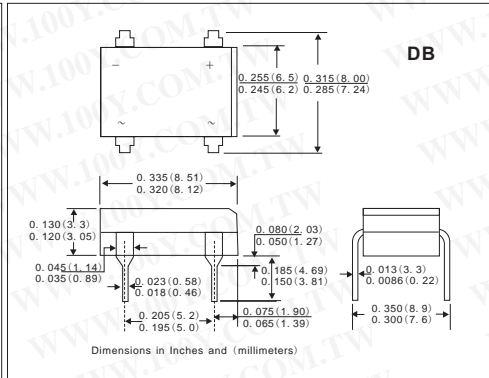
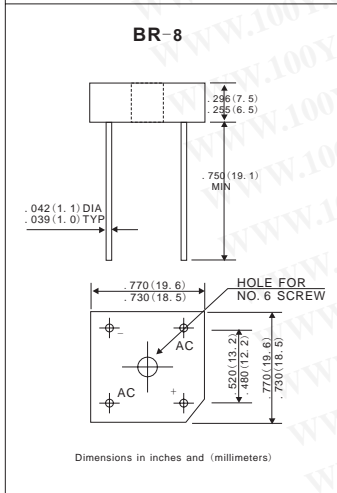
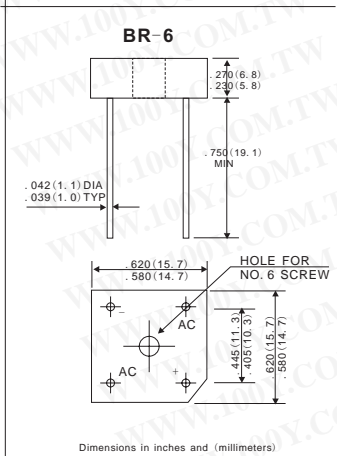
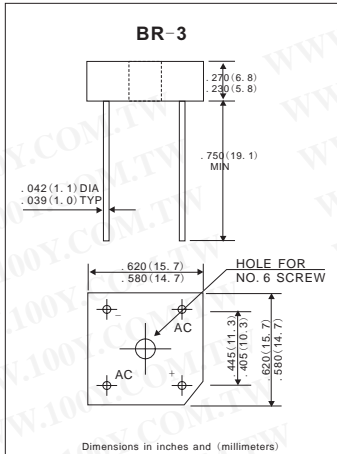


Semiconductors-Discretes

DACO_Bridge Rectifiers

Detailed product specifications are available on: us.100y.com.tw



| Part No. | Product No. | Manufacturer | Description | Vrrm | IF (A) | Package |
|----------|-------------|--------------|---|-------|--------|---------|
| 25029 | BR305 | DACO | DACO_3.0A Single phase silicon bridge rectifier | 50V | 1.5A | 4P/BR-3 |
| 25030 | BR31 | DACO | DACO_3.0A Single phase silicon bridge rectifier | 100V | 1.5A | 4P/BR-3 |
| 25035 | BR310 | DACO | DACO_3.0A Single phase silicon bridge rectifier | 1000V | 1.5A | 4P/BR-3 |
| 25031 | BR32 | DACO | DACO_3.0A Single phase silicon bridge rectifier | 200V | 1.5A | 4P/BR-3 |
| 25032 | BR34 | DACO | DACO_3.0A Single phase silicon bridge rectifier | 400V | 1.5A | 4P/BR-3 |
| 25033 | BR36 | DACO | DACO_3.0A Single phase silicon bridge rectifier | 600V | 1.5A | 4P/BR-3 |
| 25034 | BR38 | DACO | DACO_3.0A Single phase silicon bridge rectifier | 800V | 1.5A | 4P/BR-3 |
| 25038 | BR605 | DACO | DACO_6.0A Single phase silicon bridge rectifier | 50V | 3.0A | 4P/BR-6 |
| 25039 | BR61 | DACO | DACO_6.0A Single phase silicon bridge rectifier | 100V | 3.0A | 4P/BR-6 |
| 25044 | BR610 | DACO | DACO_6.0A Single phase silicon bridge rectifier | 1000V | 3.0A | 4P/BR-6 |
| 25040 | BR62 | DACO | DACO_6.0A Single phase silicon bridge rectifier | 200V | 3.0A | 4P/BR-6 |
| 25041 | BR64 | DACO | DACO_6.0A Single phase silicon bridge rectifier | 400V | 3.0A | 4P/BR-6 |
| 25042 | BR66 | DACO | DACO_6.0A Single phase silicon bridge rectifier | 600V | 3.0A | 4P/BR-6 |
| 25043 | BR68 | DACO | DACO_6.0A Single phase silicon bridge rectifier | 800V | 3.0A | 4P/BR-6 |
| 25045 | BR805 | DACO | DACO_8.0A Single phase silicon bridge rectifier | 50V | 4.0A | 4P/BR-8 |
| 25046 | BR81 | DACO | DACO_8.0A Single phase silicon bridge rectifier | 100V | 4.0A | 4P/BR-8 |
| 25051 | BR810 | DACO | DACO_8.0A Single phase silicon bridge rectifier | 1000V | 4.0A | 4P/BR-8 |
| 25047 | BR82 | DACO | DACO_8.0A Single phase silicon bridge rectifier | 200V | 4.0A | 4P/BR-8 |
| 25048 | BR84 | DACO | DACO_8.0A Single phase silicon bridge rectifier | 400V | 4.0A | 4P/BR-8 |
| 25049 | BR86 | DACO | DACO_8.0A Single phase silicon bridge rectifier | 600V | 4.0A | 4P/BR-8 |
| 25050 | BR88 | DACO | DACO_8.0A Single phase silicon bridge rectifier | 800V | 4.0A | 4P/BR-8 |
| 24714 | DB101G | DACO | DACO_1.0A Single phase glass bridge rectifier | 50V | 1.0A | 4P/DIP |
| 24694 | DB101GS | DACO | DACO_1.0A Single phase glass bridge rectifier | 50V | 1.0A | 4P/SMD |
| 24715 | DB102G | DACO | DACO_1.0A Single phase glass bridge rectifier | 100V | 1.0A | 4P/DIP |
| 24695 | DB102GS | DACO | DACO_1.0A Single phase glass bridge rectifier | 100V | 1.0A | 4P/SMD |
| 24716 | DB103G | DACO | DACO_1.0A Single phase glass bridge rectifier | 200V | 1.0A | 4P/DIP |
| 24696 | DB103GS | DACO | DACO_1.0A Single phase glass bridge rectifier | 200V | 1.0A | 4P/SMD |
| 24697 | DB104GS | DACO | DACO_1.0A Single phase glass bridge rectifier | 400V | 1.0A | 4P/SMD |
| 24717 | DB105G | DACO | DACO_1.0A Single phase glass bridge rectifier | 600V | 1.0A | 4P/DIP |
| 24698 | DB105GS | DACO | DACO_1.0A Single phase glass bridge rectifier | 600V | 1.0A | 4P/SMD |
| 24718 | DB106G | DACO | DACO_1.0A Single phase glass bridge rectifier | 800V | 1.0A | 4P/DIP |
| 24699 | DB106GS | DACO | DACO_1.0A Single phase glass bridge rectifier | 800V | 1.0A | 4P/SMD |
| 24719 | DB107G | DACO | DACO_1.0A Single phase glass bridge rectifier | 1000V | 1.0A | 4P/DIP |
| 24700 | DB107GS | DACO | DACO_1.0A Single phase glass bridge rectifier | 1000V | 1.0A | 4P/SMD |
| 24720 | DB151G | DACO | DACO_1.5A Single phase glass bridge rectifier | 50V | 1.5A | 4P/DIP |
| 24707 | DB151GS | DACO | DACO_1.5A Single phase glass bridge rectifier | 50V | 1.5A | 4P/SMD |
| 24721 | DB152G | DACO | DACO_1.5A Single phase glass bridge rectifier | 100V | 1.5A | 4P/DIP |
| 24708 | DB152GS | DACO | DACO_1.5A Single phase glass bridge rectifier | 100V | 1.5A | 4P/SMD |
| 24722 | DB153G | DACO | DACO_1.5A Single phase glass bridge rectifier | 200V | 1.5A | 4P/DIP |
| 24709 | DB153GS | DACO | DACO_1.5A Single phase glass bridge rectifier | 200V | 1.5A | 4P/SMD |
| 24723 | DB154G | DACO | DACO_1.5A Single phase glass bridge rectifier | 400V | 1.5A | 4P/DIP |
| 24710 | DB154GS | DACO | DACO_1.5A Single phase glass bridge rectifier | 400V | 1.5A | 4P/SMD |
| 24724 | DB155G | DACO | DACO_1.5A Single phase glass bridge rectifier | 600V | 1.5A | 4P/DIP |
| 24711 | DB155GS | DACO | DACO_1.5A Single phase glass bridge rectifier | 600V | 1.5A | 4P/SMD |
| 24725 | DB156G | DACO | DACO_1.5A Single phase glass bridge rectifier | 800V | 1.5A | 4P/DIP |
| 24712 | DB156GS | DACO | DACO_1.5A Single phase glass bridge rectifier | 800V | 1.5A | 4P/SMD |
| 24726 | DB157G | DACO | DACO_1.5A Single phase glass bridge rectifier | 1000V | 1.5A | 4P/DIP |
| 24713 | DB157GS | DACO | DACO_1.5A Single phase glass bridge rectifier | 1000V | 1.5A | 4P/SMD |

