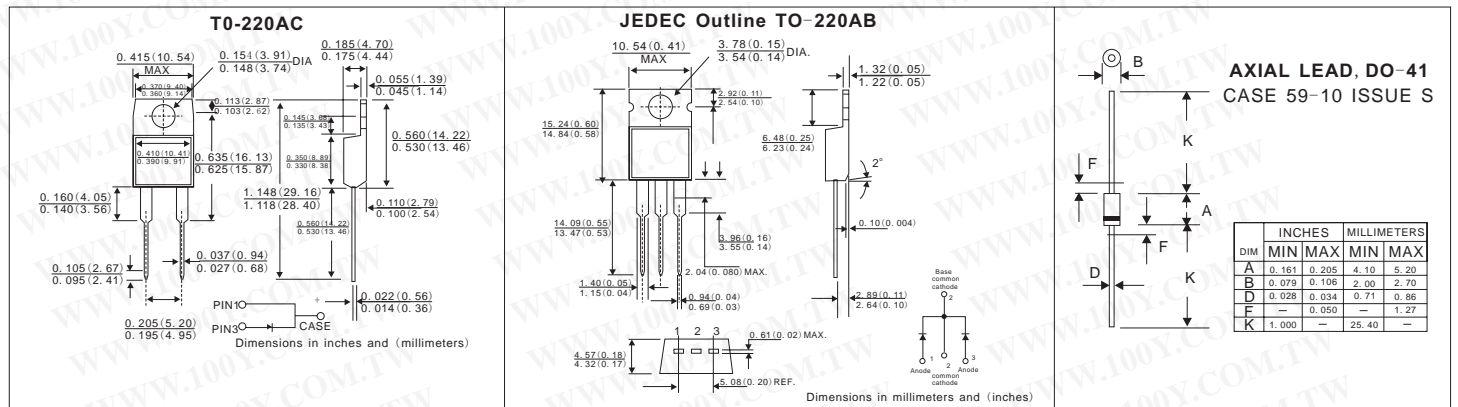
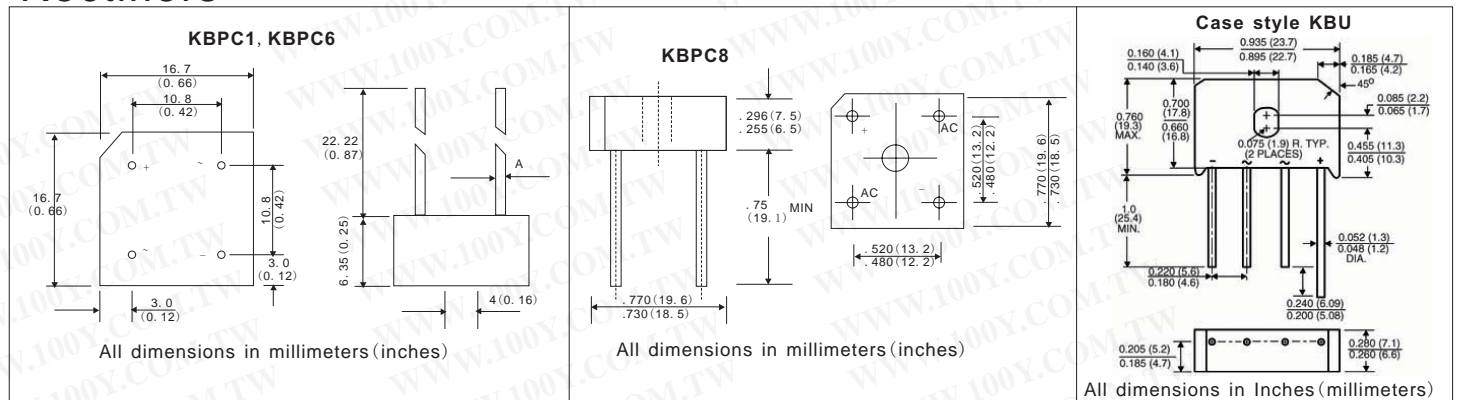


Semiconductors-Discretes

DIP-Type Full Wave Bridge Rectifiers

Detailed product specifications are available on: us.100y.com.tw



Part No.	Product No.	Manufacturer	Description	Vrrm	IF (A)	Package
34499	KBPC102	IR	3A,6A Single phase rectifier bridges	200V	3A	4P/DIP
34500	KBPC6005	IR	3A,6A Single phase rectifier bridges	50V	6A	4P/DIP
34502	KBPC602	IR	3A,6A Single phase rectifier bridges	200V	6A	4P/DIP
34504	KBPC604	IR	3A,6A Single phase rectifier bridges	400V	6A	4P/DIP
34505	KBPC606	IR	3A,6A Single phase rectifier bridges	600V	6A	4P/DIP
34506	KBPC608	IR	3A,6A Single phase rectifier bridges	800V	6A	4P/DIP
34507	KBPC610	IR	3A,6A Single phase rectifier bridges	1000V	6A	4P/DIP
34510	KBPC8005	IR	8A Single phase rectifier bridges	50V	8.0A	4P/DIP
34512	KBPC801	IR	8A Single phase rectifier bridges	100V	8.0A	4P/DIP
34513	KBPC802	IR	8A Single phase rectifier bridges	200V	8.0A	4P/DIP
34514	KBPC804	IR	8A Single phase rectifier bridges	400V	8.0A	4P/DIP
34515	KBPC808	IR	8A Single phase rectifier bridges	800V	8.0A	4P/DIP
34517	KBPC810	IR	8A Single phase rectifier bridges	1000V	8.0A	4P/DIP
34519	KBU4B	VISHAY	SINGLE-PHASE BRIDGE RECTIFIER	100V	4.0A	4P/DIP
34520	KBU4D	VISHAY	SINGLE-PHASE BRIDGE RECTIFIER	200V	4.0A	4P/DIP
34521	KBU4G	VISHAY	SINGLE-PHASE BRIDGE RECTIFIER	400V	4.0A	4P/DIP
34522	KBU4K	VISHAY	SINGLE-PHASE BRIDGE RECTIFIER	800V	4.0A	4P/DIP
34523	KBU4M	VISHAY	SINGLE-PHASE BRIDGE RECTIFIER	1000V	4.0A	4P/DIP
34524	KBU6B	VISHAY	SINGLE-PHASE BRIDGE RECTIFIERS	100V	6.0A	4P/DIP
34525	KBU6D	VISHAY	SINGLE-PHASE BRIDGE RECTIFIERS	200V	6.0A	4P/DIP
34526	KBU6G	VISHAY	SINGLE-PHASE BRIDGE RECTIFIERS	400V	6.0A	4P/DIP
34527	KBU6K	VISHAY	SINGLE-PHASE BRIDGE RECTIFIERS	800V	6.0A	4P/DIP
34528	KBU6M	VISHAY	SINGLE-PHASE BRIDGE RECTIFIERS	1000V	6.0A	4P/DIP
34529	KBU8B	VISHAY	SINGLE-PHASE BRIDGE RECTIFIER	100V	8.0A	4P/DIP
34530	KBU8D	VISHAY	SINGLE-PHASE BRIDGE RECTIFIER	200V	8.0A	4P/DIP
34531	KBU8G	VISHAY	SINGLE-PHASE BRIDGE RECTIFIER	400V	8.0A	4P/DIP
34532	KBU8K	VISHAY	SINGLE-PHASE BRIDGE RECTIFIER	800V	8.0A	4P/DIP
34533	KBU8M	VISHAY	SINGLE-PHASE BRIDGE RECTIFIER	1000V	8.0A	4P/DIP
35047	MBR1035	VISHAY	SCHOTTKY RECTIFIER	35V	10.0A	TO-220AC
35048	MBR1045	VISHAY	SCHOTTKY RECTIFIER	45V	10.0A	TO-220AC
35050	MBR1060	VISHAY	SCHOTTKY RECTIFIER	60V	10.0A	TO-220AC
35052	MBR150RL	ON-Semi.	SCHOTTKY BARRIER RECTIFIERS	50V	1.0A	DO-41
35055	MBR1545CT	IR	SCHOTTKY RECTIFIER	35V	15A	TO-220
35054	MBR160RL	ON-Semi.	SCHOTTKY BARRIER RECTIFIERS	60V	1.0A	DO-41

