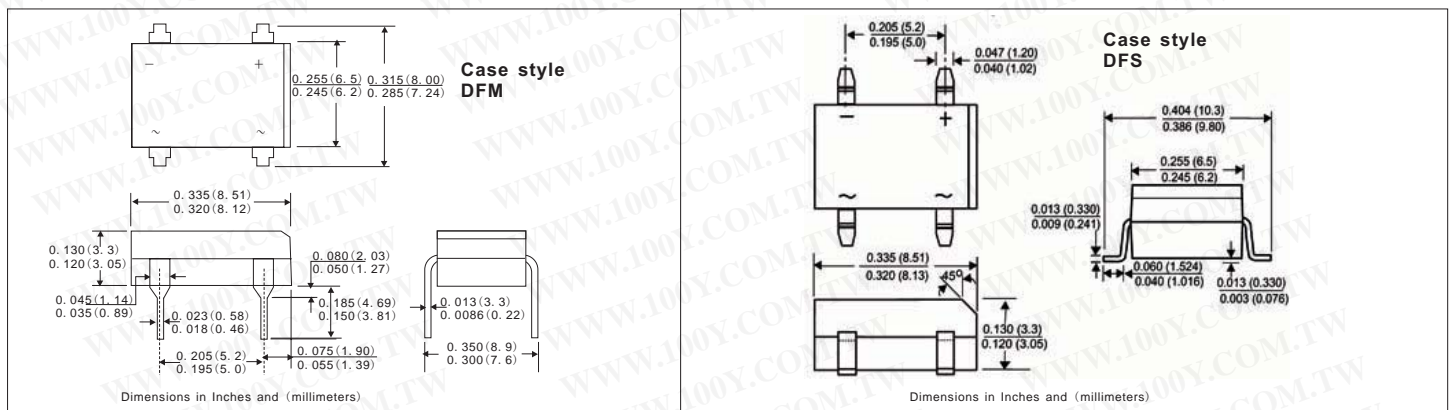
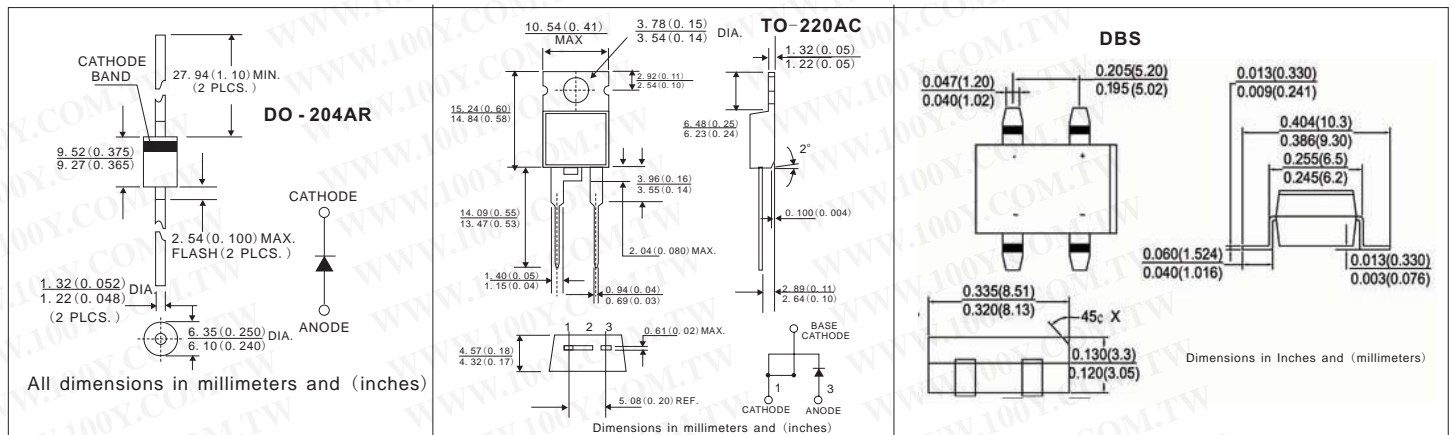


Semiconductors-Discretes

DIP-Type Full Wave Bridge Rectifiers

Detailed product specifications are available on: us.100y.com.tw



Part No.	Product No.	Manufacturer	Description	Vrrm	IF (A)	Package
35778	50SQ100	IR	SCHOTTKY RECTIFIER	100V	5A	DO - 204AR
35781	50SQ60	IR	SCHOTTKY RECTIFIER	60V	5A	DO - 204AR
35779	50SQ80	IR	SCHOTTKY RECTIFIER	80V	5A	DO - 204AR
36169	80SQ035	IR	SCHOTTKY RECTIFIER	35V	8A	DO - 204AR
36172	80SQ040	IR	SCHOTTKY RECTIFIER	40V	8A	DO - 204AR
36174	80SQ045	IR	SCHOTTKY RECTIFIER	45V	8A	DO - 204AR
36195	82CNQ030A	IR	SCHOTTKY RECTIFIER	30V	80A	D61-8
36196	83CNQ080A	IR	SCHOTTKY RECTIFIER	80V	80A	D61-8
36197	83CNQ100A	IR	SCHOTTKY RECTIFIER	100V	80A	D61-8
36198	85CNQ015A	IR	SCHOTTKY RECTIFIER	15V	80A	D61-8
36213	8TQ080	IR	SCHOTTKY RECTIFIER	80V	8A	TO-220
36214	8TQ100	IR	SCHOTTKY RECTIFIER	100V	8A	TO-220
24005	DB104G	DACO	DACO_Bridge Rectifiers	400V	1A	DIP
32972	DF005M	VISHAY	Miniature Glass Passivated Single-Phase Bridge Rectifiers	50V	1.0A	DIP
32967	DF005S	VISHAY	Miniature Glass Passivated Single-Phase Surface Mount Bridge Rectifiers	50V	1A	SMD
32973	DF01M	VISHAY	Miniature Glass Passivated Single-Phase Bridge Rectifiers	100V	1.0A	DIP
32974	DF02M	VISHAY	Miniature Glass Passivated Single-Phase Bridge Rectifiers	200V	1.0A	DIP
32969	DF02S	VISHAY	Miniature Glass Passivated Single-Phase Surface Mount Bridge Rectifiers	200V	1A	DIP-S
32975	DF04M	VISHAY	Miniature Glass Passivated Single-Phase Bridge Rectifiers	400V	1.0A	DIP
32970	DF04S	VISHAY	Miniature Glass Passivated Single-Phase Surface Mount Bridge Rectifiers	400V	1A	SMD
16493	DF06		Bridge Rectifiers	600V	1A	DIP
45357	DF06M	LITE-ON	Glass Passivated Bridge Rectifiers	600V	1.0A	DFM(4P/DIP)
32976	DF06M	VISHAY	Miniature Glass Passivated Single-Phase Bridge Rectifiers	600V	1.0A	DIP
32971	DF06S	VISHAY	Miniature Glass Passivated Single-Phase Surface Mount Bridge Rectifiers	600V	1A	SMD
32977	DF08M	VISHAY	Miniature Glass Passivated Single-Phase Bridge Rectifiers	800V	1.0A	DIP
32978	DF10M	VISHAY	Miniature Glass Passivated Single-Phase Bridge Rectifiers	1000V	1.0A	DIP
17107	DF1510M	LITE-ON	Bridge Rectifiers	1000V	1.5A	DIP

