

# Semiconductors-Discretes

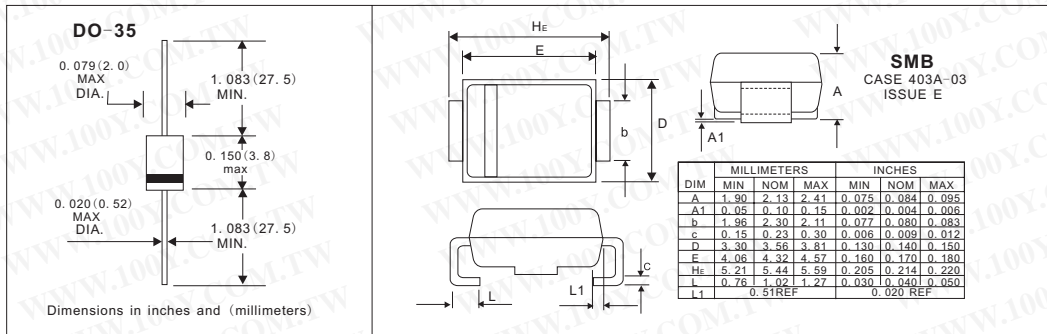
## Schottky Barrier Rectifiers

Detailed product specifications are available on: [us.100y.com.tw](http://us.100y.com.tw)

Part No.	Product No.	Manufacturer	Description	Pins/Package	Vrrm	IF (A)	Marking
34059	STPS1045F	ST(SGS)	POWER SCHOTTKY RECTIFIER	ISO220	45V	10A	
34055	STPS16045TV	ST(SGS)	POWER SCHOTTKY RECTIFIER	ISOTOP	45V	160A	
34054	STPS24045TV	ST(SGS)	POWER SCHOTTKY RECTIFIER	ISOTOP	45V	240A	
34840	STPS3045CT	ST(SGS)	Power Schottky Rectifier(Pb Free)	3P/TO220AB	45V	2*15A	
34057	STPS340U	ST(SGS)	POWER SCHOTTKY RECTIFIER	SMB	40V	10A	U34
34053	STPS6045CPI	ST(SGS)	POWER SCHOTTKY RECTIFIER	TOP-3I	45V	60A	
23155	ZHCS1000TA		SILICON HIGH CURRENT SCHOTTKY BARRIER DIODE	3P/SOT-23	40V	1000mA	

## Germanium Diodes

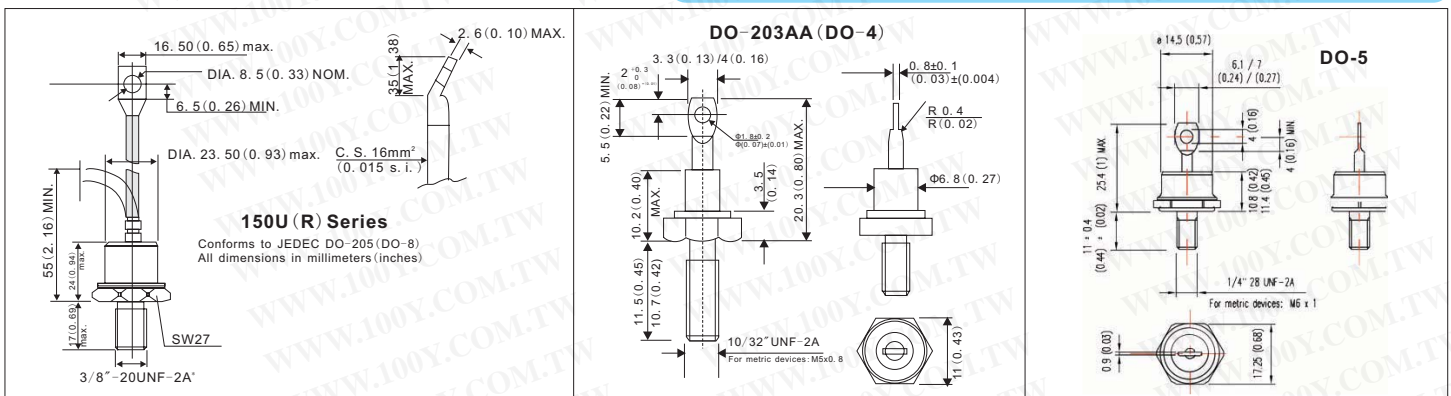
Detailed product specifications are available on: [us.100y.com.tw](http://us.100y.com.tw)



Part No.	Product No.	Manufacturer	Description	Pins/Package	IF (A)	Vrrm
8484	1N60P		Schottky barrier rectifier	DO-35	150mA	45V
42574	SS26T3	ON-Semi.	Schottky Rectifier	SMB	2A	60V

## Stud Mounting

Detailed product specifications are available on: [us.100y.com.tw](http://us.100y.com.tw)



Part No.	Product No.	Manufacturer	Description	IF (A)	Pins/Package	Vrrm
49139	150U120DL	IR	Clockwise Stud Semiconductors	150A		1200V
18415	25F120	IR	Clockwise Fast Stud Semiconductors	25A	DO-4(DO-203AA)	1200V
35695	25F120M	IR	STANDARD RECOVERY DIODE	25A	DO-203AA (DO-4)	1200V
35696	25F40	IR	STANDARD RECOVERY DIODE	25A	DO-203AA (DO-4)	400V
35697	25F60	IR	STANDARD RECOVERY DIODE	25A	DO-203AA (DO-4)	600V
35699	25F80	IR	STANDARD RECOVERY DIODE	25A	DO-203AA (DO-4)	800V
35700	25F80M	IR	STANDARD RECOVERY	25A	DO-203AA (DO-4)	800V
49323	25FR120	IR	Anti-clockwise fast stud semiconductor	25A	DO-4(DO-203AA)	1200V
35701	25FR120M	IR	STANDARD RECOVERY DIODE	25A	DO-203AA (DO-4)	1200V
35702	25FR40	IR	STANDARD RECOVERY DIODE	25A	DO-203AA (DO-4)	400V
35703	25FR80	IR	STANDARD RECOVERY DIODE	25A	DO-203AA (DO-4)	800V
35704	25FR80M	IR	STANDARD RECOVERY DIODE	25A	DO-203AA (DO-4)	800V
36051	40HF10	GOOD-ARK	POWER RECTIFIER	40A	DO-5	100V
16707	40HF120	IR	STD DIODE	40A	DO5(DO-203AB)	1200V
36050	40HF120	GOOD-ARK	POWER RECTIFIER	40A	DO-5	1200V
36048	40HF120M	GOOD-ARK	POWER RECTIFIER	40A	DO-5	1200V
35870	40HF40	GOOD-ARK	POWER RECTIFIER	40A	DO-5	400V
36047	40HF60	GOOD-ARK	POWER RECTIFIER	40A	DO-5	600V

