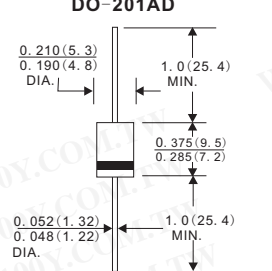


Semiconductors-Discretes

Schottky Barrier Rectifiers

Detailed product specifications are available on: us.100y.com.tw

DO-201AD

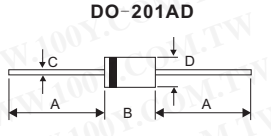


Dimensions in inches and (millimeters)

Dim	Min	Max
A	25.4	—
B	8.50	9.50
C	1.20	1.30
D	5.0	5.60

All Dimensions in mm

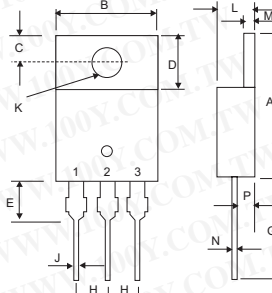
DO-201AD



Dim	Min	Max
A	25.4	—
B	8.50	9.50
C	1.20	1.30
D	5.0	5.60




All Dimensions in mm

TO-220AB

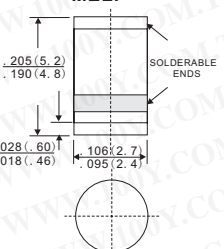


Dim	Min	Max
A	14.22	15.88
B	9.65	10.67
C	2.54	3.43
D	5.84	6.86
E	—	6.35
G	12.70	14.73
H	2.29	2.79
J	0.51	1.14
K	3.53	4.03
L	3.56	4.83
M	1.14	1.40
N	0.30	0.64
P	2.03	2.92

Unit: mm

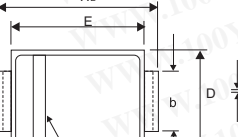
PIN 1  Case
 PIN 2 
 PIN 3 

MELF



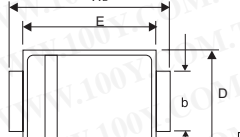
Dimensions in inches and (millimeters)

SMA CASE 403D-02 ISSUE C



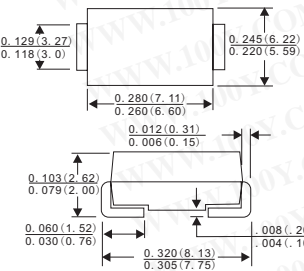
DIM	MILLIMETERS			INCHES		
	MIN	NOM	MAX	MIN	NOM	MAX
A1	0.05	0.10	0.15	0.002	0.004	0.006
b	1.27	1.45	1.63	0.050	0.057	0.064
c	0.15	0.28	0.41	0.006	0.011	0.016
d	2.29	2.60	2.92	0.090	0.103	0.115
E	4.06	4.32	4.57	0.160	0.170	0.180
He	4.83	5.21	5.59	0.190	0.205	0.220
L	0.76	1.14	1.52	0.030	0.045	0.060

SMB CASE 403A-03 ISSUE E



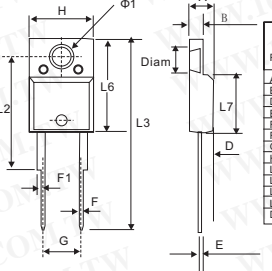
DIM	MILLIMETERS			INCHES		
	MIN	NOM	MAX	MIN	NOM	MAX
A	1.90	2.13	2.41	0.075	0.084	0.095
A1	0.05	0.10	0.15	0.002	0.004	0.006
b	1.96	2.30	2.11	0.077	0.080	0.083
c	0.15	0.23	0.30	0.006	0.009	0.012
D	3.30	3.56	3.81	0.130	0.140	0.150
E	4.06	4.32	4.57	0.160	0.170	0.180
He	5.21	5.44	5.59	0.205	0.214	0.220
L	0.76	1.02	1.27	0.030	0.040	0.050
L1	—	0.51REF	—	—	0.020 REF	—

SMC/DO-214AB



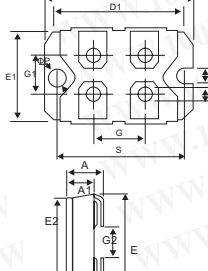
Dimensions in inches and (millimeters)

ISO220



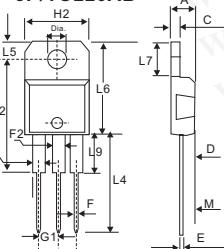
REF.	MILLIMETERS			INCHES		
	Min.	Typ.	Max.	Min.	Typ.	Max.
A	4.40	4.60	0.173	0.181	—	—
B	2.50	2.70	0.098	0.106	—	—
D	2.40	2.75	0.094	0.108	—	—
E	0.40	0.70	0.018	0.028	—	—
F	0.75	1.00	0.030	0.039	—	—
F1	1.15	1.70	0.045	0.067	—	—
G	4.95	5.20	0.195	0.205	—	—
H	10.00	10.40	0.394	0.409	—	—
L2	16.00	—	—	0.630	—	—
L3	28.60	3.60	1.125	1.205	—	—
L6	15.90	16.40	0.623	0.646	—	—
L7	9.00	9.30	0.354	0.366	—	—
Diam	3.00	3.20	0.118	0.0126	—	—

SOTOP



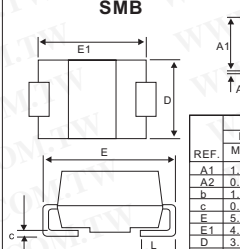
REF.	Millimeters		Inches	
	Min	Max	Min	Max
A	11.80	12.20	0.465	0.480
A1	8.90	9.10	0.350	0.358
B	7.8	8.20	0.307	0.323
C	0.75	0.85	0.030	0.033
C2	1.95	2.05	0.077	0.081
D	37.80	38.20	1.488	1.504
D1	31.50	31.70	1.240	1.248
E	25.15	25.50	0.990	1.004
E1	23.85	24.15	0.939	0.951
E2	24.80typ	—	0.976 typ	—
G	14.90	15.10	0.587	0.594
G1	12.60	12.80	0.496	0.504
G2	3.50	4.30	0.138	0.169
F	4.10	4.30	0.161	0.169
F1	4.60	5.00	0.181	0.197
P	4.00	4.30	0.157	0.69
P1	4.00	4.40	0.157	0.173
S	30.10	30.30	1.185	1.193

3P/TO220AB



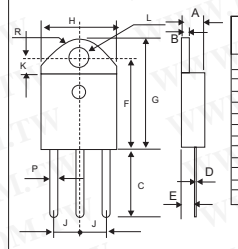
REF.	Millimeters		Inches	
	Min	Max	Min	Max
A	4.40	4.60	0.173	0.181
C	1.23	1.32	0.048	0.051
D	2.40	2.72	0.094	0.107
E	0.49	0.70	0.019	0.027
F	0.61	0.88	0.024	0.034
F1	1.14	1.70	0.044	0.068
F2	1.14	1.70	0.044	0.068
G	4.95	5.15	0.194	0.202
G1	2.40	2.70	0.094	0.106
H2	10	10.40	0.393	0.409
L2	16.4 typ	—	0.645 typ	—
L4	13	14	0.511	0.551
L5	2.65	2.95	0.104	0.116
L6	15.25	15.75	0.600	0.620
L7	6.20	6.60	0.244	0.259
L9	3.50	3.93	0.137	0.154
M	2.6 typ	—	0.102 typ	—
Diam	3.75	3.85	0.147	0.151

SMB



REF.	MILLIMETERS		INCHES	
	MIN.	MAX.	MIN.	MAX.
A1	1.30	2.45	0.075	0.086
A2	0.95	0.20	0.022	0.008
b	1.95	2.20	0.077	0.087
c	0.15	0.41	0.006	0.016
E	5.10	5.60	0.201	0.220
E1	4.05	4.60	0.159	0.181
D	3.30	3.95	0.130	0.056
L	0.75	1.60	0.030	0.063

SMB



REF.	Millimeters		Inches			
	Min	Typ	Max	Min	Typ	Max
A	4.4	4.6	0.173	0.181	—	—
B	1.45	1.55	0.057	0.061	—	—
C	14.35	15.6	0.565	0.614	—	—
D	0.5	0.7	0.020	0.028	—	—
E	2.7	2.9	0.108	0.114	—	—
F	15.8	16.5	0.622	0.650	—	—
G	20.4	21.1	0.815	0.831	—	—
H	15.1	15.5	0.594	0.610	—	—
J	5.4	5.65	0.213	0.222	—	—
K	3.4	3.6	0.134	0.144	—	—
L	4.08	4.17	0.161	0.164	—	—
P	1.20	1.40	0.047	0.055	—	—
R	4.60	—	0.181	—	—	—

Part No.	Product No.	Manufacturer	Description	Pins/Package	Vrrm	IF (A)
8483	SB340	LITE-ON	Schottky barrier rectifier	DO-201AD	40V	3A
34819	SB530	VISHAY	SCHOTTKY BARRIER RECTIFIER	DO-201AD	30V	150Amps
34820	SB540	VISHAY	SCHOTTKY BARRIER RECTIFIER	DO-201AD	40v	150Amps
12558	SB560	LITE-ON	Schottky barrier rectifier	DO-201AD	60V	5A
4053	SBL1040CT	LITE-ON	Schottky barrier rectifier	TO-220AB	40V	10A
4055	SBL2040CT	LITE-ON	Schottky barrier rectifier	TO-220AB	40V	20A
4056	SBL3040PT	LITE-ON	Schottky barrier rectifier	TO220AB	40V	30A
4057	SBL3045PT	LITE-ON	Schottky barrier rectifier	TO-220AB	45V	30A
22823	SM5819		SURFACE MOUNT SCHOTTKY BARRIER RECTIFIER	MELF	28V	25A
42571	SS16T3G	ON-Semi.	Schottky Rectifier	SMA	60V	1A
42572	SS22T3	ON-Semi.	Schottky Rectifier	SMB	40V	2A
42573	SS24T3G	ON-Semi.	Schottky Rectifier	SMB	40V	2A
42576	SS26T3		Schottky Rectifier	SMB	60V	2A
48911	SS34		3A Surface Mount Schottky Barrier Rectifiers	SMC	40V	



T E L : Taiwan : 886-3-5753170
 F A X : Taiwan : 886-3-5753172
 E-mail : Taiwan : us_sale@100y.com.tw

Shenzhen : 86-755-83298787
 Shenzhen : 86-755-83640655
 Shenzhen : 100y@163.com

Shanghai : 86-21-54151736
 Shanghai : 86-21-64605107
 Shanghai : 100y-1@163.com