

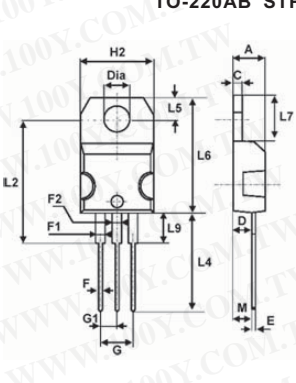
Semiconductors-Discretes

Ultrafast Recovery Diodes

Detailed product specifications are available on: us.100y.com.tw

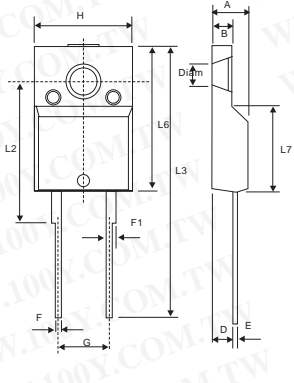
Part No.	Product No.	Manufacturer	Description	Pins/Package	Vrrm	IF (A)	Trr (nS)
34843	SBYV27-200	VISHAY	Soft Recovery Ultrafast Plastic Rectifier	DO-204AC	200V	2A	15ns
34845	SBYV27-50	VISHAY	Soft Recovery Ultrafast Plastic Rectifier	DO-204AC	50V	2A	15ns
34846	SBYV28-100	VISHAY	Soft Recovery Ultrafast Plastic Rectifier	DO-201AD	100V	3.5A	20ns
34849	SBYV28-150	VISHAY	Soft Recovery Ultrafast Plastic Rectifier	DO-201AD	150V	3.5A	20ns
34850	SBYV28-200	VISHAY	Soft Recovery Ultrafast Plastic Rectifier	DO-201AD	200V	3.5A	20ns
34851	SBYV28-50	VISHAY	Soft Recovery Ultrafast Plastic Rectifier	DO-201AD	50V	3.5A	20ns

TO-220AB STPR1620CT



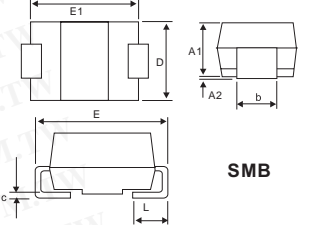
REF.	DIMENSIONS	
	Millimeters	Inches
A	4.40	4.60
B	2.50	2.70
C	1.23	1.32
D	2.40	2.72
E	0.49	0.70
F	0.61	0.88
F1	1.14	1.70
F2	1.14	1.70
G	4.95	5.15
G1	2.40	2.70
H2	10	10.40
L2	16.4	typ
L4	13	14
L5	2.65	2.95
L6	15.25	15.75
L7	6.20	6.60
L9	3.50	3.93
M	2.6	typ
Dia.	3.75	3.85

ISOWATT220AC STPR520F



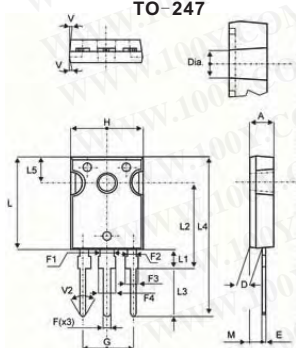
REF.	MILLIMETERS		INCHES	
	Min.	Typ.	Max.	Min. Type. Max.
A	4.40		4.60	0.173
B	2.50		2.70	0.098
D	2.40		2.75	0.094
E	0.40		0.70	0.016
F	0.75		1.00	0.030
F1	1.15		1.70	0.045
G	4.95		5.20	0.195
H	10.00		10.40	0.394
L2		16.00		0.630
L3	28.60		30.60	1.125
L6	15.90		16.40	0.626
L7	9.00		9.30	0.354
Diam	3.00		3.20	0.118

SMB



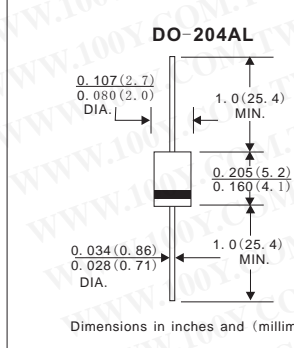
REF.	MILLIMETERS		INCHES	
	MIN.	MAX.	MIN.	MAX.
A1	1.90	2.45	0.075	0.096
A2	0.05	0.20	0.002	0.008
b	1.95	2.20	0.077	0.087
c	0.15	0.41	0.006	0.016
E	5.10	5.60	0.201	0.220
E1	4.05	4.60	0.159	0.181
D	3.30	3.95	0.130	0.056
L	0.75	1.60	0.030	0.063

TO-247



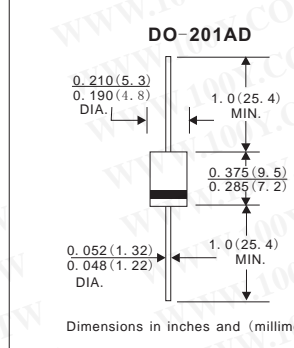
REF.	MILLIMETERS		INCHES	
	Min.	Typ.	Max.	Typ. Max.
A	4.85		5.15	0.191
D	2.20		2.60	0.086
E	0.40		0.80	0.015
F	1.00		1.40	0.039
F1	3.00			0.118
F2	2.00			0.078
F3	2.00		2.40	0.078
F4	3.00		3.40	0.118
G	10.90			0.429
H	15.45		15.75	0.608
L	19.85		20.15	0.781
L1	3.70		4.30	0.145
L2	18.50			0.728
L3	14.20		14.80	0.559
L4	34.60			1.362
L5	5.50			0.216
M	2.00		3.00	0.078
V	5°			5°
V2	60°			60°
Dia.	3.55		3.65	0.139

DO-204AL



Dimensions in inches and (millimeters)

DO-201AD



Dimensions in inches and (millimeters)

Part No.	Product No.	Manufacturer	Description	Pins/Package	Vrrm	IF (A)	Trr (nS)
41659	STPR1620CT	ST(SGS)	ULTRA-FAST RECOVERY RECTIFIER DIODES	TO-220AB	200V	16A	30nS
34063	STPR520F	ST(SGS)	ULTRA-FAST RECOVERY RECTIFIER DIODES	200V	200V	5A	30ns
37950	STTH2L06U	ST(SGS)	HIGH EFFICIENCY ULTRAFast DIODE	SMB	600V	2A	60ns
16302	STTH3003CW	ST(SGS)	HIGH FREQUENCY SECONDARY RECTIFIER	3P/TO-247	300V	2*15A	40nS
32894	UF4001	VISHAY	ULTRAFast EFFICIENT PLASTIC RECTIFIER	DO-204AL	50V	1.0A	50nS
32893	UF4002	VISHAY	ULTRAFast EFFICIENT PLASTIC RECTIFIER	DO-204AL	100V	1.0A	50nS
32892	UF4003	VISHAY	ULTRAFast EFFICIENT PLASTIC RECTIFIER	DO-204AL	200V	1.0A	50nS
32890	UF4004	VISHAY	ULTRAFast EFFICIENT PLASTIC RECTIFIER	DO-204AL	400V	1.0A	50nS
32889	UF4006	VISHAY	ULTRAFast EFFICIENT PLASTIC RECTIFIER	DO-204AL	800V	1.0A	75nS
36458	UF4006		ULTRAFast EFFICIENT PLASTIC RECTIFIER	DO-204AL	800V	1.0A	75nS
32887	UF4007	VISHAY	ULTRAFast EFFICIENT PLASTIC RECTIFIER	DO-204AL	1000V	1.0A	75nS
32884	UF5400	VISHAY	ULTRAFast EFFICIENT PLASTIC RECTIFIER	DO-201AD	50V	3.0A	50nS
32883	UF5401	VISHAY	ULTRAFast EFFICIENT PLASTIC RECTIFIER	DO-201AD	100V	3.0A	50nS
32882	UF5402	VISHAY	ULTRAFast EFFICIENT PLASTIC RECTIFIER	DO-201AD	200V	3.0A	50nS
32880	UF5404	VISHAY	ULTRAFast EFFICIENT PLASTIC RECTIFIER	DO-201AD	400V	3.0A	50nS
32873	UF5406	VISHAY	ULTRAFast EFFICIENT PLASTIC RECTIFIER	DO-201AD	600V	3.0A	75nS
32871	UF5408	VISHAY	ULTRAFast EFFICIENT PLASTIC RECTIFIER	DO-201AD	1000V	3.0A	75nS

- We provide a wide range of products to development and maintenance engineers in all type of business
- If you cannot find the components you want on the catalogue, please call us.

Taiwan: 886-3-5753170
 Shanghai: 021-54151736 Shenzhen: 0755-83298787

Centenary Materials
 Waiting for your phone call



T E L : Taiwan: 886-3-5753170
 F A X : Taiwan: 886-3-5753172
 E-mail : Taiwan: us_sale@100y.com.tw

Shenzhen: 86-755-83298787
 Shenzhen: 86-755-83640655
 Shenzhen: 100y@163.com

Shanghai: 86-21-54151736
 Shanghai: 86-21-64605107
 Shanghai: 100y-1@163.com