

# Semiconductors-Discretes

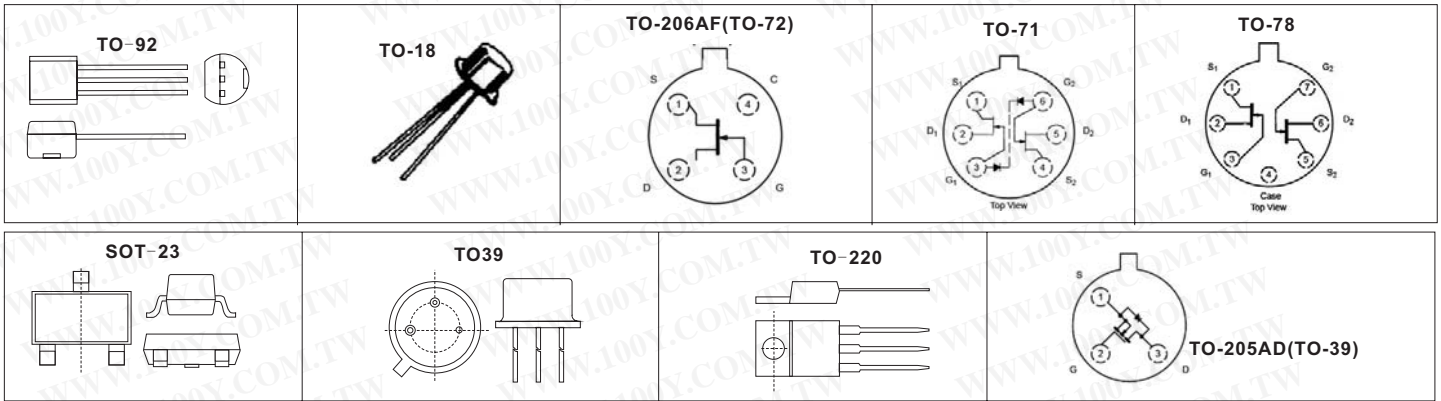
## Other Series Transistors

Detailed product specifications are available on: [us.100y.com.tw](http://us.100y.com.tw)

Part No.	Product No.	Manufacturer	Description	Pol	Ic(max)	Pc(max)	Vceo(max)	hfe(min.-max.)	Pins/Package	Marking
35923	TD62593AP	TOSHIBA	8CH single driver	NPN	0.2A	0.52W	50V	50-70	18P/DIP	
15647	UN4211	Panasonic	Silicon NPN epitaxial planer transistor	NPN	100mA	300mW	50V	35min	3P/TO-92S	
27417	UPA1520H	NEC	Compound Field Effect Power Transistor	NPN					10P/ SIP	
41684	UPA672T	NEC	Compound Field Effect Power Transistor						6PIN	MA
41524	UTC431	UTC	Linear integrated circuit	LINEAR	0.1A	3.6W	36V		DIP-3P/TO-92	
22821	UTC8050SL	UTC	TO-92 Plastic-Encapsulate Transistors	NPN	1.5A	1W	25V	160-300	3P/TO-92	

## J-FET/MOSFET Transistors 2N~ Series J-FET Transistors

Detailed product specifications are available on: [us.100y.com.tw](http://us.100y.com.tw)



Part No.	Product No.	Manufacturer	Description	N/P Ch.	Pins/Package	Pd(max)	Vdss	Vgss	Id(max)	Rds(on)(max.) Ω
35772	2N3819	VISHAY	N-Channel JFET	N	TO-226AA(TO-92)			-35	10mA	150Ω
35773	2N3820	Fairchild	P-Channel General Purpose Amplifier	P	TO-92	0.35W	20V	20V	-15mA	
34623	2N4092		N-CHANNEL J-FET Qualified per MIL-PRF-19500/431	N	TO-18 (TO-206AA)	0.36W	40V	-40V	15mA	50Ω
42904	2N4339	VISHAY	N-Channel JFETs	N	TO-206AA (TO-18)			-50V	1.5mA	1700Ω
43742	2N4416	VISHAY	N-Channel JFETs	N	TO-206AF(TO-72)	300mW		-30V	15mA	150 Ω
43318	2N4858	MOTOROLA	JFET SWITCHING	N-Ch.	TO-18(TO-206AA)	360mW	40V		50mA	
43819	2N4861	Micro-semi								
43821	2N5196	VISHAY	Monolithic N-Channel JFET Duals	N	TO-71	500mW		-50V	50mA	
43820	2N5199	VISHAY	Monolithic N-Channel JFET Duals	N	TO-71	500mW		-50V	50mA	
39443	2N5457	Fairchild	N-Channel General Purpose Amplifier	N	TO-92					
35784	2N5459	Fairchild								
35786	2N5461	ON-Semi.	JFET Amplifier	P	TO-92 (TO-226AA)	0.35W	40V	40V	-9.0mA	
35790	2N5486	ON-Semi.	JFET VHF/UHF Amplifier	N	TO-92 (TO-226AA)	0.35W	25V	-25V	30mA	
42883	2N5912	VISHAY	Matched N-Channel JFET Pairs	N	TO-78	500 Mw		-25V	40mA	
40528	2N6660	MOTOROLA	T MOS SWITCHING FET TRANSISTORS	N	TO-205AD(TO-39)	6.25W	60V		2A	
35812	2N6660	VISHAY	N-Channel 60-V (D-S) Single and Quad MOSFET	N	TO-205AD(TO-39)	6.25W	60V		1.1A	1.3Ω
35813	2N6782	SEME LAB	N-channel power mosfet	N	TO-39	15W	100V	100V	3.5A	0.6 Ω
43929	2N6786	SEME LAB	N-Channel MOSFET	N	TO-39(TO205AF)	15W	400V		1.25A	3.6 Ω
43940	2N6790	Fairchild	N-Channel Power MOSFET	N	TO-205AF	20W	200V	20V	3.5A	0.800 Ω
43942	2N6794	SEME LAB		N	TO-39	20W	500V	20V	1.5A	3.0 Ω
43937	2N6796	Fairchild	N-Channel Power MOSFET	N	TO-205AF	25W	100V	20V	8A	0.180 Ω
43943	2N6798	SEME LAB	N-channel enhancement mode transistor	N	TO-39	25W	200V	20V	5.5A	0.4 Ω
43945	2N6800	SEME LAB		N	TO-39	25W	400V	20V	3.0A	1.0 Ω
35814	2N6845	IR	Power mosfet p-channel	P	TO-205AF (Modified TO-39)	20W	-100V		-4.0A	0.60Ω
40672	2N6849	HARRIS	P-channel power mosfet	P	TO-39	25W	-100V	20V	-6.5A	0.30Ω
35815	2N6849	SEME LAB	P-channel power mosfet	P	TO-39	25W	-100V	20V	-6.5A	0.30Ω
29231	2N7000	Fairchild	N-Channel Enhancement Mode Field Effect Transistor	N	3P/TO-92	400mW	60V	60V	200mA	
4889	2N7000	MOTOROLA	N-Channel Enhancement Mode Field Effect Transistor	N	3P/TO-92	400mW	60V	60V	200mA	
46500	2N7002A-RTK/P	KEC	N Channel Enhancement Mode Field Effect Transistor	N	3P/SOT-23	200	60	±20	115	2
29511	2N7002E	PHILIPS	PHILIPS_2N~ Series J-FET Transistors	N	SOT23	0.83W	60V		0.385A	3Ω
46382	2N7002E-T1-E3	VISHAY	N-Channel 60-V MOSFET	N	SOT-23(TO-236)	0.35W	60V	10V	240mA	3Ω
29512	2N7002F	PHILIPS	PHILIPS_2N~ Series J-FET Transistors	N	SOT23	0.83W	60V		475mA	2Ω
29514	2N7002K	PHILIPS	PHILIPS_2N~ Series J-FET Transistors	N	SOT23	0.83W	60 V	22V	0.34A	3.9 Ω
11972	2N7002LT1G	ON-Semi.	N-Channel Enhancement Mode Field Effect Transistor	N	3P/SOT-23	200mW	60V	60Vdss	115mA	7.5
23221	H2N7000	HSMC	N-Ch. Enhancement Mode Field Effect Transistor	N-Ch.	3P/TO-92	400mW	60V	40V	200mA	5Ω
36451	IRF840PBF	IR	N-Channel Power MOSFET	N-Ch.	3P/TO-220AB	8A	125W	500V	0.85Ω	
8236	MPF102	MOTOROLA	JFET VHF Amplifier N-Channel-Depletion	N-Ch.	3P/TO-92	350mW	25V	-25V	20mA	
29050	MPF102	Fairchild	N-Channel RF Amplifier	N	3P/TO-92	350mW	25V	-25V	20mA	
34445	PMBF4393	PHILIPS	N-channel FETs	N-channel	SOT23	250mW	20V	40V	12mA	0.4V
34450	PMBFJ177	PHILIPS	P-channel silicon field-effect transistors	P-channel	SOT23	300 mW	15 V	30 V	10 nA;	300 W
35247	SI2302DS	PHILIPS	N-channel enhancement mode field-effect transistor	N-channel	SOT23	0.83 W	20V	4.5V	2.5A	

