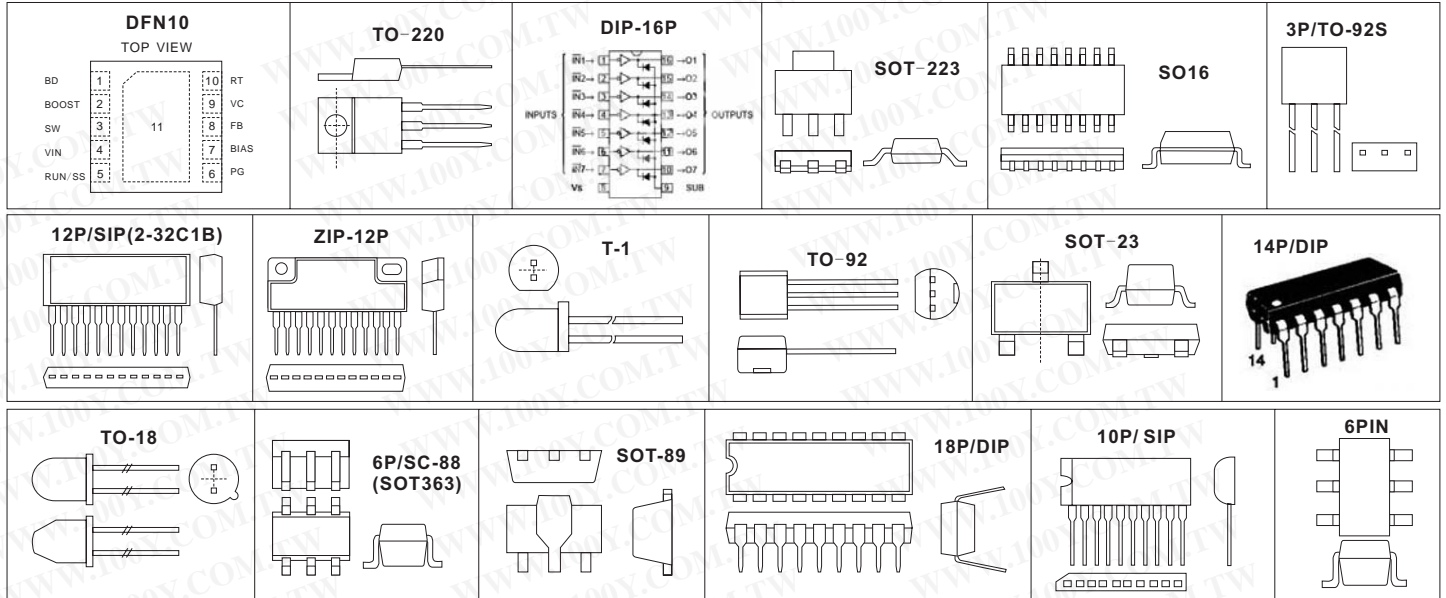


Semiconductors-Discretes

Other Series Transistors

Detailed product specifications are available on: us.100y.com.tw



Part No.	Product No.	Manufacturer	Description	Pol	Ic(max)	Pc(max)	Vceo(max)	hfe(min.-max.)	Pins/Package	Marking
47604	LT3481IDD	Linear-Tech.	Switching Regulator with 50µA Quiescent Current		2A		36V		DFN10	
48727	M12JZ47	TOSHIBA	Toshiba bi?directional triode thyristor		12A	5W	400V		TO-220	
48788	M54561P	mitsubishi	7-unit 300ma source type darlington transistor array with clamp diode	PNP/NPN		1.47W	40V		DIP-16P	
31904	MMJT9435	MOTOROLA	Bipolar power transistors		5A		30V	125-140	SOT-223	
32414	MMPQ3725	MOTOROLA	Quad Core Driver Transistor		1.0 Adc		40 Vdc	35 to 200	SO-16	
40350	MP4304	TOSHIBA	Power Transistor Module Silicon NPN Epitaxial Type (high gain power transistor 4 in 1)	NPN	3A	2.2W	80V		12P/SIP(2-32C1B)	
47589	MP4502	TOSHIBA	Silicon NPN Epitaxial Type	NPN	3A	3W	100V	2000-15000	ZIP-12P	
32594	MPQ3725	MOTOROLA	Quad amplifier switching transistor	NPN					14P/DIP	
27005	MPQ3904		Quad amplifier switching transistor	PNP					14P/DIP	
25775	MPQ3906		Quad amplifier switching transistor	PNP	-200mA	500mW	-40V	40-160	14P/DIP	
35808	MPS5172	SAMSUNG	NPN (amplifier transistor)	NPN	0.1A	0.625W	25V	100-500	TO-92	
47927	NDS0605	Fairchild	P-Channel Enhancement Mode Field Effect Transistor	P	-60V	0.36W			3P/SOT-23	65D
36289	OP505A	OPTEK	NPN silicon phototransistors	NPN	0.1mA	100mW	30V		T-1	
36290	OP505B	OPTEK	NPN silicon phototransistors	NPN	0.1mA	100mW	30V		T-1	
36291	OP505C	OPTEK	NPN silicon phototransistors	NPN	0.1mA	100mW	30V		T-1	
36292	OP505D	OPTEK	NPN silicon phototransistors	NPN	0.1mA	100mW	30V		T-1	
40931	OP506B	OPTEK	NPN silicon phototransistors	NPN	5.95mA	100mW	30V		T-1	
33487	OP593B	OPTEK	NPN Plastic Silion Phototransistors	NPN	4mA	0.25W	30V		TO-18	
33489	OP598B	OPTEK	NPN Plastic Silion Phototransistors	NPN	10mA	0.25W	30Vceo		TO-18	
33616	OP802WSL	OPTEK	NPN silicon phototransistors	NPN	3mA		30V		TO-18	
17960	PH2369	PHILIPS	NPN Switching Transistor	NPN	0.2A	0.5W	15V	40-120	TO-92	
22805	PMBT2907A	PHILIPS	PNP switching transistors	PNP	-600mA	250mW	-60V	50	3P/SOT-23	p2F
22806	PMBT3904	PHILIPS	NPN switching transistor	NPN	100mA	250mW	40V	100-300	3P/SOT-23	*1A
22807	PMBT3906	PHILIPS	PNP switching transistor	PNP	-100mA	250mW	-40V	100-300	3P/SOT-23	p2A
48771	PMBTA42	PHILIPS	NPN high-voltage transistor		100mA	250mW	300V	100-300	3/SMD	
46473	PUMT1	PHILIPS	PNP general purpose double transistor	PNP	-100mA	200mW	-40V	120	6P/SC-88(SOT363)	FiF
46474	PUMX1	PHILIPS	NPN general purpose double transistor	NPN	100mA	200mW	40V	120	6P/SC-88	ZiZ
22809	PXTA14	PHILIPS	NPN Darlington transistor	NPN	500mA	1.3W	30V	20000	3P/SOT-89	High input impedance preamplifiers
34545	PZT2907A	PHILIPS	PNP switching transistor	PNP	-600mA	1.15W	-60V	100-300	SOT223	MAM288
47054	PZT3904	Fairchild	NPN General Purpose Amplifier	NPN	200mA	1000mW	40V	100-300	SOT-223	1A
47055	PZT3906	Fairchild	PNP General Purpose Amplifier	PNP	200mA	1000mW	40V	100-300	SOT-223	2A
47687	SBP13005		High Voltage Fast-Switching NPN Power Transistor		4A	75W	400V	10-40	3P/TO-220	
22824	SMBT2222A	Infineon	NPN Silicon Switching Transistor	NPN	600mA	330mW	40V	35-300	3P/SOT-23	Low collector-emitter saturation voltage
35924	TD62385AP	TOSHIBA	8ch low input active darlington sink driver	NPN	0.5A	1.47W	35V		18P/DIP	

