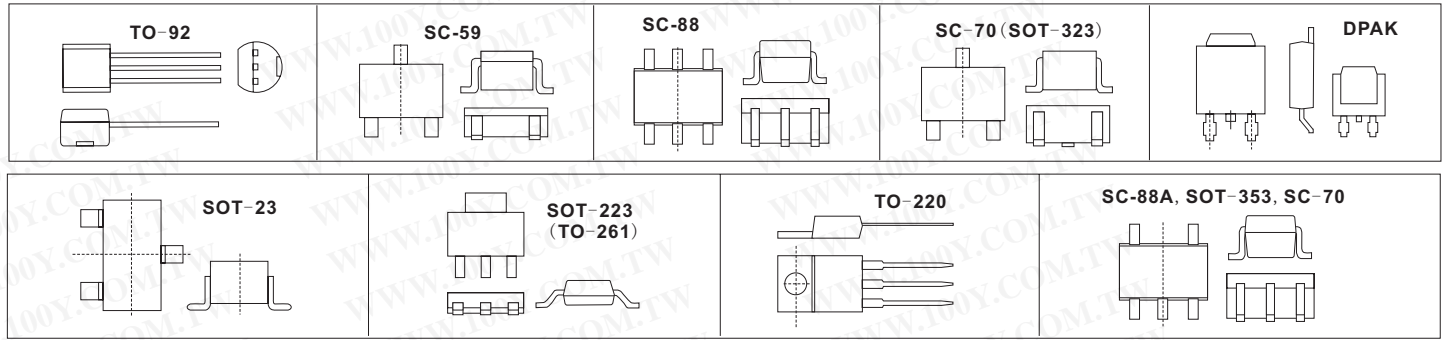


Semiconductors-Discretetes

SMD Transistors

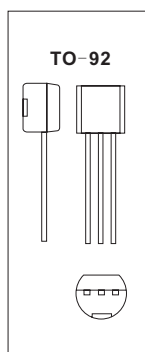
Detailed product specifications are available on: us.100y.com.tw



Part No.	Product No.	Manufacturer	Description	PoI	Ic(max)	Pd(max)	Vceo(max)	hfe(min.-max.)	Pins/Package	Marking
42306	MPS2907A	ON-Semi.	Small Signal General Purpose	PNP	0.6A	1.5W	60V	100~300	TO-92	
42308	MPS2907ARLRP	ON-Semi.	Small Signal General Purpose	PNP	0.6A	1.5W	60V	100~300	TO-92	
42317	MPS5899RLRAG	ON-Semi.	Amplifier Transistors	PNP	0.5A	0.625W	80V		TO-92	
42310	MPS651RLRMG	ON-Semi.	Small Signal High Current	NPN	2A	0.625W	60V		TO-92	
42312	MPS6724RLRA	ON-Semi.	Small Signal Darlington	NPN	0.1A		40V	4~40	TO-92	
42313	MPS751RLRP	ON-Semi.	Small Signal General Purpose	PNP	2A	0.625W	60V		TO-92	
42315	MPS8598RLRA	ON-Semi.	Amplifier Transistors	PNP	0.5A	0.625W	60V		TO-92	
42323	MPSA44RLRAG	ON-Semi.	High Voltage Transistor	NPN	0.3A		100V		TO-92	
42329	MSB709-RT1G	ON-Semi.	Small Signal	PNP	0.1A	0.2W	45V		SC-59	
42331	MUN2212T1G	ON-Semi.	Bias Resistor Transistor	NPN	0.1A		50V		SC-59	
42333	MUN2215T1	ON-Semi.	Bias Resistor Transistor	NPN	0.1A		50V		SC-59	
42334	MUN2237T1	ON-Semi.	Small Signal Bias Resistor Transistor	NPN	0.1A		50V		SC-59	
42335	MUN2240T1	ON-Semi.	Small Signal Bias Resistor Transistor	NPN	0.1A		50V		SC59	
42340	MUN5211DW1T1	ON-Semi.	Small Signal Bias Resistor Transistor	NPN	0.1A		50V		SC88	
42341	MUN5211T1G	ON-Semi.	Silicon Surface Mount Transistor	NPN	0.1A		50V		SC-70	
42342	MUN5213DW1T1G	ON-Semi.	Bias Resistor Transistor	NPN	0.1A		50V		SC88	
42344	MUN5215DW1T1	ON-Semi.	Small Signal Bias Resistor Transistor	NPN	0.1A		50V		SC-88	
42346	MUN5216DW1T1G	ON-Semi.	Bias Resistor Transistor	NPN	0.1A		50V		SC-88	
42438	NJD2873T4G	ON-Semi.	Bipolar Power DPAK NPN 2A 50V	NPN	2A	12.5W	50V	120~360	DPAK	
39692	PMBS3904	PHILIPS	NPN general purpose transistor	NPN	100mA	250mW	40V	30~300	SOT-23	*04
34540	PZT2222A	PHILIPS	NPN switching transistor	NPN	600mA	1.15W	40V	100~300	SOT223	
42554	PZT2222AT1G	ON-Semi.	Small Signal Switch	NPN	0.6A	1.5W	-40V	100~300	SOT-223	
34546	PZTA42	Infineon	NPN Silicon High Voltage Transistor	NPN	500Ma	1.5W	300V	40V	SOT223	PZTA 42
42561	PZTA42T1	ON-Semi.	Small Signal High-Voltage	NPN	0.5A	1.5W	300V		SOT-223	
48629	RN1414	TOSHIBA	TOSHIBA Transistor Silicon NPN Epitaxial Type	NPN	100m A	200mW	50V		SOT-23	
35182	SMBT2907A	Infineon	PNP Silicon Switching Transistor	NPN	600mA	330mW	60V		3P/SOT-23	s2F
32094	SMBTA42	Infineon	NPN Silicon Transistor for High Voltage	PNP	500mA	360mW	300V	25-	3P/SOT-23	s1D
35180	SMBTA42	Infineon	NPN Silicon Transistor for High Voltages	PNP	500mA	360mW	300V	25-	3P/SOT-23	s1D
31892	SMBTA92	SIEMENS	PNP Silicon High Voltage Transistor	PNP	500mA	360mW	300V	25-	3P/SOT-23	s2D
31827	SMBTA92	Infineon	PNP Silicon High Voltage Transistor	PNP	500mA	360mW	300V	25-	3P/SOT-23	s2D
42577	TIP122	ON-Semi.	Bipolar Power	NPN	5A		100V		TO220	
15690	TS9013C	TOSHIBA	1W output amplifier	NPN	0.5A	625mW	20V	60~200	3P/SOT-23	1PN
42639	UMC3NT1G	ON-Semi.	Dual Bias Resistor Transistors	Complementary NPN & PNP	0.1A		50V		SC-88A(SOT353)	

ZTX~Series Transistors

Detailed product specifications are available on: us.100y.com.tw



Part No.	Product No.	Manufacturer	Description	PoI	Ic(max)	Pd(max)	Vceo(max)	hfe(min.-max.)	Pins/Package
32413	BC516	Fairchild	PNP Darlington Transistors	PNP	1A	625mW	30V	30K	TO-92
32499	ZTX450	ZETEX	NPN silicon planar medium power transistors	NPN	1A	1W	45V		3P/TO-92
32497	ZTX451	ZETEX	NPN silicon planar medium power transistors	NPN	1A	1W	60V		3P/TO-92
32495	ZTX453	ZETEX	NPN silicon planar medium power transistors		1A	1W	100V		3P/TO-92
32494	ZTX550	ZETEX	PNP silicon planar medium power transistors	PNP	-1A	1W	-45V		3P/TO-92
32492	ZTX551	ZETEX	PNP silicon planar medium power transistors	PNP	-1A	1W	-60V		3P/TO-92
32491	ZTX600	ZETEX	NPN silicon planar medium power darlington transistors	NPN	1A	1W	140V		3P/TO-92
14398	ZTX601B		NPN Dalington Transistors(NPN silicon planar medium power darlington transistor)	NPN	1A	1W	160V	2K-100K	3P/TO-92
14975	ZTX605		NPN silicon planar medium power darlington transistor	NPN	1A	1W	120V	2K-100K	3P/TO-92
49744	ZTX649	ZETEX	ZETEX_TO-92		2A		25V		TO-92
32490	ZTX651	ZETEX	NPN silicon planar medium power transistors	NPN	2A	1W	60V		3P/TO-92

