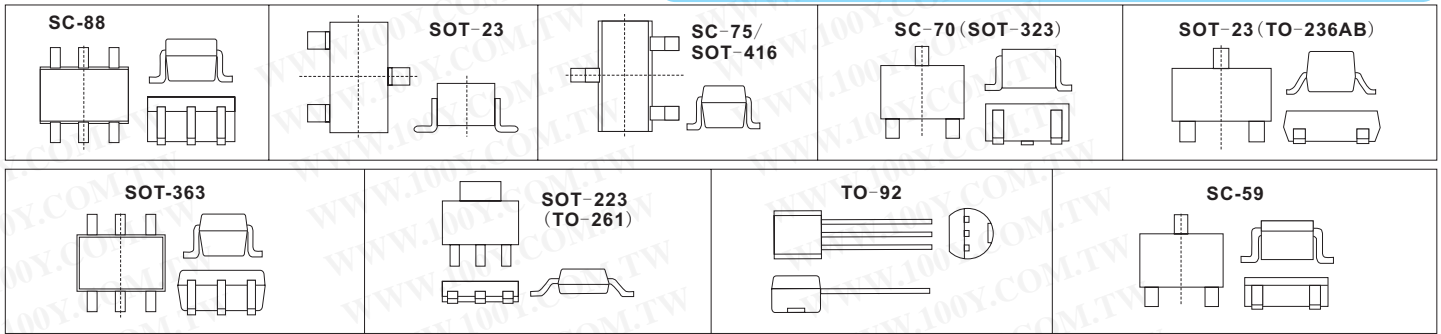


Semiconductors-Discretes

SMD Transistors

Detailed product specifications are available on: us.100y.com.tw



Part No.	Product No.	Manufacturer	Description	Pol	Ic(max)	Pd(max)	Vceo(max)	hfe(min.-max.)	Pins/Package	Marking
41970	MBT2222AW1T1G	ON-Semi.	General Purpose Transistor	NPN	0.6A	0.15mW	40V	100-300	SC-88	
41972	MBT3906DW1T1	ON-Semi.	Dual General Purpose Transistor	PNP				100-300	SC-88	
41974	MBT3906DW1T1G	ON-Semi.	Dual General Purpose Transistor	PNP		0.15mW		100-300	SC-88	
41975	MBT3949DW1T1	ON-Semi.	Dual General Purpose Transistor		0.2A		40V	100-300		
19521	MMBT1015L-AE3-R	UTC	Low frequency npn amplifier transistor	PNP	-150mA	-250mW	-50V	200-400	SOT-23	A4GL
40428	MMBT1015L-AE3-R	UTC	Low frequency npn amplifier transistor	PNP	-150mA	-250mW	-50V	200-400	SOT-23	A4GL
19525	MMBT1815-GR	UTC	Audio frequency amplifier high frequency osc npn transistor	NPN	150mA	250mW	50V	200-400	SOT-23	C4
3750	MMBT2222ALT1G	MOTOROLA	General Pupose Amplier transistor	NPN	1A	350mW	40V	35-300	3P/SOT-23	1P
42208	MMBT2222ATT1	ON-Semi.	General Purpose Transistor	NPN	0.4A	0.15W	40V	100-300	SC-75	
42210	MMBT2222AWT1	ON-Semi.	General Purpose Transistor	NPN	0.6A	0.15W	40V	100-300	SC-70	
42212	MMBT2369LT1	ON-Semi.	Switching Transistor	NPN	0.2A		15V		SOT-23	
5740	MMBT2907A	SAMSUNG	High Speed Switch(PNP General Purpose Amplifier)	PNP	-600mA	0.4W	-60V	100-300	3P/SOT-23	M2B
42767	MMBT2907ALT1	ON-Semi.	General Purpose Transistors		-600mAdc	225mW	-60Vdc		SOT?23	2F M
42213	MMBT2907AWT1	ON-Semi.	Small Signal General Purpose	PNP	-0.6A		-60V		SC-70	
30162	MMBT3904	PHILIPS	PHILIPS_NPN Switching Transistor	NPN	200mA	350mW	40V	100-300	3P/SOT-23	7A*
42214	MMBT3904LT1	ON-Semi.	General Purpose Transistor	NPN	0.2A		40V	100-300	SOT-23	
42215	MMBT3904LT1G	ON-Semi.	General Purpose Transistor	NPN	0.2A		40V	100-300	SOT-23	
41755	MMBT3904LT3G	ON-Semi.	NPN general purpose transistor	NPN	50nA	225w	40Vdc		SOT-23	
39054	MMBT3904TT1G	ON-Semi.	NPN general purpose transistor	NPN	50nA	225w	40Vdc		SOT-416	AM
5737	MMBT3906LT1	ON-Semi.	PNP General Purpose Amplifier	PNP	-0.2A	625mW	-40V	100-300	3P/SOT-23	2A
42218	MMBT3906LT1G	ON-Semi.	General Purpose Transistor	PNP	0.2A		40V	100-300	SOT-23	
5812	MMBT4401LT1	MOTOROLA	General Pupose Amplier Transistor.	NPN	1A	350mW	40V	40-300	3P/SOT-23	2X
5801	MMBT4403	ON-Semi.	General Pupose Amplier.(PNP small signal surface mount transistor)	PNP	600mA	625mW	40V	100-300	3P/SOT-23	2T
42219	MMBT5089LT1	ON-Semi.	Small Signal Low Noise Transistor	NPN	0.05A	0.225W	25V	400-1200	SOT-23	
15971	MMBT5401LT1	ON-Semi.	High Voltage Transistor	PNP	-500mA	225mW	-150V	50-200	3P/SOT-23 (TO-236AF)	2L
15974	MMBT5401LT1	ON-Semi.	High Voltage Transistor(PNP small signal surface mount transistor.)	PNP	-500mA	225mW	-150V	50-200	3P/SOT-23 (TO-236AF)	2L
42220	MMBT5550LT1	ON-Semi.	Small Signal High Voltage Transistor	NPN	0.6A	0.225W	140V	60-250	SOT-23	
42221	MMBT5550LT1G	ON-Semi.	Small Signal High Voltage Transistor	NPN	0.6A	0.225W	140V	60-250	SOT-23	
42223	MMBT589LT1G	ON-Semi.	Small Signal Switching Transistor	PNP	1A	0.31W	30V	100-300	SOT-23	
42224	MMBT6427LT1	ON-Semi.	Small Signal Darlington	NPN	0.5A	0.225W	40V	20-200	SOT-23	
42225	MMBT6427LT1G	ON-Semi.	Small Signal Darlington	NPN	0.5A	0.225W	40V	20-200	SOT-23	
42226	MMBT6429LT1G	ON-Semi.	Small Signal NPN General Purpose Transistor(NPN	0.2A	0.225W	45V	500-1250	SOT-23	
42227	MMBT6517LT1G	ON-Semi.	Small Signal High Voltage Transistor	NPN	0.5A	0.225W	350V	30-200	SOT-23	
30137	MMBT918LT1	ON-Semi.	VHF/UHF Transistor(NPN Silicon)	NPN	50mA	225mW	15V	20min	3P/SOT-23	M3B
42228	MMBT918LT1	ON-Semi.	Small Signal	NPN	0.05A	0.225W	15V		SOT-23	
49671	MMBTA13	Fairchild	FSC_SOT-23NPN Darlington Transistor		1.2A	350mW2.8mW/°C	1.5V		SOT-23	1M
15976	MMBTA42	ON-Semi.	High Voltage Transistor(NPN small signal surface mount t transistor)	NPN	500mA	225mW	200V	25-40	3P/SOT-23	1D
15975	MMBTA42LT1	ON-Semi.	High Voltage Transistor	NPN	500mA	225mW	200V	25-40	3P/SOT-23 (TO-236)	1D
42229	MMBTA55LT1	ON-Semi.	Small Signal Driver	PNP	0.5A	0.225W	60V		SOT-23	
42230	MMBTA56LT1G	ON-Semi.	Small Signal Driver	PNP	0.5A	0.225W	80V		SOT-23	
42231	MMBV109LT1	ON-Semi.	Silicon Epicap Diodes		0.2A		30V		SOT23	
40215	MMDT2907		Switching Transistor		600A	200W	-60V		SOT-363	
42257	MMJT9435T1	ON-Semi.	Bipolar Power Transistor	PNP	3A	3W	30V		SOT-223	
41654	MMUN2111LT1	ON-Semi.	PNP Silicon Surface Mount Transistorswith Monolithic Bias Resistor Network		100mA	400mW	50v		SOT-23	A6A
42297	MMUN2111LT1G	ON-Semi.	Bias Resistor Transistors	PNP	100mA	0.5W	50V		SOT-23	
42298	MMUN2116LT1	ON-Semi.	PNP Silicon Surface Mount Transistors	PNP					SOT-23	
42300	MMUN2212LT1G	ON-Semi.	Silicon Surface Mount Transistor	NPN	100mA		50V		SOT-23	
42302	MMUN2215LT1	ON-Semi.	Silicon Surface Mount Transistor	NPN	100mA		50V		SOT-23	
42304	MMUN2232LT1	ON-Semi.	NPN Silicon Surface Mount Transistor	NPN					SOT-23	
42305	MPS2222ARLRA	ON-Semi.	Small Signal General Purpose	NPN	0.6A	0.625W	40V	100-300	TO-92	

