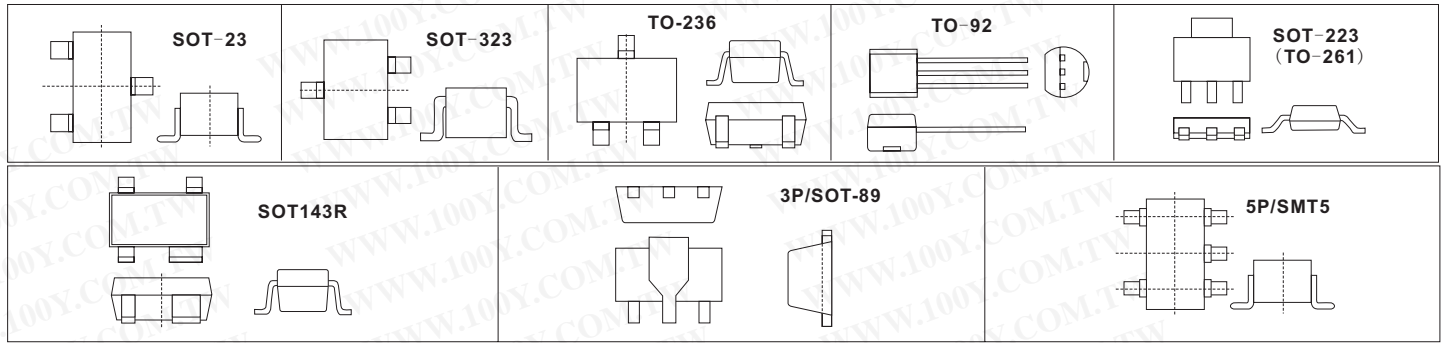


Semiconductors-Discretes

SMD Transistors

Detailed product specifications are available on: us.100y.com.tw

Part No.	Product No.	Manufacturer	Description	Pol	Ic(max)	Pd(max)	Vceo(max)	hfe(min.-max.)	Pins/Package	Marking
45373	2SC3356-R24	NEC	Silicon epitaxial transistor(For amplify low noise and high frequency)	NPN	100mA	200mW	12V	80-160	3P/SOT-23	R24
16166	2SC3356-R24	NEC	Silicon epitaxial transistor(For amplify low noise and high frequency)	NPN	100mA	200mW	12V	80-160	3P/SOT-23	R24
5881	2SC4081		GA(general purpose transistor)	NPN	0.1A	0.2W	40V		3P/SOT-323	BR
6324	2SC4099		HF A(SMD transistor)	NPN	0.02A	0.15W	20V	39-180	3P/SOT-23	NP
43084	AO3401		P-Channel Enhancement Mode Field Effect Transistor	P	2.2A	1.4W	30V		TO-236	A0
43085	AO3402		N-Channel Enhancement Mode Field Effect Transistor	N	4A	1.4W	30V			
32407	BC639	PHILIPS	NPN medium power transistors		1A	0.83W	80V	25-250	TO-92	
15164	BC807-25	PHILIPS	PNP Silicon AF Transistors	PNP	-0.5A	-250mW	-45V	160-400	3P/SOT-23	5B*
32426	BC808-16	Infineon	PNP Silicon AF Transistors	PNP	500mA		25	40	SOT-23	5Es
41833	BC808-25LT1G	ON-Semi.	General PurposeTransistors	PNP	-500mA	225mW	-25V	160-400	SOT-23	5FM
6537	BC817	PHILIPS	General Purpose(NPN Epitaxial Silicon Transistor)	NPN	0.1A	310mW	45V	100-600	3P/SOT-23	6Dp
15128	BC817-25	Infineon	NPN Silicon AF Transistors(surface mount schottky barrier switching diode.)	NPN	500mA	250mW	45V	160-400	3P/SOT23	6B
32428	BC81716	ZETEX	SOT23 NPN SILICON PLANAR	NPN	0.5A		45v	100-250	SOT23	6AZ
32429	BC818-16	Infineon	NPN Silicon AF Transistors	NPN	500mA		25V	100-250	SOT23	6As
6534	BC848C	WEITRON	General Purpose(NPN surface mount small signal transistor)	NPN	0.1A	250mW	30V	420-800	3P/SOT-23	1L
25776	BC856B	WEITRON	General Purpose(PNP surface mount small signal transistor)	PNP	100mA	225mW	-65V	220-475	3P/SOT-23	3B
6533	BC858B	WEITRON	General Purpose(PNP surface mount small signal transistor)	PNP	0.1A	0.25W	-30V	220-475	3P/SOT-23	3K
41845	BCP56-16T1	ON-Semi.	SiliconEpitaxial Transistor	NPN	1A	1.5W	8V	100-250	SOT-223	
41846	BCP56-16T1G	ON-Semi.	NPN SiliconEpitaxial Transistor	NPN	1A	0.225W	8V	100-250	SOT-223	
41848	BCP69T1	ON-Semi.	PNP SiliconEpitaxial Transistor	PNP	1A	1.5w	20v	85-375	SOT-223	
41849	BCP69T1G	ON-Semi.	PNP SiliconEpitaxial Transistor	PNP	1A	1.5W	20V	85-375	SOT-223	
27785	BCV47	PHILIPS	Silicon NPN Darlington Transistor	NPN	0.5A	350mW	60V	2000-10000	SOT-23	FG*
25783	BCV47	SIEMENS	Silicon NPN Darlington Transistor	NPN	0.5A	350mW	60V	2000-10000	SOT-23	FGs
41794	BF904R	PHILIPS	N-channel dual gate MOS-FETs		30MA	200MW	7V	22-30MS	SOT143R	
39685	BFR92A	PHILIPS	NPN 5 GHz wideband transistor	NPN	25mA	300mA	15V	40nA	SOT-23	P2p
39527	BFR93AW	PHILIPS	NPN 5 GHz wideband transistor	NPN	35mA	300mW	12V		SOT-323	
39684	BFT92	PHILIPS	PNP 5 GHz wideband transistor	PNP	-25mA	300mW	-15V		3P/SOT23	W1p
43815	BSR18A	Fairchild	PNP General Purpose Amplifier	PNP	200MA	350MW	40V	100-400	SOT23	T92
22500	BST50	PHILIPS	NPN Darlington transistors	NPN	0.5A	1.35W	60V	2000	3P/SOT-89	AS1
16634	FMA4A	ROHM	Two DTA114T chips in a SMT-5 package(Dual digital PNP transistor, general purpose)	PNP	-100mA	300mW	-50V	100-600	5P/SMT5	A4
48853	FMMT489TA	ZETEX	ZETEX_ SOT23	NPN	1A	0.50W	50V	100-300	SOT23	
33138	FMMT491	ZETEX	NPN silicon planar medium power transistor	NPN	1A	0.50W	60V	100-300	SOT23	
33139	FMMT493	ZETEX	NPN silicon planar medium power transistor	NPN	1A	0.50W	100V	100-300	SOT23	
33140	FMMT591	ZETEX	PNP silicon planar medium power transistor	PNP	-1A	0.50W	-60V	100-300	SOT23	
33141	FMMT593	ZETEX	PNP silicon planar high voltage transistor	PNP	-1A	0.50W	-100V	100-300	SOT23	
33142	FMMT619	ZETEX	NPN silicon power (switching) transistors	NPN	2.00A	0.62W	50.0V	225	SOT23	
33143	FMMT720	ZETEX	Silicon power (switching) transistors	PNP	-1.5A	0.62W	-40V	450	SOT23	
33144	FZT605	ZETEX	NPN silicon planar medium power darlington transistors	NPN	1.5A	2.0W	120V	2000-10000	SOT223	
33145	FZT651	ZETEX	NPN silicon planar high performance transistors	NPN	3A	2.00W	60V	100-300	SOT223	
33146	FZT653	ZETEX	NPN silicon planar high performance transistor	NPN	2A	2.0W	100V	100-300	SOT223	
37290	FZT655	ZETEX	NPN silicon planar high performance transistor	NPN	1A	2W	150V	20-300	SOT-223	
37545	FZT657	ZETEX	NPN silicon planar medium power transistor	NPN	0.5A	2W	300V	40-50	SOT-223	
33147	FZT705	ZETEX	PNP silicon planar medium power darlington transistor	PNP	-2A	2.0W	-120V	3000-30000	SOT223	
33148	FZT751	ZETEX	PNP silicon planar high performance transistor	PNP	-3A	2.00W	-60V	100-300	SOT223	
37629	FZT757	ZETEX	SOT223 PNP silicon planar high voltage transistor	PNP	-0.5A	2W	-300V		SOT-223	
33149	FZT849	ZETEX	NPN silicon planar high current (high performance) transistor	NPN	7A	3.0W	30V	100-300	SOT223	
44183	FZT851	ZETEX	SOT223 NPN silicon planar high current(high performance) transistors	NPN	6	3	100	100-300	SOT223	
33150	FZT951	ZETEX	SOT223 PNP silicon planar high current (high performance) transistors	PNP	-5A	3.00W	-60V	100-300	SOT223	
47276	FZT953	ZETEX	PNP silicon planar high current transistors	PNP	5A	3W	100V	100-300	SOT-223	

