

Semiconductors-Discretes

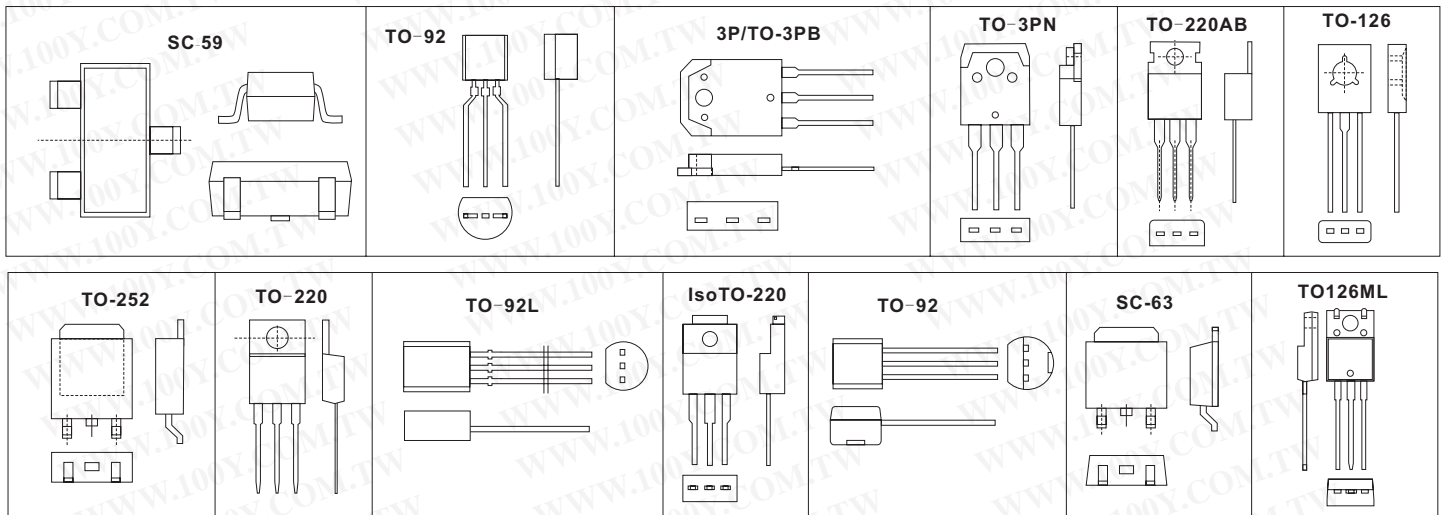
2SC~Series Transistors

Detailed product specifications are available on: us.100y.com.tw

Part No.	Product No.	Manufacturer	Description	Application	Pol	Ic(max)	Pc(max)	Vceo(max)	hfe(min.-max.)	Pins/Package
5858	2SC945PT-A	NEC	NPN silicon power transistor	LF A	NPN	0.1A	0.25W	50V	90-600	3P/TO-92
49206	H1061		Triple diffused silicon NPN transistor		NPN	4A	40W	80V	100-200	3P/TO-220AB
18172	KSC2335	Fairchild	Silicon transistor		NPN	7A	40W	400V	20-80	3P/TO-220
5875	KSC2690AY	Fairchild	NPN silicon power transistor(pb free)	LF PA/HF PA	NPN	1.2A	1.2W	160V	160-320	3P/TO-126
34790	S2000AF	WISCORE	NPN triple diffused planar silicon transistor	Planar silicon transistor	NPN	5A	50W	1500V	8	2-16E3A

2SD~Series Transistors

Detailed product specifications are available on: us.100y.com.tw



Part No.	Product No.	Manufacturer	Description	Application	Pol	Ic(max)	Pc(max)	Vceo(max)	hfe(min.-max.)	Pins/Package
38725	2SB1693	Panasonic	Silicon PNP epitaxial planar type		PNP	0.5a		-20V		SC-59
41520	2SD0965	Panasonic	Silicon NPN epitaxial planar type		NPN	5A	750mW	40V	230 to 380	TO-92
38651	2SD1033Z	NEC	NPN silicon epitaxial transistor MP-3		NPN	2A		150V		TO-252
39335	2SD1047E	SANYO	NPN silicon power transistor		NPN	12A	100W	140V	60-200	3P/TO-3PB
6001	2SD1065R		NPN epitaxial planar silicon transistor		NPN	15A	90W	50V	70-280	3P/TO-3PN
6002	2SD1138C		Biolar power switching transistor	LF HV PA/TV Hout	NPN	2A	1.8W	150V	60-320	3P/TO-220AB
38711	2SD1164Z	NEC	NPN silicon epitaxial transistor MP-3		NPN	1.5A		60V		TO-251
29148	2SD1191	SANYO	NPN epitaxial planar silicon darlington transistors			7A	1.75W	60V		TO-220
17446	2SD1207S/T-AE	SANYO	Large-Current Switching Applications		NPN	2A	1W	60V	40-100	3P/TO-92L
38715	2SD1286Z	NEC	NPN silicon epitaxial transistor MP-3		NPN	1A		60v		TO-252
17075	2SD1410	TOSHIBA	NPN transistor		NPN	6A	25W	250V	2000	3P/TO-220
47588	2SD1411A	TOSHIBA	TOS_Transistor NPN 80Vceo 7A			7A	30W	80V	70-240	TO-220
38849	2SD1583Z	NEC	NPN Silicon epitaxial transistor MP-3		NPN	2A		20V		TO-252
38931	2SD1584Z	NEC	NPN silicon epitaxial transistor MP-3		NPN	3A			60V	TO-252
38691	2SD1585	NEC	NPN silicon power transistor		NPN	7A		60V		IsoTO-220
38707	2SD1588	NEC	NPN silicon epitaxial transistor for low-frequency power amplifiers and low-speed switching		NPN	7A		60V		IsoTO-220
38742	2SD1592	NEC	NPN silicon triple diffused transistor (darlington connection) for high-voltage low-speed switching		NPN	5A		300V		IsoTO-220
6010	2SD1616A	UTC	NPN silicon transistor	LF PA	NPN	1A	0.75W	60V	135-400	3P/TO-92
38720	2SD1630	NEC	NPN silicon darlington power transistor		NPN	1A		60V		TO-126
38730	2SD1692	NEC	NPN silicon darlington transistor		NPN	3A		100V		TO-126
38727	2SD1693	NEC	NPN silicon darlington transistor		NPN	3A		60V		TO-126
38941	2SD1694	NEC	NPN silicon power transistor		NPN	3A		60V		TO-126
38719	2SD1695	NEC	NPN silicon epitaxial transistor (darlington connection) for low-frequency power amplifiers and low-speed switching		NPN	2A		31V		TO-126
35858	2SD1760	ROHM	Power Transistor		NPN	3A	15W	50V	82-390	SC-63
6005	2SD1763A		Transistor	LF PA	NPN	1.5A	20W	160V	60-200	3P/TO-220FP
13615	2SD1913R	SANYO	low-frequency power amplifier applications	LF PA	NPN	3A	2W	60V	70-280	3P/TO220ML

