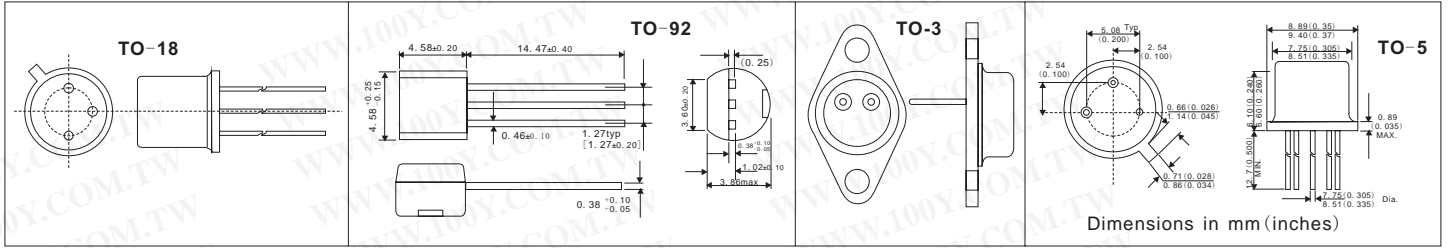


# Semiconductors-Discretes

## 2N~Series Transistors

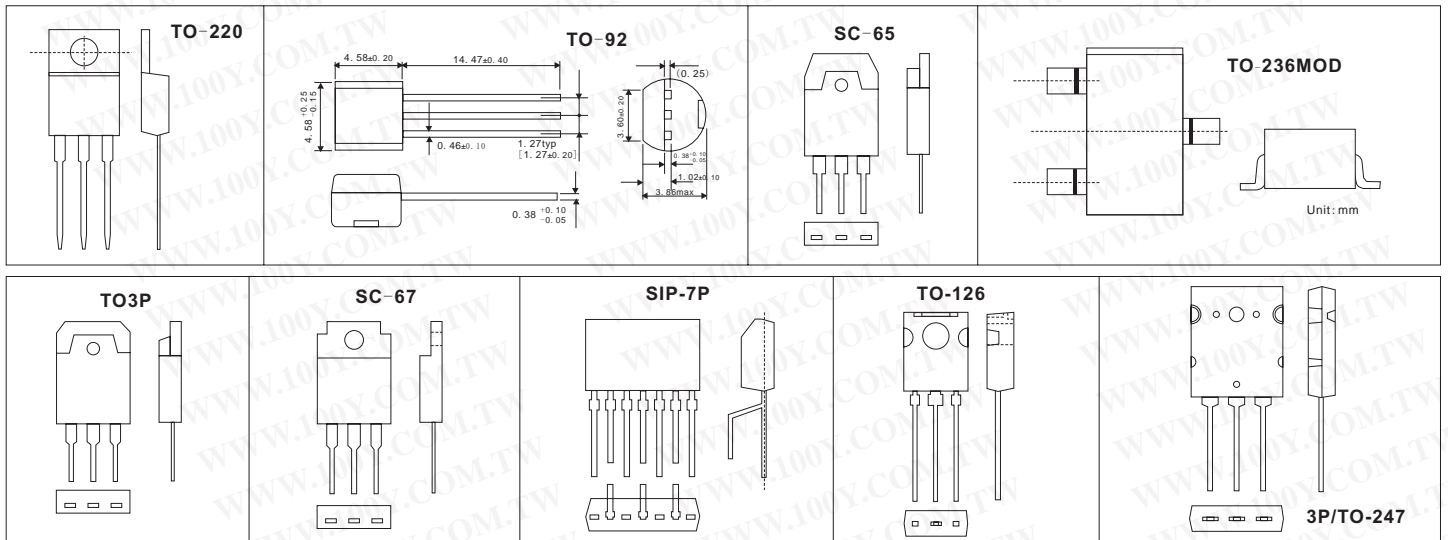
Detailed product specifications are available on: [us.100y.com.tw](http://us.100y.com.tw)



Part No.	Product No.	Manufacturer	Description	Pol	Ic(max)	Pc(max)	Vceo(max)	hfe(min.-max.)	Pins/Package
40064	2N6426	MOTOROLA	NPN Silicon Darlington Transistor	NPN	500mA		40V		TO-92
35811	2N6547	ON-Semi.	NPN silicon power transistor	NPN	15A	175W	400V	12-60	TO-3
16575	2N6678	MOTOROLA	NPN silicon power transistor	NPN	15A	175W	400V	15~40	2P/TO-3
23629	2N670	Infineon	PNP Low-Frequency Transistor	PNP	2A	0.3W	40V		
22260	2N6730		PNP Silicon Power Transistor	PNP	-1A	1W	-100V		TO-92
43827	2N697	Micro-semi	NPN medium power silicon switching transistor	NPN		2W	60V	40-120	TO-5
43822	2N918	ST(SGS)	High-frequency oscillator and amplifier	NPN	50mA	300mW	15V	20-150	TO-72
43638	2N929	SEME LAB	Bipolar NPN Device in a Hermetically sealed TO18 Metal Package	NPN	0.03A	0.3W	45V	40-120	TO-18 (TO206AA)
43640	2N930	Micro-semi	NPN low power silicon transistor	NPN	30mA	600mW	45V	100-600	TO-18 (TO-206AA)
22585	H2N5401	HSMC	PNP epitaxial planar transistor	PNP	-600mA		-150V	50-400	3P/TO-92
29229	UTC2N3055	UTC	Complementary Silicon Power Transistor	NPN	15A	115W	60V	20~70	3P/TO-3

## 2SA~Series Transistors

Detailed product specifications are available on: [us.100y.com.tw](http://us.100y.com.tw)



Part No.	Product No.	Manufacturer	Description	Pol	Ic(max)	Pc(max)	Vceo(max)	hfe(min.-max.)	Pins/Package
5830	2SA1012Y	UTC	PNP silicon power transistor	PNP	-5A	25W	-50V	120~240	3P/TO-220
3612	2SA1015	TOSHIBA	Low frequency amplifier	PNP	-0.15A	0.4W	-50V	70~400	3P/TO-92
5817	2SA1020	UTC	Silicon PNP transistor for power amplifier and power switching applications	P	-2A	0.9W	-50V	70~240	3P/TO-92NL
35816	2SA1085	HITACHI	Silicon PNP Epitaxial	PNP	-0.1A	0.4W	-120V	250-800	TO-92
3890	2SA1102		PNP planar silicon transistor. Audio power amplifier DC to DC converter.	PNP	-8A	80W			SC-65
22165	2SA1162-GR	TOSHIBA	Silicon PNP Epitaxial Type (PCT process)	PNP	-150mA	150mW	-50V	200~400	3P/TO-236MOD
17338	2SA1206	NEC	Silicon transistor	PNP	0.05A	0.6W	15V	50-150	3P/TO-92
35818	2SA1302	MOSPEC	Power transistors	PNP	15A	150W	200V	55-160	3P/TO-247
41137	2SA1303	SanKen	Silicon PNP Epitaxial Planar Transistor (Complement to type 2SC3284)	PNP	-14A	125W	-150V	50min	3P/TO-3
18461	2SA1307		transistor	PNP	-5A	20W	-600V	240	SC-67
42026	2SA1349	TOSHIBA	TOSHIBA Transistor silicon PNP epitaxial Type	PNP	-100mA	400mW	-80V	0.9-1.0	SIP-7P
36442	2SA1357	TOSHIBA	Transistor (strobe flash, audio power amplifier applications)	PNP	-5A	10W	-20V	100-320	TO-126
3892	2SA1358	TOSHIBA	Silicon PNP transistor for audio frequency power amplifier applications	PNP	-1A	1.5W	-120V	80~240	3P/TO-126
35821	2SA1370E-AE	SANYO	High-Definition CRT Display, Video Output Applications	PNP	-0.1A	1.0W	-200V	100-200	TO-92
5831	2SA1516		2SA-Series Transistor	P	-12A	130W	-180V	55~180	3P/TO-3PN
38939	2SA1546	NEC	PNP silicon power transistor	PNP	-0.1A		-250V		TO-126

