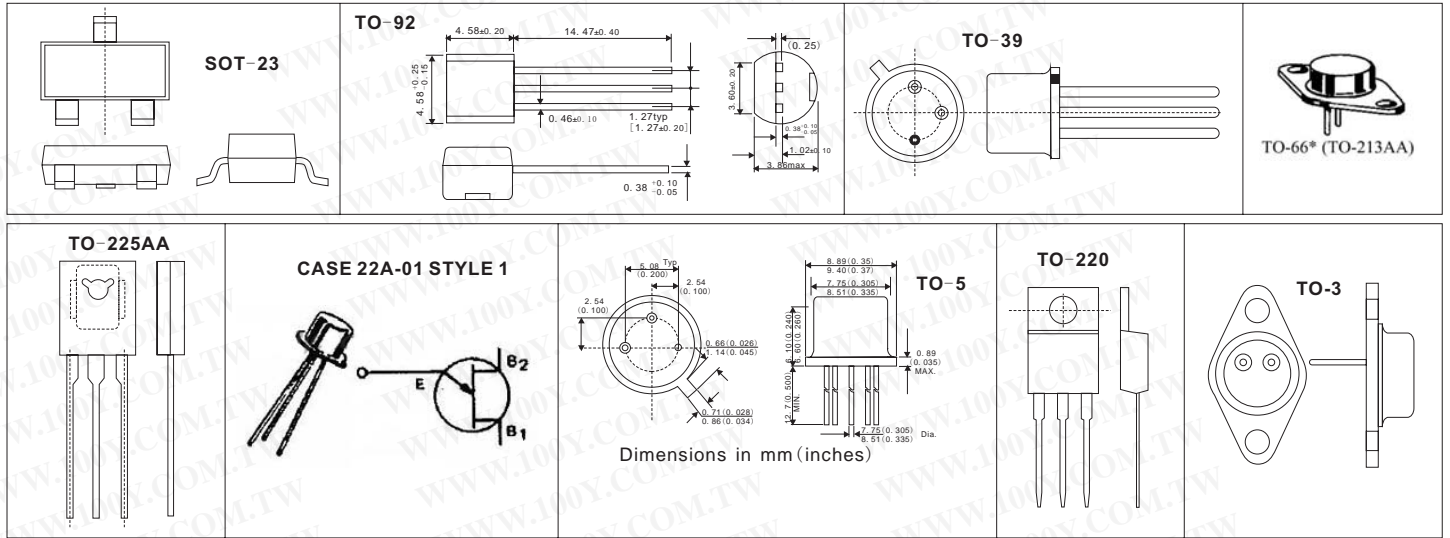


Semiconductors-Discretes

2N~Series Transistors

Detailed product specifications are available on: us.100y.com.tw



Part No.	Product No.	Manufacturer	Description	PoI	Ic(max)	Pc(max)	Vceo(max)	hfe(min.-max.)	Pins/Package
5799	2N4355		Bipolar; Si PNP Low-Power	PNP	500mA	350mW	60V	100-400	TO-5
3882	2N4401	MOTOROLA	Small Signal Transistor	NPN	0.6A	625mW	40V	100-300	3P/TO-92
29524	2N4401	PHILIPS	PHILIPS_2N-Series Transistor	NPN	600mA	625mW	40V	100-300	SOT-23(plastic)
40612	2N4401-TA	Fairchild	NPN General Purpose Amplifier	NPN	0.6A	625mW	40V	100-300	3P/TO-92
5800	2N4403	MOTOROLA	PNP General Purpose Amplifier	PNP	600mA	625mW	40V	100-300	3P/TO-92
32207	2N4403-TA	Fairchild	PNP General Purpose Amplifier	PNP	800mA	625mW	40V	100-300	3P/TO-92
41798	2N4403RLRAG	ON-Semi.	PNP General Purpose Amplifier	PNP	600mA	625mW	40V	100-300	3P/TO-92
43823	2N4427	ST(SGS)	VHF oscillator power amplifier	NPN	0.5A	3.5W	20V	5-200	TO-39
11776	2N4871	MOTOROLA	Silicon unijunction transistor	NPN	50mA	300mW	35V		TO-92
13410	2N4920	ON-Semi.	For driver circuits, switching, and amplifier application	PNP	3A	30W	80V	30-150	3P/TO-225AA
13409	2N4923		For driver circuits, switching, and amplifier application	NPN	3A	30W	80V	30-150	3P/TO-225
43733	2N4931	Micro-semi	PNP high voltage silicon transistor	PNP	200mA	5W	250V	30-200	TO-39(TO-205AD)
43731	2N4948	MOTOROLA	PN Unijunction Transistor	PN	1A	360mW	30V		CASE 22A-01 STYLE 1
43729	2N4949	MOTOROLA	PN Unijunction Transistor	PN	1A	360mW	30V		CASE 22A-01 STYLE 1
43825	2N5109	Micro-semi	Low power transistor	NPN	400mA	2.5W	20V	40-120	TO-39
40204	2N5191	ON-Semi.	Silicon NPN Power Transistor	NPN	4.0A	40W	60V	25-100	TO-225AA
43059	2N5238	Micro-semi	NPN POWER SILICON TRANSISTOR	NPN	10A	5W	170V	10-225	TO-5
37292	2N5320	ST(SGS)	Small signal npn transistor	NPN	1.2A	10W	75V	30-130	TO-39
43747	2N5321	ST(SGS)	Small signal npn transistor	NPN	1.2A	10W	50V	10-250	TO-39
43826	2N5323	ST(SGS)	Small signal pnp transistor	PNP	-1.2A	10W	-50V	10-130	TO-39
43005	2N5333	SEME LAB	Bipolar PNP Device in a Hermetically sealed TO39 Metal Package	PNP	2A	1W	80V	30-120	TO39 (TO205AD)
5803	2N5401		Amplifier Transistor	NPN	-600mA	625mW	-150V	60-240	3P/TO-92
41802	2N5401G	ON-Semi.	Amplifier Transistor	PNP	600mA	625mW	150V	60-240	3P/TO-92
22629	2N5416	ST(SGS)	Silicon pnp transistor	PNP	-1A	10W	-350V	30-120	3P/TO-39
29251	2N5550	MOTOROLA	Amplifier Transistor	NPN	600mA	625mW	140V	60-250	TO-92
5804	2N5551	MOTOROLA	Amplifier Transistor	NPN	600mA	625mW	160V	80-250	TO-92
43060	2N5667	Micro-semi	NPN POWER SILICON SWITCHING TRANSISTOR	NPN	5A	15W	300V	10-120	TO-5
17613	2N5680	MOTOROLA	Silicon pnp transistor	PNP	1A	10W	120V	40-150	TO-39
28656	2N5680	ST(SGS)	Silicon pnp transistor	P	1A	10W	100V	40-150	TO-39 Metal Case
39930	2N5777		Silicon npn photo detector	NPN	250mA		40V		TO-92
43639	2N5781	SEME LAB	Bipolar PNP Device	PNP	3.5A	10W	80V	20-100	TO39 (TO205AD)
42104	2N5817		complementary silicon af medium power transistor	PNP	0.75A	625mW	40V		3P/TO-92
35793	2N6027	ON-Semi.	Programmable Unijunction Transistor			300 mW	40V		TO-92 (TO-226AA)
35796	2N6028	ON-Semi.	Programmable Unijunction Transistor			300 mW	40V		TO-92 (TO-226AA)
15721	2N6042	MOSPEC	Darlington Coplementary Silicon Power Transistor	PNP	10A	75W	100V		TO-220
40193	2N6043	MOSPEC	Darlington Coplementary Silicon Power Transistor	NPN	8A	80W	60V		3P/TO-220
15722	2N6045	MOSPEC	Darlington Coplementary Silicon Power Transistor	NPN	10A	75W	100V	1000-20000	TO-220
43003	2N6193	Micro-semi	PNP medium power silicon transistor	PNP	5.0A	10W	100V	40-240	TO-39(TO-205AD)
33038	2N6284	MOTOROLA	Darlington Complementary Silicon Power Transistor	NPN	20A	160W	100V	2400	2P/TO-3
17079	2N6287	ST(SGS)	Power Darlington Transistor	PNP	20A	160W	100V	750-18000	TO-3
23628	2N6300		PNP darlington power silicon transistor	PNP	8A	75	60V	25-350	TO-66(TO-213AA)
43086	2N6303	Micro-semi	Silicon PNP Power Transistor	PNP	1.5 Adc	6W	-80V	30-150	TO-5
31854	2N6350		NPN darlington power silicon transistor	NPN	1.0A		5.0V	5.0-25	TO-33
36614	2N6385	MOTOROLA	NPN power silicon transistor	NPN	10A				TO-3

