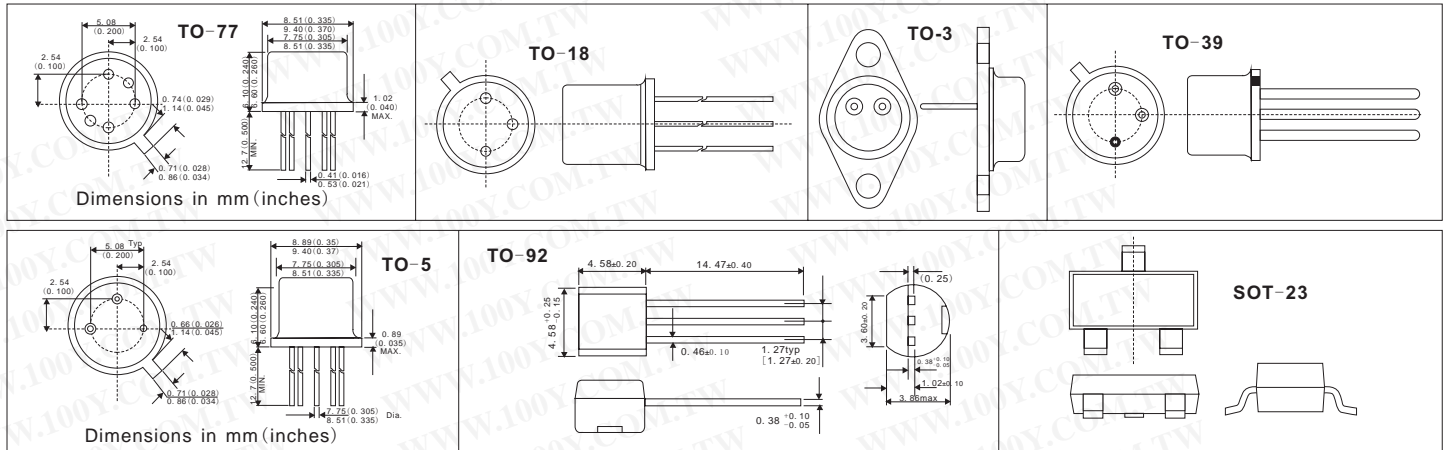


# Semiconductors-Discretes

## 2N~Series Transistors

Detailed product specifications are available on: [us.100y.com.tw](http://us.100y.com.tw)



Part No.	Product No.	Manufacturer	Description	Pol	Ic(max)	Pc(max)	Vceo(max)	hfe(min.-max.)	Pins/Package
32608	2N2907A	ST(SGS)	PNP switching transistor	PNP	-0.6A	0.4W	-40V		3P/TO-18
43813	2N2915	SEME LAB	Dual NPN planar transistor	NPN	30	1.5W	45V	60-240	TO-77
43817	2N2920	SEME LAB	Dual npn planar transistor	NPN	30	1.5W	60V	40-600	TO-77
3715	2N2955	UTC	Silicon PNP Transistor	PNP	-15A	115W	-60V	20~70	2P/TO-3
16579	2N3019	MOTOROLA	Low power NPN silicon transistor	N	1A	0.8W	80V		3P/TO-39
35760	2N3053	SEME LAB	Medium power silicon npn planar transistor	NPN	0.7A	5W	40V	50-250	TO-39
3713	2N3055	ST(SGS)	Complementary Silicon Power Transistor	NPN	15A	115W	60V	20~70	3P/TO-3
43094	2N3420	Micro-semi	NPN medium power silicon transistor	NPN	5A	15W	60V	15-120	TO-5
42899	2N3439	ST(SGS)	Silicon npn transistor	NPN	1A	10W	350V	30-160	TO-39
13302	2N3440	ST(SGS)	Silicon npn transistor	NPN	1A	10W	250V	40~160	3P/TO-39
43469	2N3467	Micro-semi	PNP silicon switching transistor	PNP	1A	5W	40V	25-120	TO-39 (TO-205AD)
42897	2N3499	Micro-semi	NPN silicon transistor	NPN	500mA	5W	100V	75-120	TO-39(TO-205AD)
43032	2N3500	Micro-semi	NPN silicon transistor	NPN	300mA	5W	150V	15-300	TO-39(TO-205AD)
42900	2N3503	SEME LAB	PNP silicon planar epitaxial transistor	PNP	0.07nA	3W	-60V	50-300	TO-5
43172	2N3504	SEME LAB	PNP silicon planar epitaxial transistor	PNP	10nA	1.3 W	-45V	50-300	TO-18
43824	2N3553	PHILIPS	Silicon planar epitaxial overlay transistor	NPN	1A	7W	40V	10-200	TO-39
5779	2N3569		Switching Transistor	N	40mA	300mW	80V	100~300	3P/TO-105(TO-18)
43637	2N3634	Micro-semi	PNP silicon amplifier transistor	PNP	1A	5W	140V	25-150	TO-39(TO-205AD)
43461	2N3635	Micro-semi	PNP silicon amplifier transistor	PNP	1A	5W	140V	55-300	TO-39 (TO-205AD)
43463	2N3637	Micro-semi	PNP silicon amplifier transistor	PNP	1A	5W	175V	55-300	TO-39 (TO-205AD)
43667	2N3700	ST(SGS)	General purpose amplifier	NPN	1A	1.8W	80V	15-300	TO-18
14578	2N3704	Fairchild	NPN General Purpose Amplifier	N	80A	36W	30V	100-300	3P/TO-92(A)
43093	2N3720	Micro-semi	Silicon PNP Power Transistor	PNP	1.0 Adc	1W	60 Vdc	25-180	TO-5
43738	2N3725	ST(SGS)	High voltage, high current switch	NPN	1A	3.5W	50V	3	TO-39
43735	2N3743	Micro-semi	PNP high voltage silicon transistor	PNP	200mA	5W	300V	30-200	TO-39(TO-205AD)
35769	2N3771	ST(SGS)	High power npn silicon transistor	NPN	30A	150W	40V	15-60	TO-3
5780	2N3772	MOSPEC	High Power NPN Silicon Power Transistor	N	20A	150W	60V	15~60	2P/TO-3
16578	2N3773	MOTOROLA	Complementary Silicon Power Transistor	N	16A	150W	140V	16-60	2P/TO-3
31662	2N3773	MOSPEC	Complementary Silicon Power Transistor	NPN	16A	150W	140V	15-60	2P/TO-3
43818	2N3866	PHILIPS	Silicon planar epitaxial overlay transistor	NPN	0.4A	3.5W	30V	10-200	TO-39
43053	2N3867	Micro-semi	PNP switching silicon transistor	PNP	3A	10W	40V	25-200	TO-5
43073	2N3868	Micro-semi	PNP switching silicon transistor	PNP	3A	10W	60V	20-200	TO-5
5765	2N3904	MOTOROLA	Small Signal Transistor	N	200mA	350mW	40V	100~300	3P/TO-92
41795	2N3904G	ON-Semi.	General Purpose Transistor	NPN	200mA	625mW	60V	100~300	TO-92
42911	2N3904L	UTC	NPN General Purpose Amplifier	NPN	200mA	625mW	40V	100~300	3P/TO-92
36445	2N3905	N.S	PNP General Purpose Amplifier	PNP					3P/TO-92
12203	2N3905	Fairchild	PNP General Purpose Amplifier	PNP	100mA	625mW	40V	50min.	3P/TO-92
1799	2N3906	MOTOROLA	General Purpose Transistor	P	0.2A	625mW	40V	100~300	3P/TO-92
41796	2N3906RLRM	ON-Semi.	General Purpose Transistor	PNP	200mA	625mW	40V	100~300	3P/TO-92
43668	2N3931	SEME LAB	Bipolar PNP Device	PNP	0.1A	0.7W	180V	100	TO-39
43134	2N3946	Fairchild	NPN Small Signal General Purpose Amplifier or Switch	NPN	200mA	1.2W	40V	20-150	TO-18
5784	2N4033		PNP silicon general purpose transistor	P	500mA	500mW	86V	70(min)	3P/TO-39
43333	2N4036	ST(SGS)	Medium-speed switch	PNP	-1A	7W	-65V	20-140	3P/TO-39
5796	2N4037	MOTOROLA	PNP complementary silicon transistor	P	1A	7W	40V	50~250	3P/TO-5
43075	2N4150	Micro-semi	NPN power silicon transistor	NPN	10A	5W	70V	50-200	TO-5
43095	2N4236	Micro-semi	NPN power amplifier silicon transistor	NPN	1A	6W	80V	20-150	TO-39(TO-205AD)
5798	2N4354		Bipolar Transistor	P	500mA	350mW	60V	50~500	TO-5

